

ePanorama.net

[Links](#)
[Circuits](#)
[Documents](#)
[Forum](#)
[Software](#)
[Blog](#)
[RFC](#)
[Toolbox](#)
[Search](#)
[| Index | Schematics | Acronyms | Discussion | Mail to a friend | Post a message |](#)

Search this site

 For Spanish version click [here](#)

Parallel port interfacing made easy: Simple circuits and programs to show how to use PC parallel port output capabilities

Copyright Tomi Engdahl 1996-2010

Index

- [Introduction](#)
- [How to connect circuits to parallel port](#)
- [Control program for DOS \(and Win9x\)](#)
- [Parallelport programming in DOS](#)
- [Parallel port controlling in Windows programs](#)
- [Parallel port controlling in Linux](#)
- [Controlling parallel port through web](#)
- [Controlling some real world electronics](#)
- [Building your own relay controlling circuits](#)
- [Mains power controlling with parallel port](#)
- [Compact 8 channel output driver](#)
- [Links to parallel port output circuits](#)
- [Ready made control software](#)
- [Reading the input pins in parallel port input pins](#)
- [Parallel port software registers technical summary](#)
- [Notes on parallel port operation during computer boot-up](#)
- [Notes on different parallel port versions](#)
- [Notes on PCI bus parallel port cards](#)
- [Notes on USB parallel port adapters](#)
- [Other documents worth to check](#)

Introduction

PC parallel port can be very useful I/O channel for connecting your own circuits to PC. The PC's parallel port can be used to perform some very amusing hardware interfacing experiments. The port is very easy to use when you first understand some basic tricks. This document tries to show those tricks in easy to understand way.

WARNING: PC parallel port can be damaged quite easily if you make mistakes in the circuits you connect to it. If the parallel port is integrated to the motherboard (like in many new computers) repairing damaged parallel port may be expensive (in many cases it is cheaper to replace the whole motherboard than repair that port). Safest bet is to buy an inexpensive I/O card which has an extra parallel port and use it for your experiment. If you manage to damage the parallel port on that card, replacing it is easy and inexpensive.

NOTE: The I/O port level controlling details here has proven to work well with parallel ports on the PC motherboard and expansion cards connected to ISA bus. The programming examples might not work with PCI bus based I/O cards (they can use different hardware and/or I/O addresses, their drivers make them just look like parallel ports to "normal" applications). The programming examples do not work with USB to parallel port adapters (they use entirely different hardware, their drivers make them to look like normal parallel port to operating system "normal" applications).

DISCLAIMER: Every reasonable care has been taken in producing this information. However, the author can accept no responsibility for any effect that this information has on your equipment or any results of the use of this information. It is the responsibly of the end user to determine fitness for use for any particular purpose. The circuits and software shown here are for non commercial use without consent from the author.

How to connect circuits to parallel port

PC parallel port is 25 pin D-shaped female connector in the back of the computer. It is normally used for connecting computer to printer, but many other types of hardware for that port is available today.

Not all 25 are needed always. Usually you can easily do with only 8 output pins (data lines) and signal ground. I have presented those pins in the table below. Those output pins are adequate for many purposes.

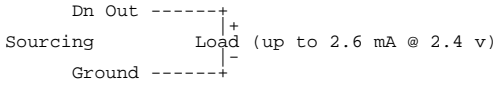
pin	function
2	D0
3	D1
4	D2
5	D3
6	D4
7	D5
8	D6
9	D7

Pins 18,19,20,21,22,23,24 and 25 are all ground pins.

Those datapins are TTL level output pins. This means that they put out ideally 0V when they are in low logic level (0) and +5V when they are in high logic level (1). In real world the voltages can be something different from ideal when the circuit is loaded. The output current capacity of the

parallel port is limited to only few milliamperes.

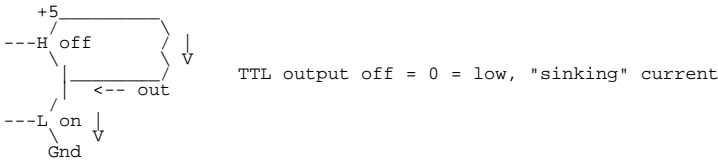
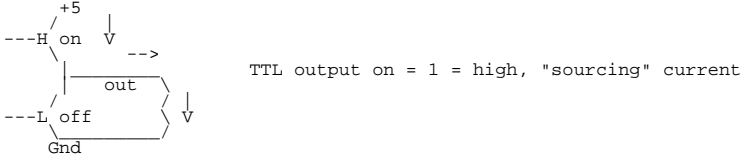
Here is a simple idea how you can connect load to a PC parallel port data pins.



This is not the only way to connect things to a parallel port.

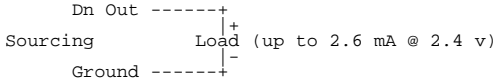
The parallel port data pins are TTL outputs, that can both sink and source current. In ordinary parallel port implementations the data outputs are 74LS374 IC totem-pole TTL outputs which can source 2.6 mA and sink 24 mA.

Regular TTL outputs basically consist of a two "stacked" transistor in series between +5 volts and ground, with the output coming from the connection between them. This is called a "totem pole output". At any given time one of these transistors is conducting and the other is not. To pull the output "high", the transistor from +5 to the output conducts (H), which "sources" positive current from the output to ground (that is, an external device between the output and ground will get power). To pull the output low, only the lower transistor (L) conducts, "sinking" current to ground; an external device between +5 volts and the output can be energized.



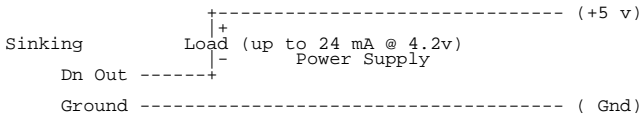
The outputs are designed so that they give at least 2.4V at 2.6 mA load. This 2.6 mA figure is for ordinary LS-TTL circuits used, the LSI implementations used in many computers can give more or less. For example quite popular (few years ago) UM82C11-C parallel port chip can only source 2 mA.

Simple current sinking load connection:



When taking current from PC parallel port, keep the load low, only up to few milliamperes. Trying to take too much current (for example shorting pins to ground) can fry the parallel port. I have not killed any parallel port (yet) in this method, but I have had in cases where too much load has made the parallel port IC very hot. Be careful.

If you have an external +5 volt supply, you have another option for connection: use the Data Out pins to sink up to 24 mA from your +5 volt supply. This can be made with a circuit like this:



The load gets power then you have external +5V on and the printer port data pin set to 0. This circuit gives you capability of driving more current than the "sinking" approach. You need to be careful with this circuit, because with this circuit you can easily fry the parallel port if you do things wrong. My advice is to be very careful with this type of circuit and make sure that the external +5V power supply gets turned off when computer gets turned off (all printer ports might not like getting +5V though the load to printer port when they are not powered). The most convenient source "external +5V" might be from some other port on your PC (USB, joystick, keyboard/mouse etc. port).

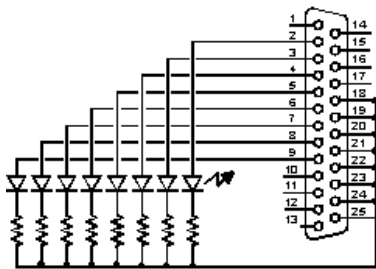
I have used mostly "sinking" type circuits and this article is concentrated on using them.

Simple LED driving circuits

You can make simple circuit for driving a small led through PC parallel port. The only components needed are one LED and one 470 ohm resistors. You simply connect the diode and resistor in series. The resistor is needed to limit the current taken from parallel port to a value which light up acceptably normal LEDs and is still safe value (not overloading the parallel port chip). In practical case the output current will be few milliamperes for the LED, which will cause a typical LED to somewhat light up visibly, but not get the full brightness.

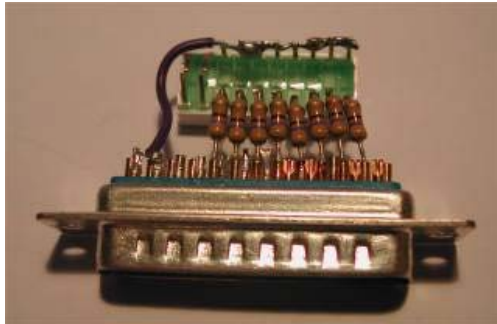


Then you connect the circuit to the parallel port so that one end of the circuit goes to one data pin (that one you wish to use for controlling that LED) and another one goes to any of the ground pins. Be sure to fit the circuit so that the LED positive lead (the longer one) goes to the datapin. If you put the led in the wrong way, it will not light in any condition. You can connect one circuit to each of the parallel port data pins. In this way you get eight software controllable LEDs.



The software controlling is easy. When you send out 1 to the datapin where the LED is connected, that LED will light. When you send 0 to that same pin, the LED will no longer light.

Here are two photos of circuit above I have built:



In those circuits I have wired the ground wire only to one ground pin (it works also well, you can use any of the ground pins).

Technical specifications of parallel port pins

The IBM specifications says according <http://www.epanorama.net/counter.php?url=http://www.linux.com/howtos/IO-Port-Programming-6.shtml> the following: The data output pins (pins 2-9) sink 24 mA, source 15 mA, and their high-level output is min. 2.4 V. The low state for both is max. 0.5 V. Pins 1, 14, 16, and 17 (the control outputs) have open collector drivers pulled to 5 V through 4.7 kilohm resistors (sink 20 mA, source 0.55 mA, high-level output 5.0 V minus pullup). Non-IBM parallel ports probably deviate from this standard.

Warning: Be careful with grounding. You can break parallel ports by connecting devices to them when PC is powered on. It is not a good idea to short the pins to ground or +5V, this can damage the port. It might be a good thing to use a parallel port not integrated on the motherboard for things like this. (You can usually get a second parallel port for your machine with a cheap standard 'multi-I/O' card)

Control program for DOS (and Win9x)

The following program is an example how to control parallel port LPT1 data pins from your software. This example directly controls the parallel port registers, so it does not work under some multitasking operating system which does not allow that. It works nicely under MSDOS. You can look the Borland Pascal 7.0 code (should compile also with earlier versions also) and then download the compiled program [LPTOUT.EXE](#). This has worked nicely for me in DOS systems and Windows 95/98 systems. On recent testings this program has worked unreliably on some Windows 2000 systems.

```
Program lpt1_output;
Uses Dos;
Var
  addr:word;
  data:byte;
  e:integer;
Begin
  addr:=MemW[$0040:$0008];
  Val(ParamStr(1),data,e);
  Port[addr]:=data;
End.
```

How to use the program

LPTOUT.EXE is very easy to use program. The program takes one parameter, which is the data value to send to the parallel port. That value must be integer in decimal format (for example 255). Hexadecimal numbers can also be used, but they must be preceded by \$ mark (for example \$FF). The program does not have any type of error checking to keep it simple. If your number is not in correct format, the program will send some strange value to the port.

NOTE: I have found out that this program does not work reliably on some Windows 2000 systems I have tested on this. I don't know what is causing this specific problem (other than you should not try to access hardware directly on Windows NT based system..). I have not tested this program with Windows XP.

Example how to use the program

LPTOUT 0

Set all datapins to low level.

LPTOUT 255

Set all datapins to high level.

LPTOUT 1

Set datapin D0 to high level and all other datapins to low level.

How to calculate your own values to send to program

You have to think the value you give to the program as a binary number. Every bit of the binary number control one output bit. The following table describes the relation of the bits, parallel port output pins and the value of those bits.

Pin	2	3	4	5	6	7	8	9
Bit	D0	D1	D2	D3	D4	D5	D6	D7
Value	1	2	4	8	16	32	64	128

For example if you want to set pins 2 and 3 to logic 1 (led on) then you have to output value $1+2=3$. If you want to set on pins 3,5 and 6 then you need to output value $2+8+16=26$. In this way you can calculate the value for any bit combination you want to output.

Making changes to source code

You can easily change the parallel port number in the source code by just changing the memory address where the program reads the parallel port address. For more information, check the following table.

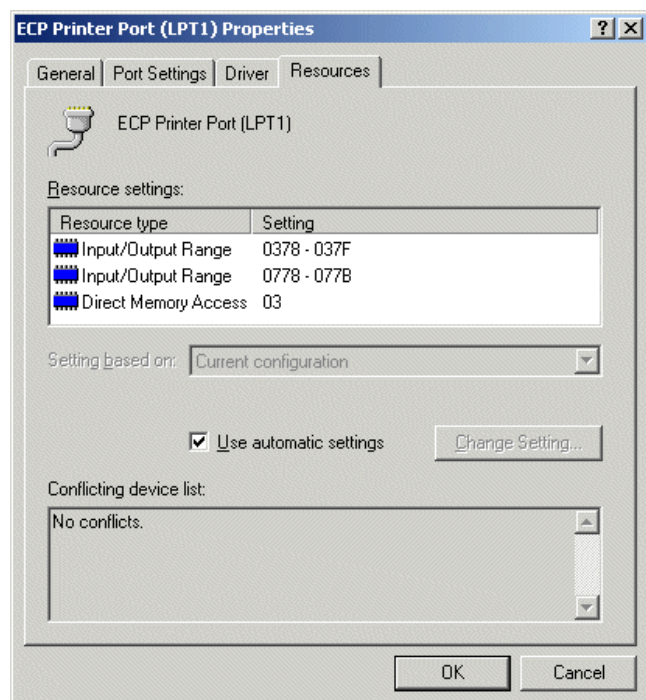
Format of BIOS Data Segment at segment 40h:

Offset	Size	Description
08h	WORD	Base I/O address of 1st parallel I/O port, zero if none
0Ah	WORD	Base I/O address of 2nd parallel I/O port, zero if none
0Ch	WORD	Base I/O address of 3rd parallel I/O port, zero if none
0Eh	WORD	[non-PS] Base I/O address of 4th parallel I/O port, zero if none

For example change the line `addr:=MemW[$0040:$0008]`; in the source code to `addr:=MemW[$0040:$000A]`; if you want to output to LPT2.

Instead of trying to read the address from the DOS information data block you can always use the I/O address fixed to source code. The LPT1 port is typically at I/O-address 378h or 3BC.

To get to know the port address to use you can use for example the method: On modern Windows systems (I tested in Windows 2000) you can get to know the parallel port I/O address through device manager. First open the device manager (start - settings - control panel - system - hardware - device manager). Then select there the parallel port you are interested from Ports (COM & LPT) section. With mouse right button you can get menu where you select Properties. From there select Resources where you should see a screen like this:



The details in this image are from the parallel port built into the motherboard of my PC.

Parallelport programming in DOS

The following examples are short code examples how to write to I/O ports using different languages. In the examples I have used I/O address 378h which is one of the addresses where parallel port can be.

The typical parallel port I/O address configurations seen on PCs with ISA bus:

- LPT1: 3BCh, LPT2: 378h, LPT3: 278h
- LPT1: 378h, LPT2: 278h
- LPT1: 378h

Those are the typical I/O addresses used in ISA bus based systems. In PCI bus based systems the LPT1 port on motherboard is typically at I/O-address 378h or 3BCh. If the systems has extra LPT ports on multi-IO card in PCI bus, those extra LPT ports work differently than the "normal parallel port" described in this document, and the same control methods can't be applied to them (they are on different I/O addresses and could use different control register system that could be card specific, the driver software that comes with the card makes them to look like LPT ports for the applications using standard operating system printing routines).

The following examples are for DOS system (they might or might not work on other systems). The code examples are designed to be used with LPT1 port that resides in I/O address 378h.

Assembler

```
MOV DX,0378H
MOV AL,n
OUT DX,AL
```

Where n is the data you want to output.

BASIC

```
OUT &H378, N
```

Where N is the number you want to output.

C

```
outp(0x378,n);
```

or

```
outportb(0x378,n);
```

Where N is the data you want to output. The actual I/O port controlling command varies from compiler to compiler because it is not part of standardized C libraries.

Here is an example source code for Borland C++ 3.1 compiler:

```
#include <stdio.h>
#include <dos.h>
#include <conio.h>

/*****
/*This program set the parallel port outputs*/
*****/

void main (void)
{
  clrscr(); /* clear screen */
  outportb(0x378,0xff); /* output the data to parallel port */
  getch(); /* wait for keypress before exiting */
}
```

Using DOS debug to access parallel port

DOS program Debug is a simple 8088 assembler that comes with DOS operating system (comes with DOS utilities on most modern Windows systems as well). Debug allows debugging of simple 16-bit DOS applications (not useful to modern 32-bit Windows programs). Debug program has several built-in debugging tool commands, including commands to read and write I/O ports.

o- writes one byte of data to the specified I/O port
SYNTAX o port value
port - specifies the port address. The port address can be an 8 or a 16 bit value.
value - specified the value to write to this I/O-port. This value is 8 bit value.

i- reads one byte of data from the specified I/O port
SYNTAX i port
port - specifies the port address. The port address can be an 8 or a 16 bit value.

Examples:

If you type

```
o 3bc ff
```

debug will output value ff (hex) to port 3bc (hex).

If you type

```
i 3bc
```

debug will display 1 byte of data from the parallel port.

Parallel port controlling in Windows programs

Writing programs to talk with parallel port was pretty easy in old DOS days and in Win95/98 too. We can use Inporb and outportb or _inp() or _Outp functions in our program without any problem if we are running the program on Dos or WIN95/98. But entering to the new era of NT clone operating systems like WIN NT4, WIN2000, WINXP, all this simplicity goes away.

Direct parallel port controlling is possible under Windows 3.x and Windows 95 directly from 16 bit application programs and DLL libraries. So you can use the C example above in Windows 3.x and Windows 95 if you make your program 16 bit application. If you want to control parallel port from Visual Basic or Delphi then take a look at the libraries at [Parallel Port Central](http://www.epanorama.net/counter.php?url=http://www.lvr.com/parport.htm) at [http://www.lvr.com/parport.htm](http://www.epanorama.net/counter.php?url=http://www.lvr.com/parport.htm).

Direct port controlling from application is not possible under Windows NT and to be able to control the parallel port directly you will need to write some kind of device driver to do this. You can find also this kind of drivers from [Parallel Port Central](http://www.epanorama.net/counter.php?url=http://www.driverlinx.com/Download/DIPortIO.htm) and [Inpout32.dll for WIN NT/2000/XP](http://www.epanorama.net/counter.php?url=http://www.driverlinx.com/Download/DIPortIO.htm).

[Driverlinx PortIO](http://www.epanorama.net/counter.php?url=http://www.driverlinx.com/Download/DIPortIO.htm) at [http://www.driverlinx.com/Download/DIPortIO.htm](http://www.epanorama.net/counter.php?url=http://www.driverlinx.com/Download/DIPortIO.htm) is a worth to check driver for accessing I/O ports directly under Windows 95/NT (works also well with Windows 2000). This free software comes with example programs

(both executable and source code available) how to access I/O ports from Visual Basic and Microsoft Visual C programs.

The I/O Control Using Using Visual Basic web page at <http://www.epanorama.net/counter.php?url=http://www.southwest.com.au/~jfuller/vb/vbout.htm> describes how to make a simple Visual Basic application that controls PC parallel port.

If you are looking for a ready made software, then take a look at Kemo M125 kit web page at <http://www.epanorama.net/counter.php?url=http://www.kemo-electronic.com/en/module/m125/>. Kemo relay module M125 is designed for switching up to 8 different appliances, lamps or motors according to a computer program (up to 40V and loads up to 0,4A DC or 0,2A AC). The module is operated at the printer port LPT1 in the same way as my parallel port controlling circuit examples (in this module there is one solid state relay connected for each of those 8 data output pin on parallel port). Kemo M125 kit information page has control software available for download. Those software allows controlling of outputs manually and timed operation. Windows software runs in WIN9x, WIN2K and WINXP. There is also programming C source code example available.

Parallel port relay relay board kit described at <http://www.epanorama.net/counter.php?url=http://electronics.com/kit/complete/elec/ck1601.htm> comes with Windows and DOS control software that can be downloaded at the kit page. This software runs at Windows 9x/2000/ME/XP. Information on DOS utilities can be found at <http://www.epanorama.net/counter.php?url=http://www.qkits.com/serv/qkits/diy/pages/QK74.asp>.

Parallel port monitors page at <http://www.epanorama.net/counter.php?url=http://neil.fraser.name/software/lpt/> has programs that allow you to set and monitor parallel port pin states. The software is available for few different versions that work on Windows 98 / ME / NT / 2000 / XP and DOS / Windows 3.1 / 95 / 98 / ME systems. The software is written using Visual Basic and Euphoria programming languages and comes with source code.

[Beyond Design PC Serial and Parallel Port Software and Interfaces software VBPortTest](http://www.epanorama.net/counter.php?url=http://www.beyond-designs.com/PC_ports.htm) at http://www.epanorama.net/counter.php?url=http://www.beyond-designs.com/PC_ports.htm is an useful utility. VBPortTest parallel port utility is designed to help test and debug parallel port interfaces. Allows access to the three registers (data, status, and control) associated with the PC standard parallel port (SPP). The user can read and write the data and control registers. The program continually reads the status register (the status register is read-only) . Individual register bits are displayed on LEDs along with the hex value for the entire data register. In write mode, the user can toggle individual bits by clicking on the corresponding LED. Hex values can be entered on the keyboard. Bit, byte and strobed byte write modes are possible. Online Help with useful parallel port reference material includes signal descriptions and Centronics handshake timing waveform. VBPortTest is available for download as freeware. Windows 98, ME, and XP compatible.

If you want to do programming of parallel port in Windows with C/C++ then one way to go is to use using the inport32.dll and the free borland C compiler. For more info, you can check out <http://hytherion.com/beattidp/comput/pport.htm> and <http://csjava.occ.cccd.edu/~gilberts/bcc55.html>. The [second link](#) was a very nice, step by step guide as to how to do things.

Standard Windows API interface

Standard Windows API for parallel port programming is targeted for sending out characters to printer onneded to parallel port. It is not designed for contrlling single pins on or off.

Using the parallel port for digital output can be made to work with the normal Windows API with a simple hardware hack. The main trick is to tie pins 11(Busy) and 12 (Paper Error) to ground. Otherwise, the hardware driver will think the printer it is talking to is busy or experiencing an error and will not output any data.

Just send one character to parallel port, and the Windows wii send the value of that character to printer port data pins, plus generate one pulse to strobe line. The port will maintain the last value written to it until another value is written or until the computer is powered down or new data is sent to port. If you output more than one byte at a time the driver will send them to the port in sequence and toggle the Strobe line (line 1) off and on for each byte. The timing involved varies somewhat from one computer to the next.

This means that in a Windows environment we can output data to the parallel port. You can send data even through Windows command line with copy command like this:

```
copy somefile.bin LPT1
```

This will send the contents of file somefile.bin to the parallel port. The value of the last byte in the file will be left as the state of the parallel port after the command execution.

Besides need for the hardware hack, there are other limitations on the Windows API method. Windows API does not have built in support for input operations nor reading back the last sent value. Even though the parallel port hardware supports it, the software driver does not.

Parallel port controlling in Linux

Linux will allow access to any port using the ioperm syscall. Here is some code parts for Linux to write 255 to printer port:

```
#include <stdio.h>
#include <stdlib.h>
#include <unistd.h>
#include <asm/io.h>

#define base 0x378          /* printer port base address */
#define value 255         /* numeric value to send to printer port */

main(int argc, char **argv)
{
    if (ioperm(base,1,1))
        fprintf(stderr, "Couldn't get the port at %x\n", base), exit(1);
    outb(value, base);
}
```

Save the source code to file lpt_test.c and compile it with command:

```
gcc -O lpt_test.c -o lpt_test
```

The user has to have the priviledges to have access to the ports for the program to run, so you have to be root to be able to ron this kind of programs without access problems. If you want to make a program which can be run by anybody then you have to first set the owner of the program to be root (for example do compilation when yhou are root), give the users rights to execute the program and then set the program to be always executed with owner (root) rights instead of the right of the user who runs it. You can set the programn to be run on owner rights by using following command:

```
chmod +s lpt_test
```

Notes on source code: Some people have reported that for some reason this code does not work on theiur systems. If you have problems in getting this to work, try tho following chagest to code: replace the lines "#include <unistd.h>"; and "#include <asm/io.h>" with line "#include <sys/io.h>" and then replace line "#define base 0x378" with "#define base 0x0378".

If you want a more useful program, then download my [lptout.c parallel port controlling program source code](#). That program works so that you can

give the data to send to parallel port as the command line argument (both decimal and hexadecimal numbers supported) to that program and it will then output that value to parallel port. You can compile the source code to **lptout** command using the following line to do the compilation:

```
gcc -O lptout.c -o lptout
```

After you have compiled the program you can run it easily. For example running **./lptout 0xFF** will turn all data pins to 1 and running **./lptout 0x00** will turn all data pins to 0.

In some systems the I/O port addresses can be different than one used in my example program. In this case you need to modify the address in `#define` base line. There are different ways to know the port address. First you could try your graphical configuration tools to look for this information. Those tools and how to use them vary quite much between different Linux distributions. There are also some command line tools you can try:

- In many linux systems you can get information on I/O devices and ports they use with command "cat /proc/ioports". This list should include your parallel port or parallel ports in it. The first parallel port (port in motherboard) typically has name parport0. There are some cases where you might not see your device in your list or sometimes you see the same name twice (usually the first one is the right one).
- In some systems you might have additional parallel ports on I/O cards in the PCI bus. In many new Linux systems you can run "lspci -v | more" to get information of each device on your PCI bus (this should tell make and model, interrupt and port and memory block assignments).

I have also written a more feature rich program to control. portcontrol is a simple general purpose I/O port control program for Linux. It allows you to write and read the supported I/O ports. The software allows writing specified value to port, reading value at given I/O address and printing it out to screen in different formats and bit-level manipulation of the port data. The portcontrol software is available as [portcontrol.tar](#) package that includes the source code, instructions for compiling/installing and instructions for use. For more details check the [README](#) and the [portcontrol.c source code](#).

Simple Linux GUI

I have written a simple GUI program example for controlling parallel port on Linux system. My [simple parallel port control GUI](#) is written in such way that it allows you to control parallel port pins. To see what it looks check the [screenshot](#).

This simple control GUI is written in such way that it runs on both GNOME and KDE windowing systems. The program is written as bash script that uses zenity and/or kdialog programs to do the GUI menus itself. The program expects that you have the portcontrol program installed in your Linux system to /usr/local/sbin/portcontrol with suitable rights that you can run it.

The program is intended to be a simple example that you can modify for your own uses. Just download [menu.sh](#) and start testing yourself.

Programming tips

If you want to learn more about I/O port programming I recommend to read [Linux I/O port programming mini-HOWTO](#). Here are few tips from that document:

- Routines for accessing I/O ports are in /usr/include/asm/io.h (or linux/include/asm-i386/io.h in the kernel source distribution). The routines there are inline macros, so it is enough to `#include` ; you do not need any additional libraries.
- Because of a limitation in gcc, you have to compile any source code that uses these routines with optimisation turned on (gcc -O1 or higher), or alternatively use `#define extern static` before you `#include` (remember to `#undef externafterwards`).
- For debugging, you can use `gcc -g -O` (at least with modern versions of gcc), though optimisation can sometimes make the debugger behave a bit strangely.
- Sometimes it is a good idea to put all I/O port access in a separate source file and compile only that with optimisation turned on.
- Before you access any ports, you must give your program permission to do so. This is done by calling the `ioperm()` function declared in `unistd.h`, and defined in the kernel) somewhere near the start of your program (before any I/O port accesses). The syntax is `ioperm(from, num, turn_on)`, where `from` is the first port number to give access to, and `num` the number of consecutive ports to give access to. `ioperm()` can only give access to ports 0x000 through 0x3ff (or higher ports, you need to use `iopl(3)` which gives you access to all ports at once).
- The `ioperm()` call requires your program to have root privileges; thus you need to either run it as the root user, or make it `setuid` root.
- You are not required to explicitly drop your port access privileges with `ioperm(..., 0)` at the end of your program; this is done automatically as the process exits.
- You can drop the root privileges after you have called `ioperm()` to enable the ports you want to use. A `setuid()` to a non-root user does not disable the port access granted by `ioperm()`, but a `fork()` does (the child process does not get access, but the parent retains it).
- To input a byte (8 bits) from a port, call `inb(port)`, it returns the byte it got
- To output a byte, call `outb(value, port)`
- Note that all port access instructions take at least about a microsecond to execute.
- There are manual pages for `ioperm(2)`, `iopl(2)`, and the above macros in reasonably recent releases of the Linux manual page collection
- Another way to access I/O ports is to `open()` /dev/port (a character device, major number 1, minor 4) for reading and/or writing (the `stdio f*()` functions have internal buffering, so avoid them). Then `lseek()` to the appropriate byte in the file (file position 0 = port 0x00, file position 1 = port 0x01, and so on), and `read()` or `write()` a byte or word from or to it. Naturally, for this to work your program needs `read/write` access to /dev/port. This method is probably slower than the normal method above, but does not need compiler optimisation nor `ioperm()`. It doesn't need root access either, if you give a non-root user or group access to /dev/port (potentially dangerous for system security)

Be warned that this I/O port accessing as described above will only work on i386 system. To be able to use `ioperm` you need to include the necessary headers to your software:

```
#include /* for libc5 */
#include /* for glibc */
```

The function prototype is the following:

```
int ioperm(unsigned long from, unsigned long num, int turn_on);
```

`ioperm` sets the port access permission bits for the process for `num` bytes starting from port address `from` to the value `turn_on`. The use of `ioperm` requires root privileges. Only the first 0x3ff I/O ports can be specified in this manner. For more ports, the `iopl` function must be used. Permissions are not inherited on fork, but on exec they are. This is useful for giving port access permissions to non-privileged tasks. This call is mostly for the i386 architecture. On many other architectures it does not exist or will always return an error. On success, zero is returned. On error, -1 is returned, and `errno` is set appropriately.

`ioperm` is Linux specific and should not be used in programs intended to be portable. Libc5 treats it as a system call and has a prototype in `<unistd.h>`. Glibc1 does not have a prototype. Glibc2 has a prototype both in `<sys/io.h>` and in `<sys/perm.h>` (avoid this latter because it is available on i386 only).

The I/O accessing can be different on other Linux platforms (for example the alpha uses a library, `libio`, to emulate `inb/outb` in user programs).

The description above concentrates on the C programming language. It should apply directly to C++ as well. In assembler, you have to call

ioperm() or iopl() as in C, but after that you can use the I/O port read/write instructions directly.

In other languages, unless you can insert inline assembler or C code into the program or use the system calls mentioned above, it is probably easiest to write a simple C source file with functions for the I/O port accesses or delays that you need, and compile and link it in with the rest of your program. Or use /dev/port as described above.

Parallel Port Pin Programming Library for Linux

If you want a higher level approach to parallel port controlling than low level directly writign to control registers approach, there are also tools for this available. [Parapin](http://www.epanorama.net/counter.php?url=http://parapin.sourceforge.net/) is an easy to use parallel port pin programming library. You can find this software at <http://www.epanorama.net/counter.php?url=http://parapin.sourceforge.net/>. Parapin makes it easy to write C code under Linux that controls individual pins on a PC parallel port. This kind of control is very useful for electronics projects that use the PC's parallel port as a generic digital I/O interface.

Parapin goes to great lengths to insulate the programmer from the somewhat complex parallel port programming interface provided by the PC hardware, making it easy to use the parallel port for digital I/O.

Parapin provides a simple interface that lets programs use pins of the PC parallel port as digital inputs or outputs. Parapin makes it easy to write C code under Linux that controls individual pins on a PC parallel port. You can assert high or low TTL logic values on output pins or poll the state of input pins. This kind of control is very useful for electronics projects that use the PC's parallel port as a generic digital I/O interface.

Parapin has two personalities: it can either be used as a user-space C library, or linked as part of a Linux kernel module. There is also a device driver that provides access to the kernel module from user-space, allowing the administrator to use filesystem permissions to control access to the port. Parapin was written with efficiency in mind, so that Parapin can be used in time-sensitive applications.

The user-space version of Parapin is compiled and linked very much like any other C library. If you installed Parapin on your system using ``make install'', the library (libparapin.a) was probably installed in /usr/local/lib. The header file with the library's function prototypes and other definitions, parapin.h, is probably also in /usr/local/include. To use the library, first make sure to #include parapin.h in your C source file. When linking, add -lparapin along with any other libraries you might be using. C library initialization is performed using the function

```
int pin_init_user(int lp_base);
```

whose single argument, lp_base, specifies the base I/O address of the parallel port being controlled. In both the userspace C library version, and the kernel version, pins are configured using one of the following three functions:

```
void pin_input_mode(int pins);
void pin_output_mode(int pins);
void pin_mode(int pins, int mode);
```

The pins argument of all three functions accepts the LP_PINnn constants. Once Parapin has been initialized (Section 5), and pins have been configured as output pins (Section 6), values can be asserted on those pins using the following functions:

```
void set_pin(int pins);
void clear_pin(int pins);
void change_pin(int pins, int state);
```

value being asserted by the ``far end'' can be queried using the following function. Please note that pin state may only be queried only if they are input pins (by hardware or set as input).

```
int pin_is_set(int pins);
```

If you would like to use the kernel version of parapin from a userspace program without writing your own hardware-specific driver, you can load the parapindriver module after loading kparapin. This device driver exposes the functionality of kparapin through a normal character-device interface (except for interrupt handling). The primary advantages are that access to the parallel port functionality of parapin may be controlled through /dev filesystem permissions, and all interaction is done through standard device-oriented system calls such as open(), close(), and ioctl(). When building a userspace program that will make use of the parapindriver interface to kparapin, you must include parapindriver.h. This header file defines the device-specific ioctl commands used to communicate with the device driver. It also includes parapin.h, so your program can make use of all the ``LP_*'' constants. The parapindriver system calls take arguments using these constants and pass them unchanged down to the kparapin routines.

Once parapindriver is successfully loaded, and a corresponding /dev entry is in place, initialization and shutdown of the parallel port are easy. To initialize the parapin system, just call open(2) on the /dev entry as you would any other device file: int device; device = open("/dev/", 0); if (device < 0) { fprintf(stderr, "device open failed\n"); exit(-1); } The device name is typically parport0, parport1, parport2, etc... (as found in Fedora Core 4 Linux system). To shutdown the parapin system you simply have to call close(2):

```
close(device);
```

When using the parapindriver device interface, all functionality related to pins on the parallel port is invoked via the ioctl(2) system call. The ioctl commands for parapindriver are defined in the parapindriver.h header file. The two used to set pins to be either output pins or input pins are ``PPDRV_IOC_PINMODE_OUT'' and ``PPDRV_IOC_PINMODE_IN'', respectively. Examples:

```
ioctl(device, PPDRV_IOC_PINMODE_OUT, LP_PIN01 | LP_PIN02);
ioctl(device, PPDRV_IOC_PINMODE_IN, LP_PIN11);
```

Setting pin state through the device driver interface follows all the same rules as described above. The ioctl commands used are ``PPDRV_IOC_PINSET'' and ``PPDRV_IOC_PINCLEAR''.

```
ioctl(device, PPDRV_IOC_PINSET, LP_PIN01 | LP_PIN02);
ioctl(device, PPDRV_IOC_PINCLEAR, LP_PIN01);
```

Querying pin state through the device driver interface follows all the same rules as described above. The ioctl command used is ``PPDRV_IOC_PINGET''. Please note that pin state may only be queried only if they are input pins (by hardware or set as input).

```
int value;
value = ioctl(device, PPDRV_IOC_PINGET, DATA);
```

Arguments to these ioctl calls use exactly the same constants as are used by the userspace and kernel versions of parapin itself. Return values from these ioctl calls are the same as those defined for the corresponding functions in kparapin (plus value -ENOTTY indicates that an invalid ioctl command value was passed down).

The parallel port pins are accessed with constants in form of LP_PIN plus parallel port pin number. For example LP_PIN02 refers to parallel port pin 2 that is D0 data out pin. Programming tip: Usually, it is most convenient to use #define statements to give pins logical names that have meaning in the context of your application. Example:

```
#include "parapin.h"
#define VCC LP_PIN02
```



```

#define CS LP_PIN03
#define CLK LP_PIN04
#define D0 LP_PIN10 /* input pin */
...
clear_pin(CS); /* pull Chip Select low, tell it to acquire */
...
set_pin(CLK); /* clock it */
clear_pin(CLK);

```

Parapin also supports interrupts through parallel port. Currently, Parapin only supports a single parallel port at a time. Many new Linux distributions include paraport kernel device driver already integrated to the system ready to use.

Parapin documentation is available at <http://www.epanorama.net/counter.php?url=http://parapin.sourceforge.net/doc/parapin.html>. Most of the parapin description give above ade edited form documentation found at that address.

Other Linux parallel port controlling software

[Parashell](#) is a program that allows you to control the parallel port (input and output) using simple command line arguments. Due to it's easy interface all you need to know is the parallel port's address (ie., 0x378, 0x3bc, etc.) and a little bit about binary. This software can be found at <http://www.epanorama.net/counter.php?url=http://parashell.sourceforge.net/> Usage example:

```
/usr/local/bin/parashell 0x378 VALUE
```

Where value is the numeric value you want to send to parallel port data pins. Parashell is easy program to use in shell scripts. The software package comes with example shell scripts. Parashell can also be use to read written pin states:

```
/usr/local/bin/pin 0x378
```

NOTE: You need to have root right to succesfully run parashell programs.

MatPLC is a program that could be worth to check is also. MatPLC is a PLC-like program for Linux (PLC = Programmable Logic Controller), licensed under the GNU GPL. The software can control also PC parallel port. MatPLC home page can be found at <http://www.epanorama.net/counter.php?url=http://mat.sourceforge.net/>.

Controlling parallel port through web

It is possible to build a system that allows you to control your parallel port pins through a web. To do this you need the following parts in your Linux system:

- A web server software:
- [Apache](#) is the most popular, [Boa](#) is also possible
- The conrolling use interface web pages (you have to make those yourself, possible few web forms with control buttons)
- Parallel port controlling CGI-BIN script (you have to write this)
- The control program that control parallel port (the Linux controlling program described above is suitable)

Usually web based I/O-device controlling works in the following way:

1. Users downloads a web pages from some page where the web pages is (web browser does this from given address)
2. The user web browser shows user the downloaded web page that has the control needed (forms, buttons, etc.)
3. User presses some control button or send button on form
4. The user operation at step 3 causes the web browser to send the information (that key has been pressed or form data contents) to the web address given in the web page where this button/form is (can be same or different web server where the form was leaded)
5. A web server in that given address receives the data from user web browser, checks that it correct and sends in some way command to the actual hardware to do whatever needed (this could be call to hardware driver or signaling to some other application running somewhere accessible from web server)

Typically the web based uder interface building can be divided to two quite differnet parts: The web interface part (getting the controlling information form used to the computer) and the actual hardware controlling

The first part would include that web server, controlling web pages and needed scripts to take user controls. There is a wide selection of suitable scripting languages, most attractive for this could be Perl, PHP and UNIX shell script (bash). Al those can be used to do to read the user controls. The second part needs to be generally written using C language, because most scripting languages usually lack the features to do actual direct hardware controlling. For this C language is generally the best approach. The idea is tht the actual low level hardware controlling is done with simple C program, and then the script (on part 1) sends controls to this C program in some way (in simplest case runs this C program with right command line arguments every time hardware needs to be controlled).

Simple CGI-BIN controlling example

In this example the idea is that you make a web page that has the control buttons what controls you want to do. The control buttons are set so that pressing them causes user web browser to send the form contents to a CGI-BIN script. This call causes the web server to run the specified CGI-BIN scrip. The CGI-BIN scrips is written to perform the needed controlling, typically calling the parallel port controlling program with right parameters.

This is the basic idea how to do this.

Here is a simple example web controlling application. Do the following to make it work:

1. Make sure that your system is running [Apache](#) web server. Most modern Linux distributions come already with this web server software. Make sure you have Apache installed. The fillowing steps expect that you run Linux system with correctly configured Apache (Red Hat 7.2 Linux default setting are OK). I epect that the web pages related material is located in /var/www/ directory (this is typical place on Red Hat Linux systems, on other distributions the place can vary, change the examples in this case as needed). Make sure that your web server is running. You can start is it for example with following command (in most systems you need to be root to do this):

```
/sbin/service httpd start
```

Make sure you can access your Linux computer with your web browser (running on the same or other computer) when Apache is running on the Linux computer.

2. Compile the [lptout.c](#) source code to lptout binary program, copy the pgoram to /usr/sbin/ directory and set rights so that it is always executed as root. You can do this by logging on as root and executing the following commands:

```
gcc -O lptout.c -o lptout.c
cp lptout /usr/sbin/lptout
chmod +s /usr/sbin/lptout
```

This should do this. Now everybody should be able to run the command. Test this by logging in as somebody else than root and execute the command:

```
/usr/sbin/lptout 0xff
```

This should turn on all parallel port LPT1 data pins high (3..5V). Executing command

```
/usr/sbin/lptout 0xff
```

should turn all output pins low (0..1V). Make sure that this works without problems. Test that the port gets really controlled with this program with a multimeter or the LED circuit described in the beginning of this document.

3. Install the CGI scripts for parallel port controlling. The needed scripts are [lpton.cgi](#) and [lptoff.cgi](#). Click the file names to see the source code, use "view source" if needed, save those files to your system with names `lpton.cgi` and `lptoff.cgi`. Then copy those files to the web server CGI-BIN directory and give necessary executing rights. Log in as root and do the following commands on the directory where you stored the `lpton.cgi` and `lptoff.cgi`:

```
cp lpton.cgi /var/www/cgi-bin/lpton.cgi
cp lptoff.cgi /var/www/cgi-bin/lptoff.cgi
chmod go+rx /var/www/cgi-bin/lpton.cgi
chmod go+rx /var/www/cgi-bin/lptoff.cgi
```

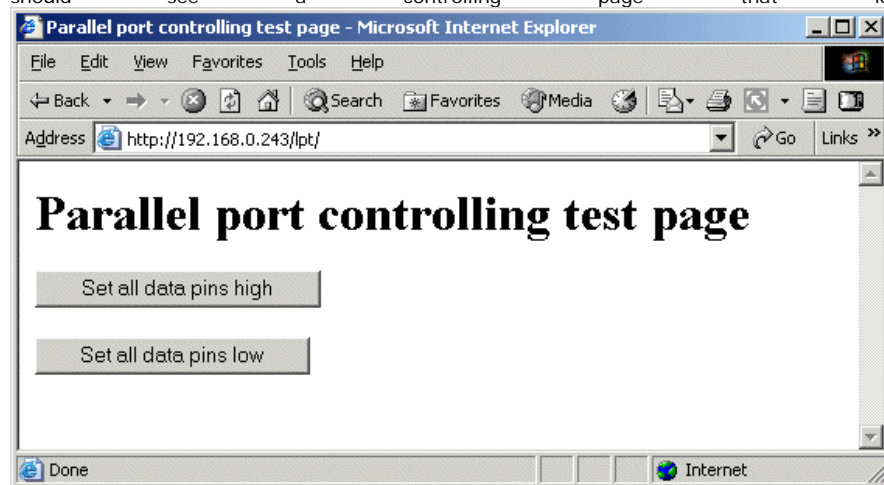
4. Install the necessary controlling web page. In this example your controlling webpage resides in the web address `http://www.epanorama.net/counter.php?url=http://yourservernamehere/lpt/index.html` where the "yourservernamehere" means the name or IP address of your Linux computer you run this application at. You need the web page [index.html](#) source code (click filename to see the source code, use "view source" if needed, save to your computer as `index.html` file). To create the web directory for the parallel port controlling do the following when logged as root:

```
cd /var/www/html/
mkdir lpt
chmod go+rx lpt
```

Now go to the directory where you have the `index.html` file and copy it to the created directory with following commands (still logged in as root)

```
cp index.html /var/www/html/lpt/index.html
chmod go+r /var/www/html/lpt/index.html
```

5. Test that you can access the controlling page on the Linux server. Point your web browser to address `http://www.epanorama.net/counter.php?url=http://yourservernamehere/lpt/index.html` where the "yourservernamehere" means the name or IP address of your Linux computer. You should see a controlling page that looks something like this:



6. Test pressing the control buttons and see that the parallel port output pins change their state as controlled.

You can find all the necessary files for this simple web project at one tar file called [weblpt.tar](#). Just download it to your Linux system and expand it to suitable directory with command

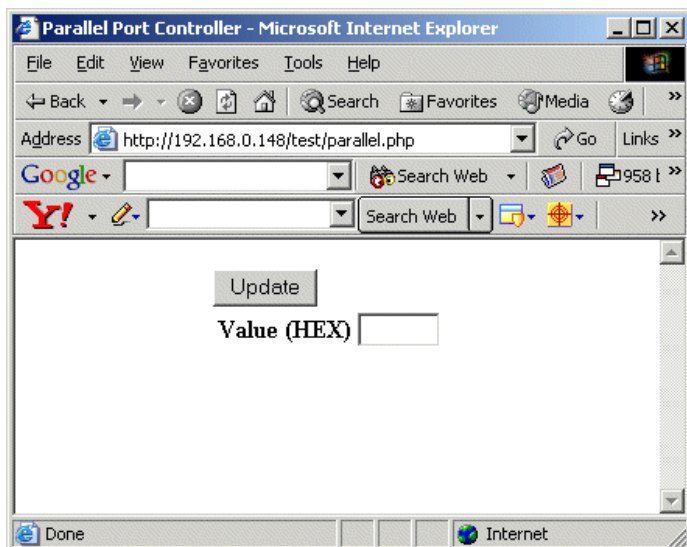
```
tar xvf weblpt.tar
```

Now you have all the files you need. Just do the steps needed with them and you should get your simple web controlling application working well.

NOTE: This is a simple example of parallel port controlling through web. This example is probably not the most convenient or efficient way to do the controlling, but has worked for me. When making electronics that is controlled through web, you need to always think of the information security related to this, meaning that only people who should be able to do the controlling can do this and nobody can easily hack to your system. This method has potential security risks because the `lptout` program is always run at root rights (if somebody can make it to crash somehow this can potentially cause security problems). To do all the steps mentioned in this document you need to be logged as root to the system to do what is needed, when you are as root, you can do lots of harm to your system if you do stupid mistakes.

Parallel port controlling using PHP

Here is another source code example for parallel port controlling. This one was sent to me by Andrew Nickson to be included in this web page. This is a PHP script which will allow the writing of any data to the parallel port. You need to have [Apache](#) web server and a decent version of [PHP](#) installed with Apache. Many Linux distributions include those tools if you have selected those to be installed in your system (if you don't have them you need to install them).



There are two files, one the actual php script and the other being the form data used to get the users input. For this script to work you need to have the same lptout program as used in previous example at your computer at /usr/sbin/ directory with enough right that the web server can run it.

Here is the source code of lptout.php / parallel.php:

```
<?php
/* Program: lptout.php
 * Desc:    Takes data from the form and sends it to the
 *         parallel port program (lptout).
 *         Values should be given in hex (0 - ff)
 *         requires lptout placed in /usr/sbin/
 *         By Andrew Nickson (www.re-mastered.co.uk)
 */

?>

<?php
switch (@$_GET['do'])
{
    case "update":
        echo ("<center><br>Data sent to parallel port (0x$fvalue)</br></center>");
        exec ("/usr/sbin/lptout 0x$fvalue");
        include("parallel.inc");
        break;
    default:
        include("parallel.inc");
}

?>
```

Here is the source code of parallel.inc file that is used by the previous source code. This source code prints out the form that is shown to user for parallel port controlling.

```
<?php
/* Program: Parallel.inc
 * Desc:    Contains the form data for the parallel control
 *         This will call parallel.php.
 *         By Andrew Nickson 2005 (www.re-mastered.co.uk)
 */

?>

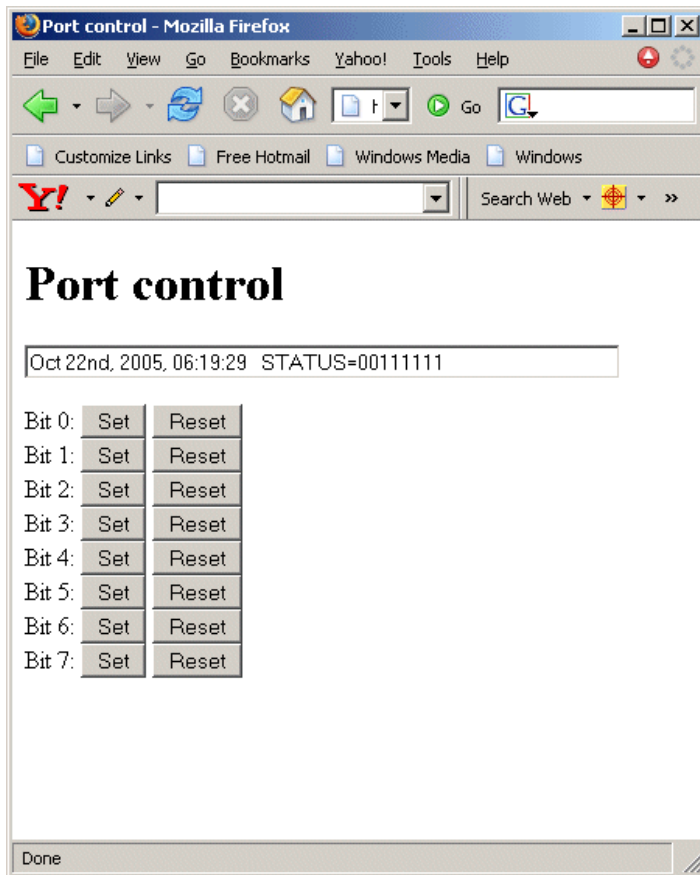
<html>
<head><title>Parallel Port Controller</title></head>
<body topmargin="0" leftmargin="0" marginheight="0"
marginwidth="0">
<center><form action="parallel.php?do=update" method="POST">
<table border="0">
<tr><td align="right"><b>Value (HEX)</b></td>
<td><input type="text" name="fvalue"
size="5" maxsize="3">
</td></tr>
<tr><td align="right"><br><input type="submit" name="Update"
value="Update">
</td></tr>
</table>
</body></html>
```

You can download the download those source codes as one zipped packet with file name [lptoutphp.zip](#). I used PHP4 when I wrote this source code years ago.

Web controlling using PHP and AJAX

The portcontrol software web interface for controlling parallel port is simple modern web based interface for controlling parallel port. The software is based on PHP software running on Linux server and a JavaScript based client application running on the user web browser. With this approach it is possible to get the almost real-time status of the parallel port data pins to the screen nicely and do flexible controlling easily.

The server end is based on small piece of PHP code and portcontrol software. portcontrol is a simple general purpose I/O port control program for Linux. It allows you to write and read the supported I/O ports. The software allows writing specified value to port, reading value at given I/O address and printing it out to screen in different formats and bit-level manipulation of the port data.



The control.php file does the port control magic. When it is loaded, the user gets a web page plus user end JavaScript code. That JavaScript code periodically (once in 5 seconds) asks the parallel port state from the server (AJAX call) and if it has changed updates status to the screen. It also handles the control buttons. Every control button press makes the control software to call the server to make desired function (AJAX call). After controlling is done, the server returns the current port status (it is printed to screen). When the control software is written in this way, it works pretty well and feels almost like a graphical application programs controlling the parallel port directly (instead of typical web application that loads web page again and again every time you do something).

Besides the actual controllign PHP script, I have written also an another version of the control.php file. This file controlfile.php work pretty much in the same way, but instead of controlling parallel port writes and reads the status from a file (status.txt in the same directory as the script is). You can use it to easily test the AJAX/PHP based control system anuwhere (the computer does not need to have any real port in it). The file based AJAX port control test application is available [here](#) for you to test.

The portcontrol software with web interface is is available as [portcontrol.tar](#) package that includes the source code, instructions for compiling/installing and instructions for use. For more details check the [README](#).

To use the software you need to download also [SAJAX Simple Ajax Toolkit by ModernMethod](#) from <http://www.epanorama.net/counter.php?url=http://www.modernmethod.com/sajax/>. I developed this software using PHP4 some years ago. I have not tested to software with PHP5.

Web controlling using PHP and AJAX in Windows system

Due several requests I have also made a Windows port of my Web controlling using PHP and AJAX system. That Windows version is based on the following components:

- PHP capable web server running on Windows system (I used [PortableWebAp](#) version 3.2)
- Windows version of my portcontrol software (portcontrol.exe)
- [inpout32.dll](#) driver needed by portcontrol.exe to be able to control hardware in Windows NT/2000/XP systems
- Slightly modified version of my "Web controlling using PHP and AJAX" PHP scripts. The modifications needed were mostly related to different executable portcontrol program (portcontrol vs. portcontrol.exe) name and different program path (In Windows version executable is in same directory as PHP code)

To use the package you need to do the following:

First you need to download [PortableWebAp](#) version 3.2 from <http://www.epanorama.net/counter.php?url=http://portablewebap.com/>. This is a free software package, although to get it you need to register first. PortableWebAp is a portable platform for web applications. With it you can run php web applications from a CDROM, DVD, USB Drive, from any directory from any hard drive. No installation is necessary. I selected this package for the simplicity of installation: Just unzip the .zip file to directory you want and run it from there. No installation or configuration needed. Size is only around 5mb. Easiest to set up web server for Windows I have seen! For example install this software to directory C:\PortableWebAp3.2

NORE: The software is tested to work well on PortableWebAp version 3.2 (includes PHP4). The software packet does not seem to work with newer PortableWebAp version 4.

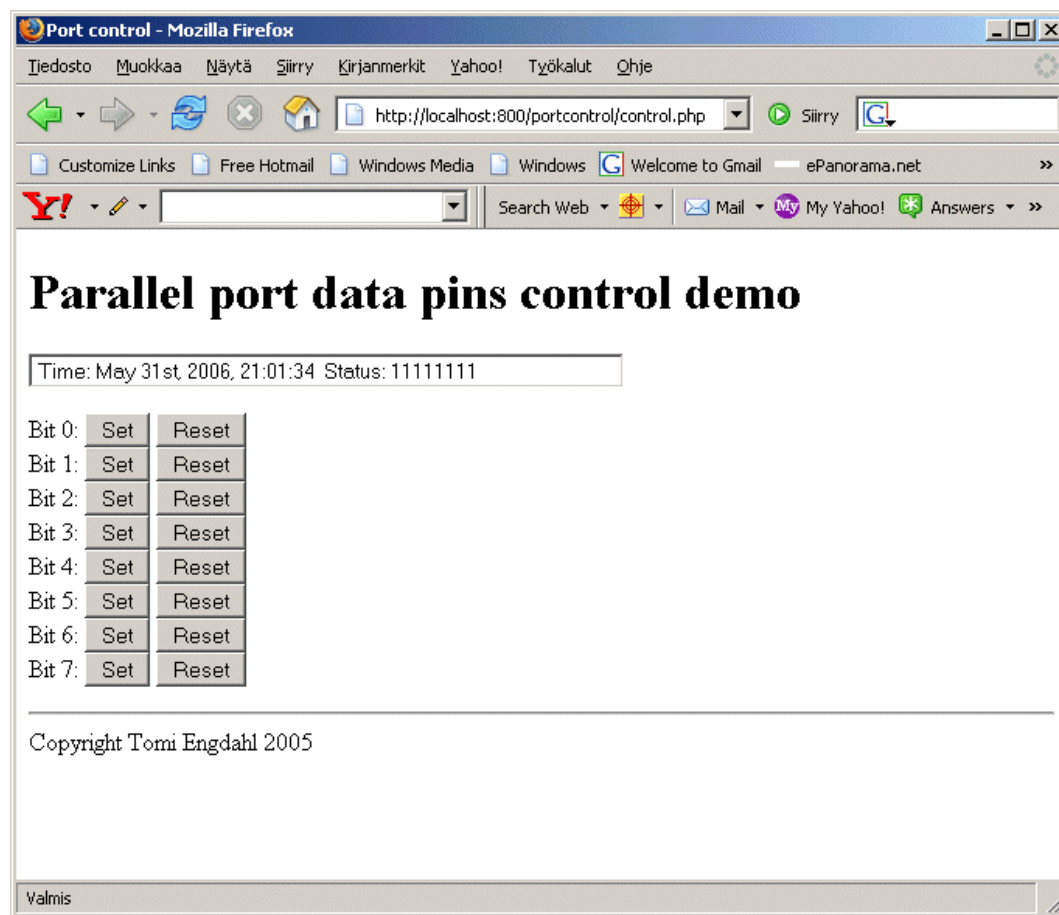
Then you need to download [inpout32 driver](#) from <http://www.epanorama.net/counter.php?url=http://www.logix4u.net/inpout32.htm>. Download the .zip file that contain the driver. Unzip the .zip file to suitable directory. Copy inpout32.dll to system directory where the system can find it. In my Windows 2000 system suitable directory was C:\WINNT\system32 directory (if you use different verwion of WIndows that can be different).

The third component you need are my PHP script and portcontrol.exe package. Download this [WinPortControlAjax.zip](#) package [HERE](#). Just download the .zip file. Create a directory named portcontrol under directory C:\PortableWebAp3.2\Program\www\localhost. Now you unzip the package to this C:\PortableWebAp3.2\Program\www\localhost\portcontrol directory.

Now you have all the parts needed to set up the system. Next part is testing:

Start the PortableWebAp by running portablewebap.exe from C:\PortableWebAp3.2 directory. This will start the web server and also your web browser. If your computer has firewall software in it, your firewall software might ask if you want this program to be allowed to be run as a service/server (allow that). The browser initially points to URL <http://localhost:800/>. Type in the address <http://localhost:800/portcontrol/control.php> to your web browser to go to port control application. You have now the same looking control screen as in Linux application above.

There is also a newer version of the example software for [PortableWebAp](#) version 4. Download the [PortcontrolWebAp4.zip](#) file. Just unzip file to Program\www\localhost\portcontrol subdirectory under the directory where you installed the PortcontrolWebAp4. Type in the address <http://localhost:800/portcontrol/control.php> to your web browser to go to port control application. This [PortcontrolWebAp4.zip](#) file is all you need in addition to PortableWebAp because this new packet includes all the needed files in it (PHP source,Sajax, portcontrol.exe and inport32 driver).



This works pretty also on Windows system. There is one downside on the way this Windows system is implemented. You seen occasional screen flashing on the computer that run the server. This is caused by the portcontrol.exe starting every few seconds (started by control.php when web browser AJAX asks for status update). Every time portcontrol.exe is started, it's console Window shows up (you see the console Window because portcontrol.exe is Windows console application), and closes just a fraction of second later.

Modifications ideas for web interface

I have been asked how to control other pins on parallel port than just the data pins. Here are some instructions how to modify the web interface source code to do that.

The portcontrol program that does the actual port controlling stuff already supports controlling many other things than just the parallel port data pins. The PHP example code control.php just does not support those features. If you want to use those features, you need to modify the control.php source code and change the port definition on it. If you want to control both data pins and other pins, then it might be a good idea to make a copy of control.php to another name and make modifications to it.

To make the changes open the port controlling PHP code, and modify the following lines:

In Windows system:

```
return " Time: " . date("M dS, Y, H:i:s ") . "Status: " . shell_exec("portcontrol.exe LPT1DATA read print bin");
shell_exec("portcontrol.exe LPT1DATA read setbit " . $x . " write");
shell_exec("portcontrol.exe LPT1DATA read resetbit " . $x . " write");
```

In Linux system:

```
return " Time: " . date("M dS, Y, H:i:s ") . "Status: " . shell_exec("/usr/local/sbin/portcontrol LPT1DATA read print bin");
shell_exec("/usr/local/sbin/portcontrol LPT1DATA read setbit " . $x . " write");
shell_exec("/usr/local/sbin/portcontrol LPT1DATA read resetbit " . $x . " write");
```

By changing the LPT1DATA to one of supported port identifier, the controlling will be done to that port:

```
* Supported port identifiers
* LPT1DATA
* LPT1STATUS
* LPT1HANDSHAKE
* JOYSTICK
* NONE
```

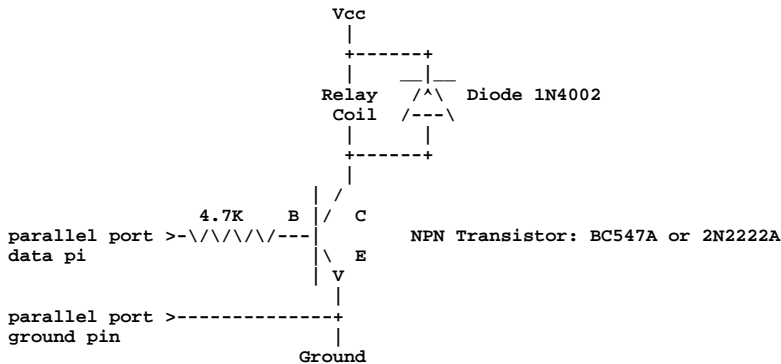
For controlling parallel port pins LPT1STATUS and LPT1HANDSHAKE are the ports to use.

Controlling some real world electronics

The idea of the interface shown above can be expanded to control some external electronics by simply adding a buffer circuit to the parallel port. The programming can be done in exactly the same way as told in my examples.

Building your own relay controlling circuits

The following circuit is the simplest interface you can use to control relay from parallel port:



The circuit can handle relays which take currents up to 100 mA and operate at 24V or less. The circuit needs an external power supply which has the output voltage which is right for controlling the relay (5..24V depending on relay). The transistor does the switching of current and the diode prevents spikes from the relay coil from damaging your computer (if you leave the diode out, then the transistor and your computer can be damaged).

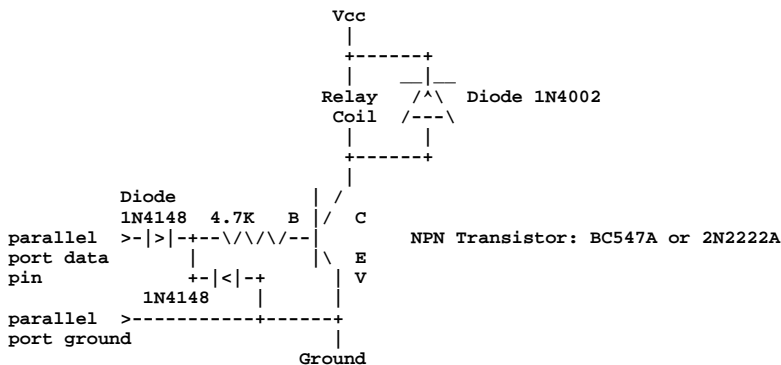
Since coils (solenoids and relay coils) have a large amount of inductance, when they are released (when the current is cut off) they generate a very large voltage spike. Most designs have a diode or crowbar circuit designed to block that voltage spike from hitting the rest of the circuit. If that diode is bad, then the voltage spike might be destroying your "sink" transistor or even your I/O card over a period of time. The mode of failure for the sink transistor might be short circuit, and consequently you would have the solenoid tap shorted to ground indefinitely.

The circuit can be also used for controlling other small loads like powerful LEDs, lamps and small DC motors. Keep in mind that those devices you plan to control directly from the transistor must take less than 100 mA current.

WARNING: Check and double check the circuit before connecting it to your PC. Using wrong type or damaged components can cause your parallel port get damaged. Mistakes in making the circuit can result that you damage your parallel port and need to buy a new multi-io card. The 1N4002 diode in parallel with the relay is an essential protection component and it should not be left out in any case, or a damage of the parallel port can occur because of high voltage inductive kickback from the relay coil (that diode stops that spike from occurring).

Safer new design

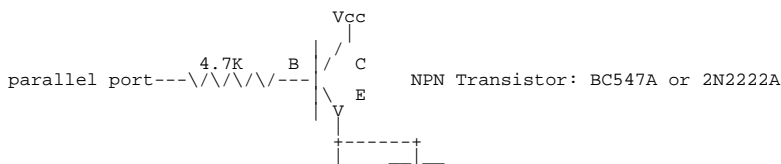
The circuit example above works well and when transistor is of correct type and working properly. If for some reason B and C could be shorted together and you are seeing more than +5V in the relay side, the circuit can push that higher voltage to the parallel port to damage it. The following circuit uses two 1N4148 diodes to protect parallel port against higher than +5V signals and also against wrong polarity signals (power on the circuit is accidentally at wrong polarity).

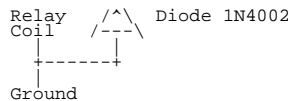


Adding even more safety idea: Replace the 1N4148 diode connected to ground with 5.1V zener diode. That diode will then protect against overvoltage spikes and negative voltage at the same time.

Bad circuit example

I don't know WHY I see newbies who don't THINK electronics very well yet always putting the relay "AFTER" the transistor, as if that was something important. Well it's NOT, and in fact it's a BAD PRACTICE if you want the parallel port to work well! This type of bad circuit designs have been posted to the usenet electronics newsgroups very often. The following circuit is an example of this type of bad circuit design (do not try to build it):





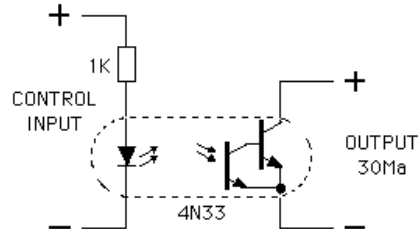
NOTE: This is a bad design. Do not build or use this circuit.

The problem of the circuit is that the voltage which goes to the relay is always limited to less than 4.5V even if you use higher Vcc supply. The circuit acts like an emitter follower, which causes that the voltage on the emitter is always at value base voltage - base to emitter voltage (0.6-.0.7V). This means that with maximum of 5.1V control voltage you will get maximum of 4.5V out no matter what is the supply voltage (when it higher than 5V and below transistor breakdown voltage).

Other problem is that in some cases this type of circuit can start to oscillate if the base resistor is right on the edge.

Basic circuit with optoisolation

One of the simples optoisolated output circuit for parallel port is the following 4N33 based circuit:



The 4N33 optocouplet device has a Darlington output transistor that is capable of driving up to 30 mA of load safely. The maximum voltage on the output side is 30V. The input to output isolation can handle up to 1500V voltage. You connect the input side + to the parallel port output pin you want to use for the controlling. Then you connect the input - side to parallel port ground pin. The output side is connected to the circuit to be controlled at right polarity. This example circuit used 1 kohm resistor to limit the control current (circuit should also work well with 470 ohm resistor). Because the current fed to the optocoupler is very low (just few mA), the guaranteed output current available from the optocoupler is low. You can expect to get something like 10 mA of drive capacity on output (maybe more if you are lucky to have a coupler with high CTR and parallel port with high output current). The circuit can be built also using 4N32 optocoupler that is very similar to 4N33.

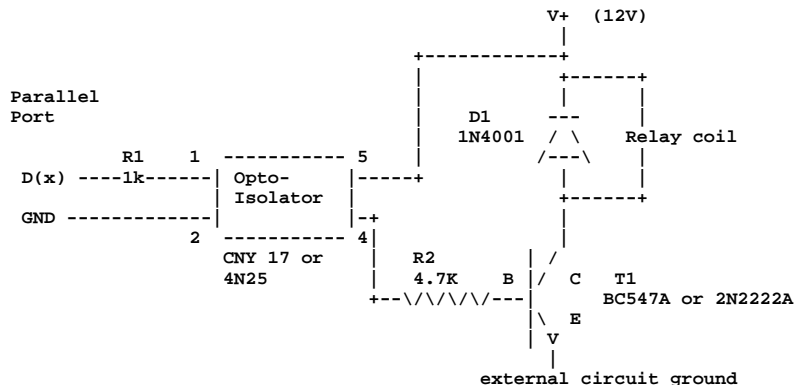
4N33 component data:

- The 4N32 and 4N33 are optically coupled isolators with a gallium arsenide infrared LED and a silicon photodarlington sensor.
- Switching can be achieved while maintaining a high degree of isolation between driving and load circuits.
- Very high current transfer ratio, 500 % Min.
- High isolation resistance
- Forward continuous current maximum 60 mA
- Output Collector-emitter breakdown voltage 30V
- Output can easily drive 50 mA current
- Output Power dissipation maximum 150 mW
- Isolation test voltage 5300V

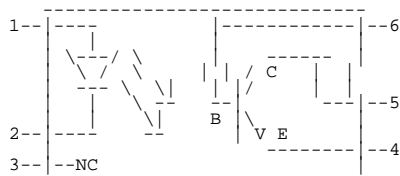
The component data is taken from datasheet available at <http://www.epanorama.net/counter.php?url=http://www.vishay.com/docs/83736/83736.pdf>. These optocouplers can be used to replace reed and mercury relays with advantages of long life, high speed switching and elimination of magnetic fields.

Transistor amplified optocoupler circuit

If you want to have a very good protection and of the parallel port and more drive capacity you might consider optoisolation using the following type of circuit:



Typical optoisolator pinout (CNY 17 and 4N25):



The opto-isolator is there to protect the port. Note that there are no connections between the port's electrical contacts. The circuit is powered from external power supply which is not connected to PC if there is no need for that. This arrangement prevents any currents on the external circuits from damaging the parallel port.

The opto-isolator's input is a light emitting diode. R1 is used to limit the current when the output from the port is on. That 1kohm resistor limits the current to around 3 mA, which is well sufficient for that output transistor driving.

The output side of the opto-isolator is just like a transistor, with the collector at the top of the circuit and the emitter at the bottom. When the output is turned on (by the input light from the internal LED in the opto-coupler), current flows through the resistor and into the transistor, turning it on. This allows current to flow into the relay. The output current from the optoisolator with the input current listed above should be around 1-3 mA range (depends on exact optoisolator type and component variations). This current goes through R2 to the transistor base.

Turning the input on the parallel port off causes the output of the opto-isolator to turn off, so no current flows through it into the transistor and the transistor turns off. When transistor is off no current flows into the relay, so it switches off. The diode provides an outlet for the energy stored in the coil, preventing the relay from backfeeding the circuit in an undesired manner.

The transistor in the circuit can be used for controlling output loads to maximum of around 100 mA (depends somewhat on components and operation voltage used). The external power supply can be in 5V to 24V range. When you use a relay that takes less than this 100 mA of current and works at the power supply you use, you should be OK. The output load that you can control with the circuit with a relay only depends on the relay output contact ratings (maximum current and maximum voltage).

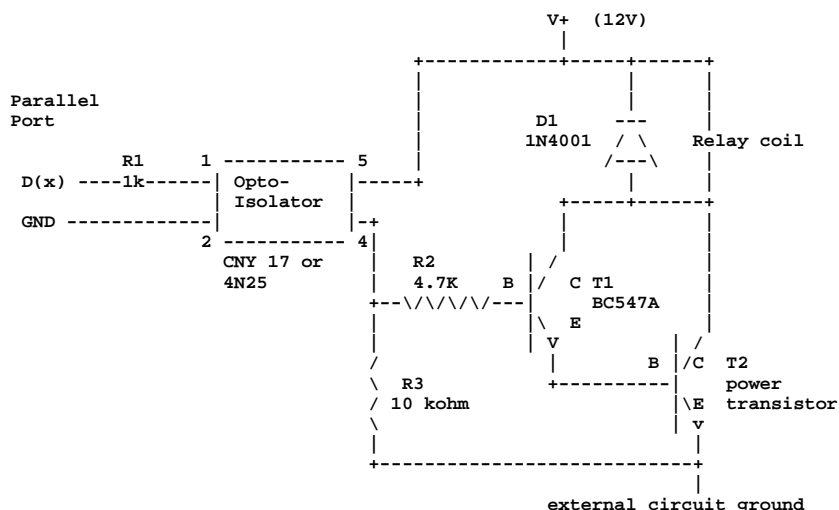
The circuit can be used also directly to control small loads (less than 100 mA current). Just put the load you want to control in place of the relay coil.

Some component data on the components used:

- 2N2222A: NPN transistor, TO18 case, $V_{ce}=40V$, $V_{cb}=75V$, $I_c=800mA$, $H_{fe}=100-300$, 300MHz, 500mW
- BC547A: NPN transistor on TO92 case, $V_{ce}=45V$, $V_{cb}=50V$, $I_c=100mA$, $H_{fe}=110-800$, 300MHz, 625mW
- CNY17: Optocoupler with Phototransistor Output, CTR from 40% to 200% depending on version, 4400 Vdc isolation
- 4N25: optocoupler with phototransistor output, CTR typically 50% (20% minimum), 2500V isolation, input forward current max 80 mA, 30V max output voltage

Optoisolated high power control circuit

Here is a higher power version of the circuit described above:



In this circuit Q1 is used for controlling the base current of Q2 which controls the actual current. You can select almost any general purpose power transistor for this circuit which matches your current and voltage controlling needs. Some example alternatives are for example TIP41C (6A 100V) or 2N3055 (100V 15A). Depending your amplification factor inherent to the transistor Q2 you might not hough be able to use the full current capability of the output device T2 before there will be excessive losses (heating) in that transistor.

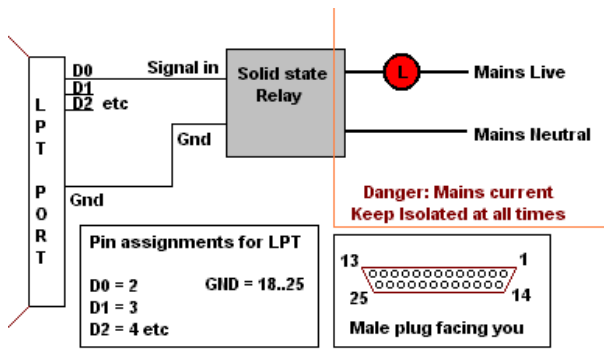
This circuit is basically very simple modification of the original optoisolator circuit with one transistor. The difference in this circuit is that here T2 controls the load current and Q1 acts as a current amplifier for T2 base control current. Optoisolator, R1, R2, Q1, D1 work exactly in the same way as in one transistor circuit described earlier in this documents. R3 acts like an extra resistor which guarantees that T2 does not conduct when there is no signal fed to the optoisolator (small possible current leaking on optoisolator output does not make T1 and T2 to conduct).

Mains power controlling with parallel port

It is possible to control mains voltage through parallel port with a suitable circuit. When controlling mains voltage, you need to be varycarefyl and know what you do to do it safely. Mains voltage can kill if you get in touch with it, and bad mains controlling circuit can burn down your house.

First idea for controlling mains power is to use one of the circuit above to control a relay that then controls the mains power. This suits for many applications as long as the relay is rated for the mains power switching applications and for the current rating of your applications. The relay contact is used to switch the phase/live wire going to the equipment. A properly designed circuit should have in addition to the relay (plus parallel port interface circuit) also a peoply sized fuse that will cut the power going through the relay in case of short circuit or overload at the equipment being controlled. The fuse here is used to protect the relay against overload. A relay will work on applications where the device is turned on and off quire rarely. If you are switchign the device on and off often, the normal relay will siffer of limited mechanical and electrical age, and in some applications also on noise caused by sparks that are formed when relay contacts open and close. Those sparks can cause radio frequency noise.

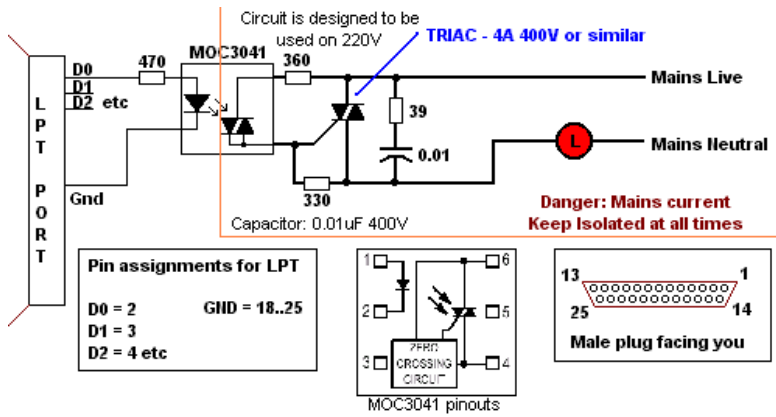
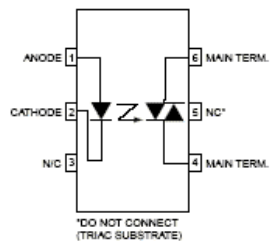
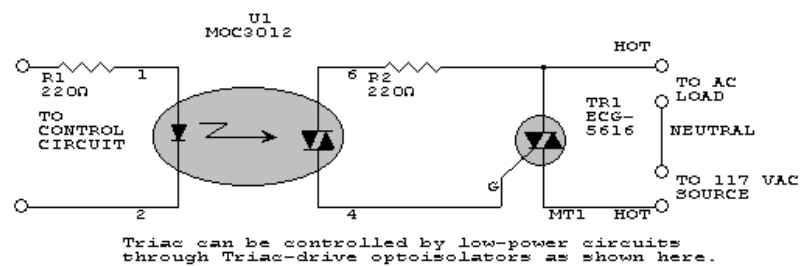
Another component suitable for mains voltage controlling is a solid state relay. The circuit show below describes how to control a solid state relay from PC parallel port. The solid state relay controls the mains voltage.



The relay for this application should be some rated for the mains voltage you used and the current your controlled equipment (marked with L on the picture) takes. The solid state relays designed for mains operation provide the needed isolation between the control input and mains side. The solid state relay should be used according the manufacturer application notes and your local electrical equipment codes. You should keep the mains side and low voltage side isolated in all cases (even on equipment damage case). You should also put a properly rated fuse in series with the solid state relay so protect the relay against overload. A proper size fuse will not protect the solid state relay against overheating of the load tries to take too much current through the relay. The fuse might not be able to protect the relay against short circuit damages (if you short-circuit the load, you generally lose the solid state relay and the fuse).

Many solid state relays can be controlled directly to parallel port without extra components. You need to select a solid state relay that is voltage controlled and the control voltage range can take the voltage that printer port outputs (5V or somewhat less). For reliable operation you should select a relay that can operate at down to 3V input voltages and does not take too much control current (a SSR that takes only few milliamperes is preferred because current output capacity of parallel port is usually limited to that). To guarantee that the operation is reliable with the direct connection, be sure to measure that the control voltage entering the SSR is within the specified operating range when the relay is controlled to parallel port (you can measure this without mains power applied to the rest of circuit, safer to measure in this way). Controlling a solid state relay with lower than specified control voltage can lead unreliable operation of solid state relay, and can even cause some solid state relays fail when heavily loaded!

It is also possible to build the mains voltage controlling part from discrete components. Here are two example circuits:



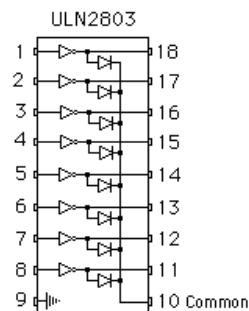
Those are just as an example. I do not recommend you to build those circuits. Nowadays the solid state relays are available at reasonable prices, and with them it is easier to build safe controlling circuits.

One very important thing to note on mains controlling circuits is that they should be built very carefully and right. Mains voltage can kill if you come in touch with it. A badly constructed circuit can overheat and cause fire. Any mains controlling circuit should be built in such way that there is an overcurrent protection component that protects the circuit against overloads (usually a fuse in the power input). The circuit must be built

into a safe and mechanically stable case. An insulating plastic case (electronics case made from plastic that does not burn easily) is one option. Another option is to built the circuit into a grounded metal case. The exact practices how to build safe mains powered circuits is outside the scope of this article. You should know those details before attempting to built any circuit that connects directly to mains power.

Compact 8 channel output driver

You can build a circuit with many outputs by combining many individual transistor based circuits. If you want to hve a compact construction with up to 8 outputs, I would recommend you to consider using ULN2803 IC that is manufactured by [Allegro](#) and several other manufacturers. Here is the pinout of this ULN203 IC:

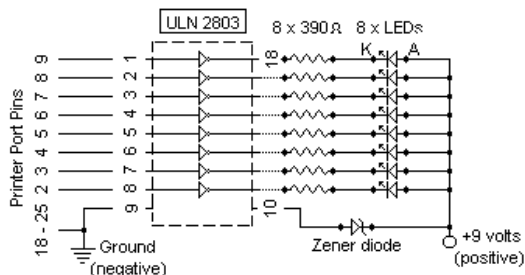


ULN2803 is a 8-bit 50V 500mA TTL-input NPN darlington driver. Featuring continuous load current ratings to 500 mA for each of the drivers, the ULN2803A high-current Darlington array is ideally suited for interfacing between low-level logic circuitry and multiple peripheral power loads. Typical loads include relays, solenoids, stepping motors, magnetic print hammers, multiplexed LED and incandescent displays, and heaters. The drivers need no power supply; the VDD "common" pin is the common cathode of the eight integrated protection diodes. The data sheet for this IC can be found at <http://www.epanorama.net/counter.php?url=http://www.allegromicro.com/sf/2801/> and <http://www.epanorama.net/counter.php?url=http://impressolibre.sourceforge.net/miniplotter/ULN2803-D.PDF>

The ULN2803 is connected between each of the eight 'output' lines of the printer port and the device it controls. The output 'device' can be as simple as a LED, a small motor, or a relay. The inputs on the left side of the IC are directly suitable to be connected to PC parallel port output lines. The outputs are open collector output (output gets grounded through transistor when corresponding input line goes to high state), so they are well suitable for controlling various loads powered through external power supply. The maximum controllable voltage is 50V and maximum current per channel is 500 mA. Outputs may be paralleled for higher load current capability. The input and output sides of the IC have the same common ground that must be connected also to the ULN2803 IC ground pin.

The "common" line is connected to a suitable overvoltage protection circuitry to prevent damage to the IC due to "back emf" when loads such as motors and relays switch on and off. This "common" line can be for example connected to the power supply line that supplies power to the relays. You can also use for example 30V zener connected to this line as protection component (limits relay power supply to maximum less than 30V). Or you can connect a 12V zener rfrom common to the relay power supply plus (limits spikes to power supply voltage plus 12V, do not use higher than 30V power supply).

Here is an example of control circuit that drives eight LEDs using ULN2803 IC:



This circuit can be also used to drive other kinds of loads, for example relays, small light bulbs etc. Just replace the LED plus resistor combination with the load you want (as long as the load is within the capabilities of the ULN2803 output drive capacity). You can use for example 15V zener diode for this circuit.

Other examples of circuits implemented with ULN2803 can be found at <http://www.epanorama.net/counter.php?url=http://www.southwest.com.au/~jfuller/electronics/integrated.htm> and <http://www.epanorama.net/counter.php?url=http://www.southwest.com.au/~jfuller/sio5works.htm>.

Links to parallel port output circuits

Circuit diagram links

- [Connecting the ULN2803 to the Printer Port](#)
- [PARALLEL PORT RELAY BOARD](#) - There are 8 relays each capable of switching 12VDC/10A or 240VAC/5A. This is sold as a kit with full details on the documentation. This page gives you control software for download.
- [Parallel Port Relay Interface](#) - three examples of controlling a relay from the PC's parallel printer port
- [The Simplified I/O Interface - How it Works](#) - In this application of the ULN2803 IC, small currents available at the Printer Port are used to control devices that could not be connected directly to the Port, such as motors and relays.
- [Stepper Motor Controller Connection Diagrams](#)
- [Relay control](#) - The question of how to connect and control a relay from the parallel port came up. Here's how you can do it, even if you don't know a lot about electronics!
- [Simplified Output Interface](#) - is a simple and inexpensive output control interface for the Centronics printer port. Final cost per interface is less than \$30. The integrated circuit (IC) used is an eight line "Darlington Driver" coded ULN2803. The digital state of each of the eight lines from the printer port is used to control the IC's internal "drivers" which in turn control the LEDs. Power for the LEDs is provided by the external battery.
- [Four-Way I/O](#) is a simple and inexpensive 4-way input/output interface for the Centronics printer port. The output section is controlled by an eight line "Darlington Driver" integrated circuit (IC) called a ULN2803. The digital state of each of the eight lines from the printer port is used to control the IC's internal "drivers" which in turn control the Relays and LEDs. Power for the Relays and LEDs is provided by the 12

- volt regulator (LM 7812) via a plug pack power supply.
- [The 8-Way Relay Board](#) controls 8 relays using ULN2803 IC.
- [A Single-Channel Control Line](#) is a very simple relay controlling board that controls to parallel port. The aim was to develop a circuit simple enough to be manufactured 'from the ground up' on the first day of the weekend and then spend the second day developing software to run it. This circuit is based on one transistor controlling a relay.
- [Parallel Port Relay Interface](#) gives examples of controlling a relay from the PC's parallel printer port (LPT1 or LPT2). There are examples for a solid state relay and normal relay controlling. Also parallel port reading is covered.

Probably useful kit / module products

The following electronics kits are believed to be useful to the readers that do not want to build their interfacing electronics from scratch. Those modules / kits should all be controllable in the same way as my examples above have described the parallel port use. I have personally tested Kemo M125. Information on other products are based on looking at their circuit diagrams and/or control software operation.

- [Br 848 8 Kanals Parallelport Styring](#) - This kit is a 8 channel optoisolated open collector output card for PC. The product web page has downloadable control software for Win-XP/2000. Software comes with some source code examples.
- [Kemo B210](#) - 8-Channel-relay board for switching different appliances, lamps or motors by means of a computer program. The relay points can be loaded up to 3A 25V each at maximum. Operating voltage of the relay board: 12V DC 0.8A.
- [Kemo M104](#) - 4-Channel computer switch for switching up to 4 different appliances, lamps or motors by means of a computer program. Consumers with operating voltages of 6...24V, max. 2A total direct current can be controlled. This module handles only 4 first outputs.
- [Kemo M125](#) - Relay module for switching up to 8 different appliances, lamps or motors according to a computer program (software is enclosed). The installed solid-state-relays may switch voltages up to 40V and loads up to 0,4A (DC) or 0,2A (AC). There is control software downloadable for DOS and Windows.
- [PARALLEL PORT RELAY BOARD](#) - There are 8 relays each capable of switching 12VDC/10A or 240VAC/5A. This is sold as a kit with full details on the documentation. This page gives you control software for download.
- [K2634 QUAD TRIAC SWITCH CARD](#) - Relays are usually used to switch AC voltages by means of an electronic control because of their simplicity. However, when switching occurs too frequently or too quickly the life time of the contact points is shortened considerably. This can be solved perfectly by replacing the relays with a triac. Using optocouplers, the entire interface network remains electrically isolated from the voltage that has to be switched.
- [Robotics Resources](#) offers Simplified I/O Interface and 8 Way Relay Board in kit form.

Ready made control software

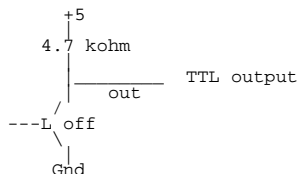
Here is a collection of links to ready made parallel port control software. There is a wide variety of different software available for different operating systems and different use. Pick up one that suits best for your uses.

- Kemo M125 kit web page at <http://www.epanorama.net/counter.php?url=http://www.kemo-electronic.com/en/module/m125/> has control software available for download. Those software allows controlling of outputs manually and timed operation. Windows software runs in WIN9x, WIN2K and WINXP. There is also programming C source code example available.
- Parallel port relay relay board kit described at <http://www.epanorama.net/counter.php?url=http://electronickits.com/kit/complete/elec/ck1601.htm> comes with Windows and DOS control software that can be downloaded at the kit page. This software runs at Windows 9x/2000/ME/XP.
- Parallel port relay relay board kit described at <http://www.epanorama.net/counter.php?url=http://electronickits.com/kit/complete/elec/ck1601.htm> comes with Windows and DOS control software that can be downloaded at the kit page. Documentation for DOS utilities that come with package can be found at <http://www.epanorama.net/counter.php?url=http://www.qkits.com/serv/qkits/diy/pages/QK74.asp>.
- Parallel port monitors page at <http://www.epanorama.net/counter.php?url=http://neil.fraser.name/software/lpt/> has programs that allow you to set and monitor parallel port pin states. The software is available for few different versions that work on Windows 98 / ME / NT / 2000 / XP and DOS / Windows 3.1 / 95 / 98 / ME systems. The software is written using Visual Basic and Euphoria programming languages and comes with source code.
- DMXcontrol Show Control software at <http://www.epanorama.net/counter.php?url=http://www.dmxcontrol.de/> is designed to control lighting instruments connected to DMX-512 bus. In addition to different DMX-512 interface drivers, this software comes also with simple parallel port driver called Parallelport. This Parallelport driver maps 12 first control channels to parallel port output pins (8 first come to data lines as the circuits in this document uses, rest go to parallel port control output lines). You just define each pin you want to control to be "Generic Dimmer" and use the light controlling interface sliders to control parallel port pins freely: putting the control slider below center point keeps corresponding output low (logic 0), and above center point sets the output high (logic 1). Other option is to set the pins you want to control as "Generic OnOff", and now the control has one on/off button that changes it's state when presses. DMXcontrol software works on Windows systems. This software supports Sound-to-Light functions ("light organ-effects") when connected with audio-program Winamp (www.winamp.com). You need to install the Driverlinx PortIO (link provided on software download page) to make parallel port to work.
- MatPLC at <http://www.epanorama.net/counter.php?url=http://mat.sourceforge.net/> is a PLC-like program for Linux (PLC = Programmable Logic Controller), licensed under the GNU GPL. This software supports controlling of the parallel port output pins according your control program (can be written with C, Python or several IEC61131 control languages). This is worth to check if you are thinking of industrial automation applications. This software comes with source code. This software runs on Linux system.
- Parallel Port Debug Tool at <http://www.epanorama.net/counter.php?url=http://www.beyondlogic.org/pardebug/pdebug.htm> is a handy DOS utility when debugging devices connected to the Parallel Port. It gives a visual display of the three software registers used by the Standard Parallel Port. Each individual bit can be turned on or off by a simple click of the mouse. This software comes with source code.

Using control outputs

In addition to the data pins the parallel port has four other output pins. Those are handshake pins STROBE (pin 1), AF (pin 14), RESET (pin 16) and SELECT (pin 17). Those outputs give TTL level signals, but are constructed electrically differently and controlled with a different control register.

The control outputs are generally constructed as open collector output with internal pull-up resistor.



This kind of outputs can't source much of anything (about 1 mA through the 4.7K resistors to +5), and can only sink about 7mA. This kind of output can control TTL inputs fine, and might be able to run an optocoupler or solid state relay in sink mode (depends on the device).

The programming of the parallel port control registers is made by writing suitable values to the handshake line control register (parallel port I/O address plus two). More details on the parallel port register summary later in this document.

Note: There can be somewhat different implementations on some PCs. For example once very popular (many years ago) UM82C11-C chip implements the control outputs as standard TTL outputs with lower (1.5 mA) current capacity instead of traditional open collector circuit with pull-up resistors.

Reading the input pins in parallel port input pins

PC parallel port has 5 input pins. Those inputs can accept TTL level signals (0-0.7V = logic 0, 2.4-5V = logic 1). You can connect a TTL level output signal to it directly (remember to attach the signal source ground to parallel port ground). You can connect simple switches to the inputs by connecting the switch between parallel port ground and input pin, and then adding a 10 kohm pull-up resistor from the pin to +5V. When the switch is activated, the pin goes to logic state 0. Usually it is a good idea to isolate the PC from the signal source, and in this case it is usually a good idea to use a relay or optocoupler (the relay/optocoupler output is wired in the place of the switch, otherwise works in the same way as the switch connection).

TIP: You can avoid using external +5V power source by using one of the parallel port output pins as one. So set one free output pin to logic 1 and wire the 10 kohm pull-up resistors to it instead of dedicated extra +5V source. For other ideas how to get that +5V power take a look at [How to get power from PC to your circuits](#) and [Simple 5V power supply for digital circuits](#).

The input pins can be read from the I/O address LPT port base address + 1.

The meaning of the bits in byte you read from that I/O port:

- D0: state not specified
- D1: state not specified
- D2: state not specified
- D3: state of pin 15 (ERROR) inverted
- D4: state of pin 13 (SELECTED)
- D5: state of pin 12 (PAPER OUT)
- D6: state of pin 10 (ACK)
- D7: state of pin 11 (BUSY) inverted

Here are some code snippets to read LPT port:

Assembler

```
MOV DX,0379H
IN AL,DX
```

You get the result from AL register

BASIC

```
N = INP(&H379);
```

Where N is the numerical value you read.

C

```
in = inportb(0x379);
```

or

```
in = inp(0x379);
```

Where N is the data you want to output. The actual I/O port controlling command varies from compiler to compiler because it is not part of standardized C libraries.

Here is a Linux reading program example that reads the state of parallel port input pins:

```
#include
#include
#include
#include

#define base 0x379          /* I/O address to read */
main(int argc, char **argv)
{
    int value;
    if (ioperm(base,1,1))
        fprintf(stderr, "Couldn't get the port at %x\n", base), exit(1);
    value = inb(base);
    printf("Port 0x%x read value is %i \n",base,value);
}

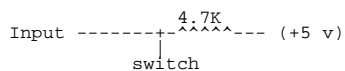
/* compile with command line
gcc -O lpt_read.c -o lpt_read */
```

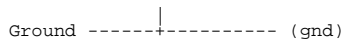
The user has to have the privileges to have access to the ports for the program to run, so you have to be root to be able to run this kind of programs without access problems. If you want to make a program which can be run by anybody then you have to first set the owner of the program to be root (for example do compilation when you are root), give the users rights to execute the program and then set the program to be always executed with owner (root) rights instead of the right of the user who runs it. You can set the program to be run on owner rights by using following command:

```
chmod +s lpt_read
```

Input circuits

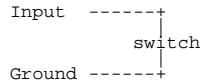
There are several ways to sense external switches via a parallel printer port. The input pins on parallel port take TTL level signals (0V to 5V). You can wire simple switches to this input with the following circuitry.



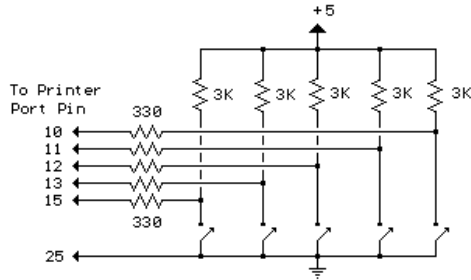


This circuit uses resistors (4.7K) from the Status inputs to +5 volts, and use switches to pull these down to ground. If you want to use all five inputs, build five circuits to different pins. One disadvantage of this is that it uses an external +5 supply. If you have spare not used data output pins free, you can set them to output and use them as the +5V source for this circuit (one data output can power several switch circuits like this).

TTL inputs in the parallel port tend somewhat to float high, so you might get by without the pullup resistors, but you are pushing it (might not work reliably).

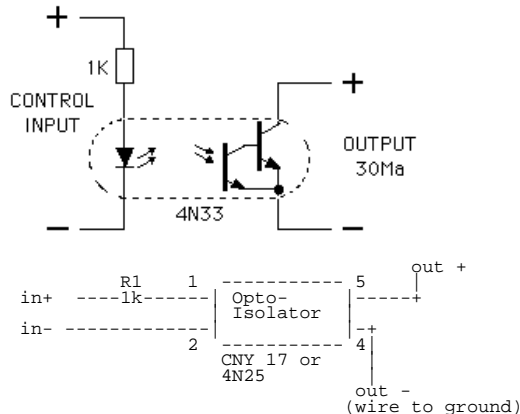


Example circuit for five channel parallel port input circuit for switches. This circuit used 3 kohm pull-up resistors and extra 330 "safety" resistors between the parallel port and rest of the circuit.



You can modify those circuit ideas for other applications as well. You can for example replace the switch in the circuit with a relay output contact or optocoupler output side. In this way you can get signals nicely to the PC and keep the PC isolated from your control circuitry.

The following circuits can be used isolate external when connecting to parallel port. Wire the output side of the optocoupler (on the right side) to the parallel port input circuit in place of the switch in the circuit above. If you wish the control from both switch and external signal, you can wire the optocoupler output in parallel with the switch in the circuit. Please note to put the optocoupler out - wire to the side that connects to the circuit ground (if you wire optocoupler the wrong way they will not work).



The input voltage that you can feed to the input of the optocoupler can be from few volts to 30 volts. The minimum voltage the circuit starts to activate the printer port signal varies depending on used optocoupler (generally from few volts up, input voltage below 1V will not activate port for sure). Be careful to feed the input signal at right polarity to the optocoupler input (wrong polarity signal can damage optocoupler).

Parallel port input circuit example links

- [Your PC's Printer Port: a Window on the Real World](#)
- [Parallel Port Relay Interface](#) gives examples of controlling a relay from the PC's parallel printer port (LPT1 or LPT2). There are examples for a solid state relay and normal relay controlling. Also parallel port reading is covered.
- [Four-Way I/O](#) is a simple and inexpensive 4-way input/output interface for the Centronics printer port. The output section is controlled by an eight line "Darlington Driver" integrated circuit (IC) called a ULN2803. The digital state of each of the eight lines from the printer port is used to control the IC's internal "drivers" which in turn control the Relays and LEDs. Power for the Relays and LEDs is provided by the 12 volt regulator (LM 7812) via a plug pack power supply. There is a four channel input for switch status information.

Ready made reading software

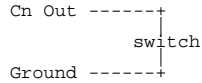
Parallel port monitors page at <http://www.epanorama.net/counter.php?url=http://neil.fraser.name/software/lpt/> has programs that allow you to set and monitor parallel port pin states. The software is available for few different versions that work on Windows 98 / ME / NT / 2000 / XP and DOS / Windows 3.1 / 95 / 98 / ME systems. The software is written using Visual Basic and Euphoria programming languages and comes with source code.

[Zoomkat's "El Cheapo" Parallel Port Contact/Switch Monitor](http://www.epanorama.net/counter.php?url=http://www.geocities.com/zoomkat/status.htm) page at <http://www.epanorama.net/counter.php?url=http://www.geocities.com/zoomkat/status.htm> describes how to make a web controlled parallel port contact/switch monitor. The schematic shows how to wire up the data and status pins of the parallel port. The page gives you a batch file and qbasic file in the apache cgi-bin folder along with a copy of qbasic.exe.

More input pins

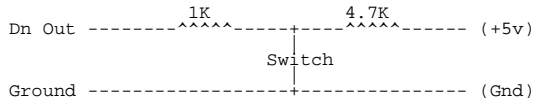
If you are not happy in just five existing printer port input pins, there are tricks to add more input pins.

If you are dealing with naked switches, the simplest is actually to connect up to 4 switches between the control outputs (pins 1,14,16, and 17) and ground, program the control outputs high (counting inversions), and use the control feedback register to read switch state (counting inversions). So program output high and then read feedback.



You could also use the 8 data lines in parallel port for input if you have bidirectional printer port. In theory if everything is set right, you could just wire switches to the data pins as above, but in practice this is not a good idea. To safely connect switches to data lines, you need to be sure that the outputs are tristated beforehand, or your switches shorting the pins to ground may damage the parallel port IC. This may be a problem after booting or rebooting where you can't be sure of the printer port operation mode (usually by default data pins are output).

One practical approach is to use current limiting resistors in series "just in case" and then some pull-up resistors too.



Parallel port software registers technical summary

The following port description applies to Standard Parallel Port (SPP).

Offset	Name	Read/Write	Bit No.	Properties
Base + 0	Data Port	Write	Bit 7	Data 7
			Bit 6	Data 6
			Bit 5	Data 5
			Bit 4	Data 4
			Bit 3	Data 3
			Bit 2	Data 2
			Bit 1	Data 1
			Bit 0	Data 0

This Data Register is simply used for outputting data on the Parallel Port's data lines (Pins 2-9). If your port is bi-directional, you can receive data on this address.

Offset	Name	Read/Write	Bit No.	Properties
Base + 1	Status Port	Read Only	Bit 7	Busy
			Bit 6	Ack
			Bit 5	Paper Out
			Bit 4	Select In
			Bit 3	Error
			Bit 2	IRQ (Not)
			Bit 1	Reserved
			Bit 0	Reserved

The Status Port (base address + 1) is a read only port. Any data written to this port will be ignored. Please note that Bit 7 (Busy) is a active low input.

Offset	Name	Read/Write	Bit No.	Properties
Base + 2	Control Port	Read/Write	Bit 7	Unused
			Bit 6	Unused
			Bit 5	Enable Bi-Directional Port
			Bit 4	Enable IRQ Via Ack Line
			Bit 3	Select Printer
			Bit 2	Initialize Printer (Reset)
			Bit 1	Auto Linefeed
			Bit 0	Strobe

The Control Port (base address + 2) is intended as a write only port. When a printer is attached to the Parallel Port, four "controls" are used. These are Strobe, Auto Linefeed, Initialize and Select Printer, all of which are inverted except Initialize.

You can use the putput pins on this port also for input. The Control Port must be set to xxxx0100 to be able to read data, that is all pins to be +5v at the port so that you can pull it down to GND (logic 0) with your external hardware. A 4.7k resistor to +5V might be to pull the pin high when you are not pulling it low. The data is read form the same address you normally write data to.

<= in => out	DB25 pin	Cent pin	Name of Signal	Reg Bit	Function Notes
=>	1	1	-Strobe	C0-	Set Low pulse >0.5 us to send
=>	2	2	Data 0	D0	Set to least significant data
=>	3	3	Data 1	D1	...
=>	4	4	Data 2	D2	...
=>	5	5	Data 3	D3	...
=>	6	6	Data 4	D4	...
=>	7	7	Data 5	D5	...
=>	8	8	Data 6	D6	...
=>	9	9	Data 7	D7	Set to most significant data
<=	10	10	-Ack	S6+	IRQ Low Pulse ~ 5 uS, after accept
<=	11	11	+Busy	S7-	High for Busy/Offline/Error

```

<= 12 12 +PaperEnd S5+ High for out of paper
<= 13 13 +SelectIn S4+ High for printer selected
=> 14 14 -AutoFd C1- Set Low to autofeed one line
<= 15 32 -Error S3+ Low for Error/Offline/PaperEnd
=> 16 31 -Init C2+ Set Low pulse > 50uS to init
=> 17 36 -Select C3- Set Low to select printer
== 18-25 19-30, Ground
33,17,16

```

Port	R/W	IOAddr	Bits	Function
Data Out	W	Base+0	D0-D7	8 LS TTL outputs
Status In	R	Base+1	S3-S7	5 LS TTL inputs
Control Out	W	Base+2	C0-C3	4 TTL Open Collector outputs
"	W	Base+2	C4	internal, IRQ enable
"	W	Base+2	C5	internal, Tristate data [PS/2]
Data Feedback	R	Base+0	D0-D7	normally matches Data Out *
Control Feedback	R	Base+2	C0-C3	normally matches Control Out *
"	R	Base+2	C4	internal, IRQ enable readback

* NOTE: Can be different than written output state in certain cases where external circuit actively pulls the pin to different state parallel port tries to drive it. For example if output is written to be logic high, and the pin is shorted to ground (for example when pin is used as input), feedback reading tells the pin state to be low.

Note on parallel port bidirectional parallel port operation: Different manufacturers implement their bi-directional ports in different ways.

Notes on parallel port operation during computer boot-up

The parallel port operation when the computer boots up can vary somewhat between different computers. I don't know that that the exact operation of parallel port during boot-up would be standardized anywhere.

In simplest case the parallel port data pins state might be random in the beginning, and quickly set to all at logic 0 state. That's how things worked on old PCs usually. Some new PCs running modern Windows versions seem to leave the parallel port pins all logic 1 (+3..5V). On some computers the pin states can change a few times during the boot process, meaning if you have connected LEDs to parallel port pins you can see them flashing. For example many laptop computers like to send boot time diagnosing codes to the parallel port data pins. During the boot process the code sent to parallel port can change several times. Generally you can't count on the state what the parallel port pins have until you write a defined state to them.

When controlling some electronics with PC parallel port the best idea is the following sequence:

1. Make sure the devices you plan to control are not powered up (so it does not matter if PC data pins change state).
2. Boot-up the PC normally
3. Start your controlling software (this sets parallel port to right state)
4. Power-up the device you plan to control

In this way the device will not get any control signal you did not design it to get, no matter what happens during power-up.

Notes on different parallel port versions

The first PC-compatible parallel printer ports were unidirectional, allowing 8-bit data transfer only from the host to the peripheral. These early Standard Printer Ports (SPP) implemented eight data lines and used nine handshaking lines, four output from the host and five input to the host. The SPP type implemented three registers for the control and monitoring of the data and handshaking lines; these are the data port, status port, and control port. The SPP type parallel ports are most commonly used for printers, plotters, keys, etc. Generally all modern parallel ports can operate in SPP mode. The maximum cable distance between computer and peripheral could only extend 6 feet.

Later came the PS/2 type bi-directional parallel port (BPP); this bi-directional port simply added the capability to read 8-bit data from the peripheral to the host. This parallel port type also implemented the same three registers as used by SPP for the control and monitoring of the data and handshaking lines; these are the data port, status port, and control port. In addition to normal operations there is one extra bit on control port that can set the data pins to output or input mode.

The IEEE 1284 standard, "Standard Signaling Method for a Bi-directional Parallel Peripheral Interface for Personal Computers", sought to correct the major drawbacks to the original parallel port structure. IEEE 1284 sets standards for the cable, connector, and electrical interface, which guarantee interoperability between all parallel peripherals. The specified configuration ensures that data integrity is maintained, even at the highest data rates, and at a distance of up to 30 feet. Two new types of parallel ports with extended features are now available: the Enhanced Parallel Port (EPP) and the Extended Capabilities Port (ECP). EPP and ECP are standards defined by IEEE 1284 and Microsoft ECP Specifications. Both EPP and ECP ports may be operated in the SPP and bi-directional modes; however, operation in their feature modes requires both compatible peripherals and appropriate software drivers. Generally, EPP is used primarily by non-printer peripherals, CD ROM, tape drive, hard drive, network adapters, etc., while ECP is aimed at newer generation of printers and scanners. Currently, new products have been released having support for a mixture of these protocols. With EPP, the software driver may intermix read and write operations without any overhead or protocol handshaking. With the ECP protocol, changes in the data direction must be negotiated.

The I/O interface on EPP and ECP ports is somewhat different from normal I/O port controls. They can be viewed as supersets of SPP. An EPP parallel port implements two registers in addition to the standard data, status, and control ports. The outputs are tri-stateable outputs allow the EPP port to be used as a data bus for multiple EPP compatible devices. The entire data transfer occurs within one ISA I/O cycle. An ECP parallel port features two special modes, namely data and command cycles. In the Parallel Port Data FIFO Mode, data written or DMAed to a 16-byte FIFO is automatically transferred to a peripheral using standard parallel port protocol. The ECP Parallel Port Mode allows bi-directional data transfer using automatic interlocked handshaking via the ECP protocol. When the ECP protocol was proposed, a standard register implementation was also proposed through Microsoft ECP Specification. ECP protocol is meant to be driven by DMA rather than explicit I/O operations. ECP protocol is commonly seen on parallel port on motherboards and on high-end parallel port cards that plug to ISA bus, but often not on PCI bus parallel port cards (because PCI bus does not support ISA bus type DMA transfers).

Many modern parallel ports support SPPI, BPP, ECP and EPP modes, or at least most of them. On some systems and interface cards there has been even options to select in which operation mode it work (so avoid any potential problems).

On the simple I/O controlling operations I have described in this document there are no benefits of any better than SPP operation modes. Usually the controllign of the parallel port should work with simple I/O routines directly for most of the ports, no matter what operation modes they support. In some rare cases if you have problems, try setting the port to SPP mode, it should be guaranteed to work correctly with the I/O controlling examples I have given.

Notes on PCI bus parallel port cards

I have not played much with parallel port card that plug to PCI bus, but I have seen cases where the parallel port that plugs to PCI bus does not work properly with legacy software, meaning a software that control parallel port directly at I/O bus level. It seems that the PCI parallel ports are different hardware than normal parallel ports, at least sit at different I/O address. The parallel port driver (comes with the card or built into Windows) makes the parallel port card to look like normal parallel port to high level applications, even though the internal operation is different than in traditional ports. I have been told that in systems where there was both ISA and PCI bus, the I/O address range normally used for parallel

ports was limited to be only accessible though ISA bus, meaning that the ports on PCI bus needed to be on different I/O address (higher I/O address). Nowadays when the ISA bus has practically disappeared from desktop computers, and things could be different. I have seen as <http://www.epanorama.net/counter.php?url=http://www.lpt.com/Products/DualPciParallelAdapter/dualpciparalleladapter.htm> a parallel port card that claims to Automatically Configure itself for an available I/O address (3BC, 378 or 278), avoiding the need for reconfiguration for legacy parallel port peripherals (e.g. Zip. Drives). This kind of card might work with the examples above. Some other cards seem to work on different addresses.

For example web page http://www.epanorama.net/counter.php?url=http://www.tharo.com/nettroub/pci_parallel_adapter.htm seems to show some details of CyberParallel PCI adapter. This CyberParallel PCI adapter seems to be in the example at 1088-108F and 1080-1083 IO addresses (addresses in hex). According other details it could be that the card itself would work similarly to normal printer port, but the I/O address is just different. If you have a PCI parallel port card, this could be one option. Find out the I/O port address of it, and then try my parallel port controlling examples with that I/O address.

The web page http://www.epanorama.net/counter.php?url=http://www.dta.it/support/manuals/html/dcl/group_addr.html titled [Parallel port address on ISA or PCI bus](#) lists the following I/O addresses for different parallel ports (both ISA and PCI port addresses listed):

```
#define LPT0 0x3BC
EPP Standard parallel port at 3BCH address.

#define LPT1 0x378
EPP Standard parallel port at 378H address.

#define LPT2 0x278
EPP Standard parallel port at 278H address.

#define LPT3 0x27C
EPP Standard parallel port at 27CH address.

#define LPT4 0x26C
EPP Standard parallel port at 26CH address.

#define LPT5 0x268
EPP Standard parallel port at 268H address.

#define PCI0 0x9800
EPP Standard parallel port at 9800H address.

#define PCI1 0xA000
EPP Standard parallel port at A000H address.

#define PCI2 0xA400
EPP Standard parallel port at A400H address.

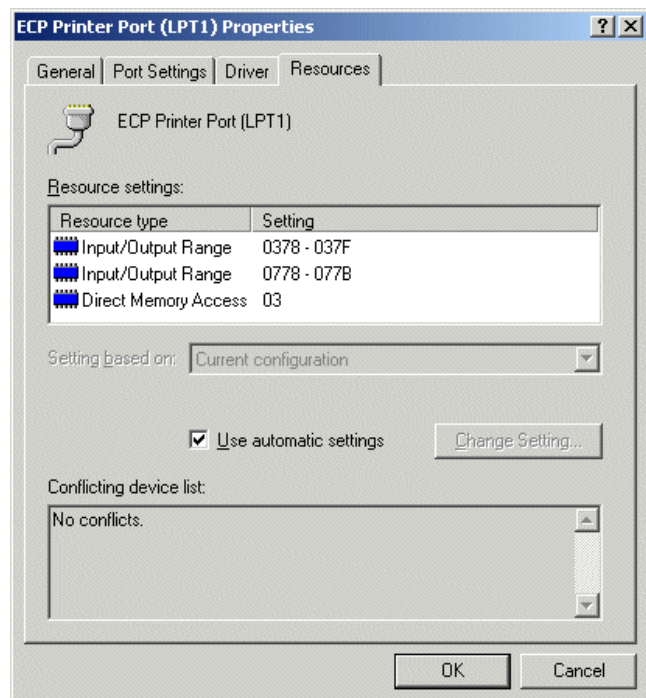
#define PCI3 0xA800
EPP Standard parallel port at A800H address.

#define PCI4 0xB000
EPP Standard parallel port at B000H address.

#define PCI5 0xB400
EPP Standard parallel port at B400H address.
```

I have not tested those I/O addresses myself.

On modern Windows systems (I tested in Windows 2000) you can get to know the parallel port I/O address through device manager. First open the device manager (start - settings - control panel - system - hardware - device manager). Then select there the parallel port you are interested from Ports (COM & LPT) section. With mouse right button you can get menu where you select Properties. From there select Resources where you should see a screen like this:



The details in this image are from the parallel port built into the motherboard of my PC.

Hopefully this information I have provided is useful to somebody as a starting point of experiments. If anyone has more details, those are welcome.

Notes on USB parallel port adapters

The USB-Parallel Port Adapter enables users to connect parallel port interfaced devices like printers to a desktop or laptop PC via the PC's USB

port. As USB becomes increasingly popular, and newer laptop PCs are without parallel and/or serial ports. Older PCs tend to have a parallel port but no USB, newer PCs have both, and tomorrow's PCs will typically have USB but no parallel port.

The parallel port through this kind of adapter looks pretty same as normal parallel port for high level programs on Windows system. The low level implementation of them is completely different, and the low level I/O control operations described in this document do not work with USB parallel port adapters.

At this port you can forget using the USB parallel ports for your own hardware controlling. In some cases USB Parallel Printer Adapter can be useful. With USB Parallel Printer Adapter you can attach your printer to your USB port and make room for your own circuits on the existing legacy parallel ports on your system.

USB parallel ports are generally targeted for driving normal printers, and not designed for anything else. When using a HP Officejet or other multifunction product, this USB to parallel port adapters will only allow access of the printer capability. It will not work with the faxing and scanning capabilities of the multifunction product. And it will either work for the direct output pin controlling described in this document.

If your computer does not have parallel port anymore, and all you can use is USB, then maybe you need to consider making the I/O you need with a dedicated industrial I/O card that plugs to USB port. This kind of products are available, and they typically come with their own controlling software and their own programming libraries that can be used to control them.

Other documents worth to check

- [Interfacing the Standard Parallel Port](#) - This is a very complete introduction to PC parallel ports and interfacing to them.
- [Inpout32.dll for WIN_NT/2000/XP](#) - This article describes how to talk to parallel port with Inpout32.dll library on WIN 98/NT/2000/XP systems.
- [Linux I/O port programming mini-HOWTO](#) - This HOWTO document describes programming hardware I/O ports and waiting for small periods of time in user-mode Linux programs running on the Intel x86 architecture.
- [Parallel Port Explained](#) - This document describes the differences between different parallel port types like SPP, BPP, EPP and ECP.
- [Parallel port Interfacing Tutorial](#) - This is a good general introduction to parallel port interfacing. This document has a sample program in VC++.
- [Parallel Port Hardware Properties](#) - This document describes the parallel port programming registers.
- [PC parallel port links at ePanorama.net](#)
- [PC parallel port circuit links](#)
- [Printer Port interfacing 1](#) - The description in this document involve building a simple circuit and flashing leds on/off. The examples use various programming languages such as C , C++ , QBasic , Visual Basic and even debug from DOS.

[Tomi Engdahl](mailto:then@delta.hut.fi) <then@delta.hut.fi>