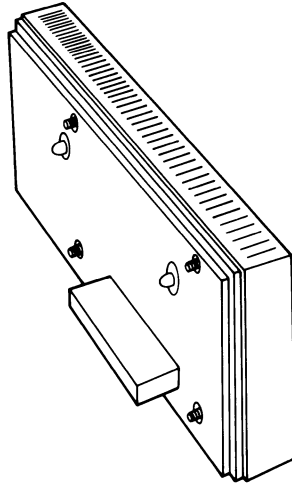
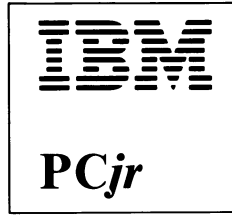


IBM PCjr 128KB Memory Expansion Attachment Installation Instructions



If your IBM PCjr has not been set up at this time, do so before installing this option.

This option consists of:

- IBM PCjr 128KB Memory Expansion Attachment
- *Using Your IBM PCjr Memory Options* with diskette

If any items are missing or damaged, notify your place of purchase.

The warranty terms and conditions applicable in the country of purchase (except for the U.S. and Puerto Rico) in respect of an IBM Personal Computer product are available from the supplier. Please retain them with your proof of purchase.

LIMITED WARRANTY (APPLIES TO U.S. AND PUERTO RICO ONLY)

The International Business Machines Corporation warrants this IBM Personal Computer Product to be in good working order for a period of one year from the date of purchase from IBM or an Authorized IBM Personal Computer Dealer. Should this Product fail to be in good working order at any time during this one year warranty period, IBM will, at its option, repair or replace this Product at no additional charge except as set forth below. Repair parts and replacement Products will be furnished on an exchange basis and will be either reconditioned or new. All replaced parts and Products become the property of IBM. This limited warranty does not include service to repair damage to the Product resulting from accident, disaster, misuse, abuse, or non-IBM modification of the Product.

Limited Warranty service may be obtained by delivering the Product during the one year warranty period to an Authorized IBM Personal Computer Dealer, or any IBM Service/Exchange Center and providing proof of purchase date. If this Product is delivered by mail, you agree to insure the Product or assume the risk of loss or damage in transit, to prepay shipping charges to the warranty service location and to use the original shipping container or equivalent. Contact an Authorized IBM Personal Computer Dealer or write to IBM Personal Computer, Sales and Service, P.O. Box 1328-W, Boca Raton, Florida 33432, for further information.

IBM HEREBY DISCLAIMS ALL OTHER EXPRESS AND IMPLIED WARRANTIES FOR THIS PRODUCT, INCLUDING THE WARRANTIES OF MERCHANTABILITY AND FITNESS FOR A PARTICULAR PURPOSE. SOME STATES DO NOT ALLOW THE EXCLUSION OF IMPLIED WARRANTIES, SO THE ABOVE LIMITATIONS MAY NOT APPLY TO YOU.

IF THIS PRODUCT IS NOT IN GOOD WORKING ORDER AS WARRANTED ABOVE, YOUR SOLE REMEDY SHALL BE REPAIR OR REPLACEMENT AS PROVIDED ABOVE. IN NO EVENT WILL IBM WILL LIABLE TO YOU FOR ANY DAMAGES, INCLUDING ANY LOST PROFITS, LOST SAVINGS OR OTHER INCIDENTAL OR CONSEQUENTIAL DAMAGES ARISING OUT OF THE USE OF OR INABILITY TO USE SUCH PRODUCT, EVEN IF IBM OR AN AUTHORIZED IBM PERSONAL COMPUTER DEALER HAS BEEN ADVISED OF THE POSSIBILITY OF SUCH DAMAGES, OR FOR ANY CLAIM BY ANY OTHER PARTY.

SOME STATES DO NOT ALLOW THE EXCLUSION OR LIMITATION OF INCIDENTAL OR CONSEQUENTIAL DAMAGES FOR CONSUMER PRODUCTS, SO THE ABOVE LIMITATIONS OR EXCLUSIONS MAY NOT APPLY TO YOU.

THIS WARRANTY GIVES YOU SPECIFIC LEGAL RIGHTS, AND YOU MAY ALSO HAVE OTHER RIGHTS WHICH MAY VARY FROM STATE TO STATE.

FOR WARRANTY SERVICE OR ASSISTANCE IT IS RECOMMENDED THAT THIS PRODUCT BE RETURNED TO THE AUTHORIZED IBM PERSONAL COMPUTER DEALER FROM WHOM IT WAS PURCHASED OR TO ANY IBM SERVICE/EXCHANGE CENTER.

Contents

Introduction	3
Installation Requirements	4
Tools Required	4
Installation Instructions	5
Switch Settings	10

Notes:



Introduction

Each 128KB Memory Expansion Attachment provides an additional 128KB of memory to your IBM PCjr. Multiple 128KB Memory Expansion Attachments can be added to provide your IBM PCjr with up to 512KB total memory.

Switches located at the rear of each 128KB Memory Expansion Attachment must be set for each 128KB Memory Expansion Attachment added to your IBM PCjr.

Installation Requirements

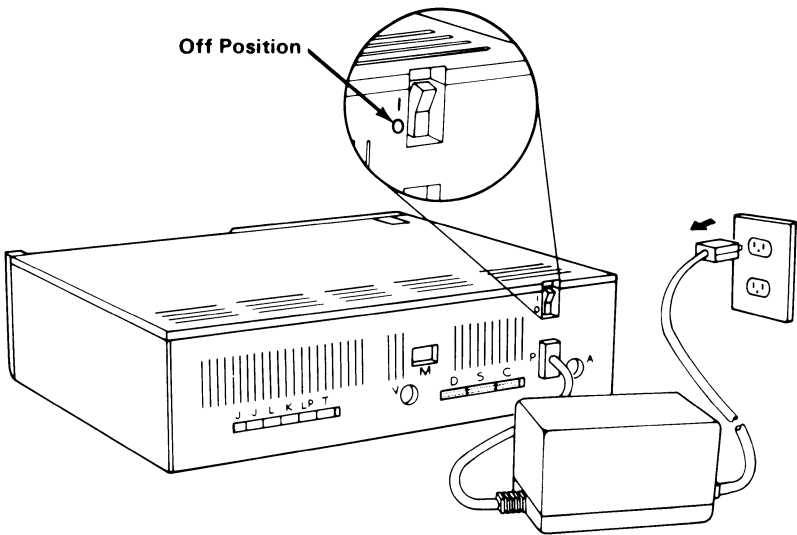
- Your IBM PCjr must be installed before you can install this option.
- A 64KB Memory and Display Expansion must be installed before you can install this option.
- A Diskette Drive must be installed before you can install this option.

Tools Required

A medium-size flat blade screwdriver is the only tool needed to install this option.

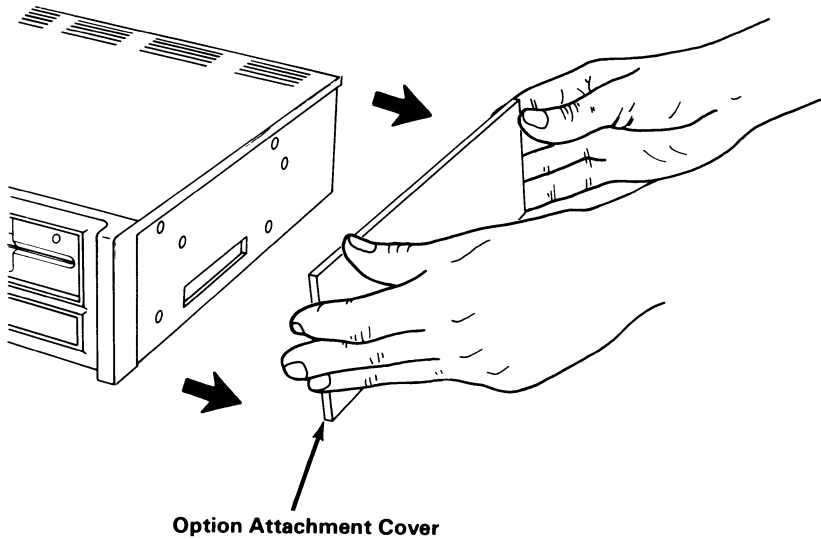
Installation Instructions

- 1** Turn your IBM PCjr power off.
- 2** Turn all external option power off (printer, TV, etc).
- 3** Unplug the power cords from your IBM PCjr and all options from their electrical outlets.

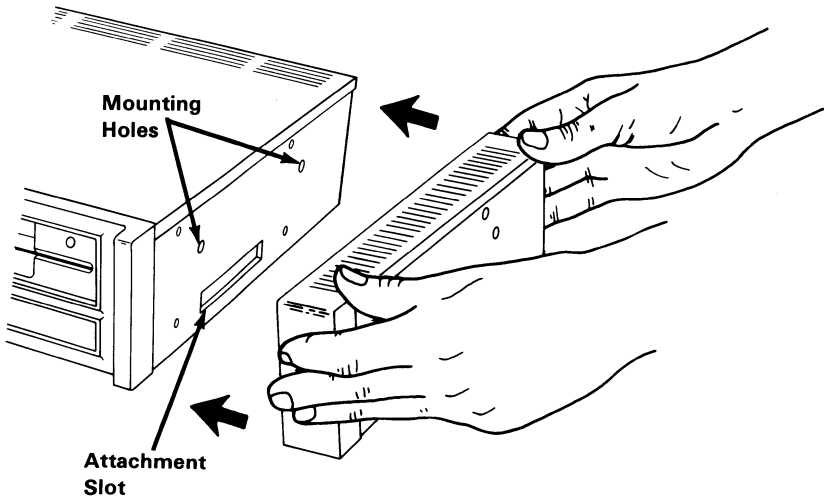


- 4 Turn your IBM PC_{jr} so the right side is toward you.
- 5 Remove the option attachment cover.

Note: It may be necessary to gently pry the cover off by inserting a screwdriver between the option attachment cover and the side of your option.

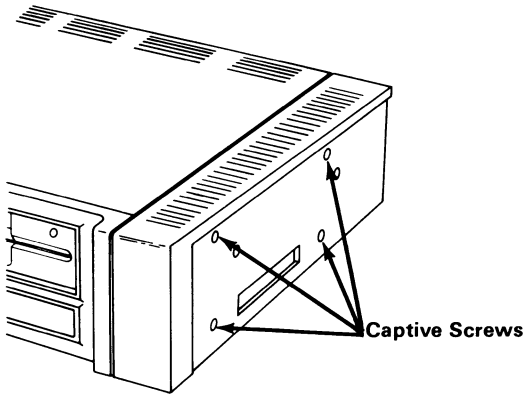


- 6** Position the 128KB Memory Expansion Attachment so the mounting holes and attachment slot line up with the mounting pins and attachment connector. Press the 128KB Memory Expansion Attachment into place.



MEMORY

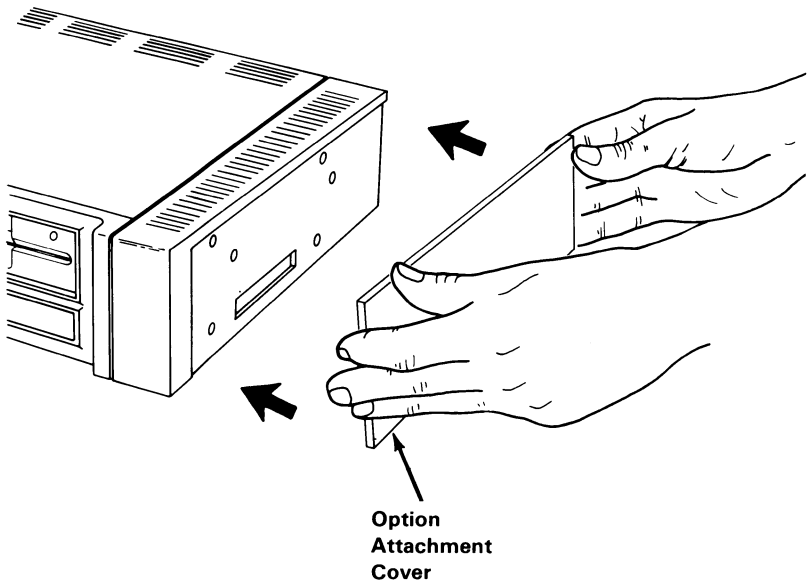
- 7** Tighten the four captive screws with a flat blade screwdriver until they are snug.



- 8** If you have additional 128KB Memory Expansion Attachments to install, repeat Steps 6, 7, and 8.

Note: If you are installing additional 128KB Memory Expansion Attachments, a Power Expansion Attachment must be installed. No more than three side attached options can be installed on a Power Expansion Attachment.

- 9** Install the option attachment cover. Make sure it is pressed firmly into the mounting holes.

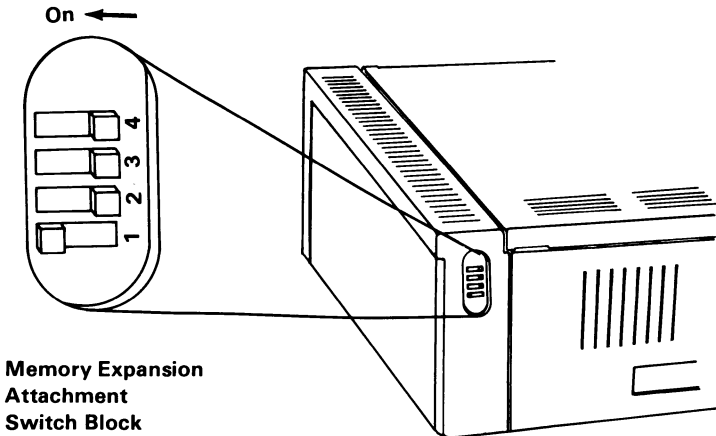


10 Set the 128KB Memory Expansion Attachment switches using the following procedure:

- a. Turn your IBM PC_{jr} so the rear is toward you.
- b. Locate a 128KB Memory Expansion Attachment switch block.

The switch block has four switches with a number (1, 2, 3, or 4) next to each switch.

Note: To set a switch ON, move the switch to the left (away from the number printed on the switch block).



- c. With 128KB memory installed inside your IBM PCjr, set the 128KB Memory Expansion Attachment switches as shown below:

1st 128KB Memory Expansion Attachment	2nd 128KB Memory Expansion Attachment	3rd 128KB Memory Expansion Attachment
1 = On 2 = Off 3 = Off 4 = Off	1 = Off 2 = On 3 = Off 4 = Off	1 = Off 2 = Off 3 = On 4 = Off

128KB Memory Expansion Attachment Switch Settings

- 11** Plug the IBM PCjr and all option power cords into their electrical outlets.

Important:

Insert these option instructions into Section 5 of the *Guide to Operations* manual.

- 12** If you have any other IBM PCjr options to install, install them at this time. If you do not have any other options to install, continue normal operations.

Refer to *Using Your IBM PCjr Memory Options* for the instructions on how to use the 128KB Memory Expansion Attachment.

Notes:

MEMORY

Notes: