

8K STATIC RAM BOARD

IA-1110

Instruction Manual

Issued Jan., 1979

© ITHACA AUDIO 1979

ALL RIGHTS RESERVED

BOARD CONSTRUCTION

Begin construction of the 8K memory board by first examining it for obvious shorts. Measure with an ohm meter between all address lines, data lines and the ground and +5 volt lines for possible shorts. The sockets are the first item that should be soldered into the PCB. Notice the orientation of the IC's against the layout and the silk-screen. All chips are orientated with the Pin 1 on the left side of the IC.

After installing the sockets, the capacitors may be soldered in next. Begin with C9 (47 uf) and C10,C11 (0.001 uf). The remaining caps are 0.1 uf. The dip switch should be installed after the caps.

Now the board should be checked with an ohm meter for possible solder bridges and shorts again as before. If none are found you may proceed.

Install the resistors, diodes and the four regulators. Heatsink compound is not required. Use 6-32 x 3/8 screws and nuts to secure the regulators. Be cautious for the correct orientation of the diodes.

POWER ON CLEAR

The jumper option "A,B,C" is for Power On Clear initialization of memory protect. With this selection you may choose for the memory protect feature of this board to be initialized in either the "Protect" or "Unprotect" mode of operation. If no standby voltage is used to retain memory data when the power is down then "Unprotect" (B to C) is the best choice. This will allow immediate use of the memory when power is first applied.

If however you choose to use the Standby Data Retention feature the "Protect" mode (B to A) is best. This will automatically put the memory in write protect when power is applied so that the processor may not erase memory before you have programmed it. After power is up you may then reset it to unprotect and use it as you desire. Make the jumper selection for the mode you want to use.

STANDBY VOLTAGE

The standby voltage is used to retain memory data while the rest of the system is off. The voltage can be generated for your system by the use of two NI-CAD batteries. This voltage may be applied to the unit on the S-100 buss Pins 13 and 14. The positive voltage should be applied to the pin marked "Standby" or Pins 13 and 14. The negative return should then be connected to Ground.

If Pins 13 and 14 are used for some other purpose in your system, you may select to cut the trace on the PCB in order to disconnect them.

WAIT STATE SELECTION

If you have 450 ns or faster memory IC's and are using an 8080 CPU, you will need zero wait states. If you then go to a faster CPU you may want to include 1, 2 or 3 wait states.

Alternately, if you used a slower memory IC you may need to allow for this by selecting enough wait states to achieve faultless operation of the memory.

8K REV. A

PARTS LIST:

4	Heat Sinks	
U1-U4	7805 Voltage Regulator (A.K.A. 340 T-5)	
U5	8 Position Dip Switch	
U6,U7	74LS85	
U8	74LS138	
U9	74LS74	
U10	74LS08	1- 4 1N4006
U11	74LS32	5 1N4148
U12	74LS02	
U13-U16	74LS04	
U17	74175	
U18,U19	74LS368	
U20-U83	2102 Type Memory	
	(not numbered on silk screen)	
RP1	4.7K	SIP
R1, R2	2.4K	1/4 watt
R3	4.7K	
R4	470	
R5	560	
C10,C11	0.001 uf	
C9	47 uf	
C1-8	and all the rest are 0.1 uf	

DESIRED MEMORY ADDRESS RANGE

ADDRESS SWITCH POSITION

K	DECIMAL	HEX	SPLIT OCTAL	A	B	C	D	E	F	G	H
1-8	1-8194	0000-1FFF	000 000-037 377	C	C	C	C	0	C	C	C
5-12	4097-12288	1000-2FFF	023 000-057 377	0	C	C	C	C	0	C	C
9-16	8193-16384	2000-3FFF	040 000-077 377	C	0	C	C	0	0	C	C
13-20	12289-20480	3000-4FFF	060 000-117 377	0	0	C	C	C	C	0	C
17-24	16385-24576	4000-5FFF	100 000-137 377	C	C	0	C	0	C	0	C
21-28	20481-28672	5000-6FFF	120 000-157 377	0	C	0	C	C	0	0	C
25-32	24577-32768	6000-7FFF	140 000-177 377	C	0	0	C	0	0	0	C
29-36	28673-36864	7000-8FFF	160 000-217 377	0	0	0	C	C	C	C	0
33-40	32768-40960	8000-9FFF	200 000-237 377	C	C	C	0	0	C	C	0
37-44	36864-45056	9000-AFFF	220 000-257 377	0	C	C	0	C	0	C	0
41-48	40961-49152	A000-BFFF	240 000-277 377	C	0	C	0	0	0	C	0
45-52	45057-53248	B000-CFFF	260 000-317 377	0	0	C	0	C	C	0	0
49-56	49153-57344	C000-DFFF	300 000-337 377	C	C	0	0	0	C	0	0
53-60	53248-61440	D000-LFFF	320 000-357 377	0	C	0	0	C	0	0	0
57-64	57345-65536	E000-FFFF	340 000-377 377	C	0	0	0	0	0	0	0

NOMENCLATURE: C = Closed (On) Address line Low
 0 = Open (Off) Address line High

In order to address your board, first determine the address space desired. Then set the select switches from the ADDRESS SWITCH POSITION Table.

8K STATIC RAM BOARD

IA-1110

USER'S CRITIQUE

To make this manual more useful to you, our customer, we will appreciate your comments and recommendations on any improvements to this manual you feel are needed. After using this manual, please take the first opportunity to complete this questionnaire and return it, postpaid, to the factory where your comments will be given every consideration. Thank you.

MANUAL ORGANIZATION

Was the Table of Contents detailed enough and useful?

Yes, No, Comment _____

Were the manual sections well organized?

Yes, No, Comment _____

GRAPHICS

How would you rate the quality of the photos, diagrams, etc.?

Excellent, Adequate, Poor

Were there enough illustrations throughout the manual?

Yes, No, Comment _____

Were the tables clear and easy to follow?

Yes, No, Comment _____

TEXT

How would you rate the quality of the technical writing?

Excellent, Adequate, Poor

If there are particular paragraphs, instructions, etc., you feel need clarification or rewriting, please identify them and add your comments. _____

GENERAL COMMENTS _____

Respondent _____ Title _____
Company _____
Address _____
City/State/Zip _____

NO POSTAGE NECESSARY IF MAILED IN U.S.A.

Fold on the two lines on reverse side, staple or tape, and mail

CUT ALONG LINE

FOLD HERE

FIRST CLASS
Permit No. 892
ITHACA, N.Y.

Business Reply Mail

No postage necessary if mailed in the United States

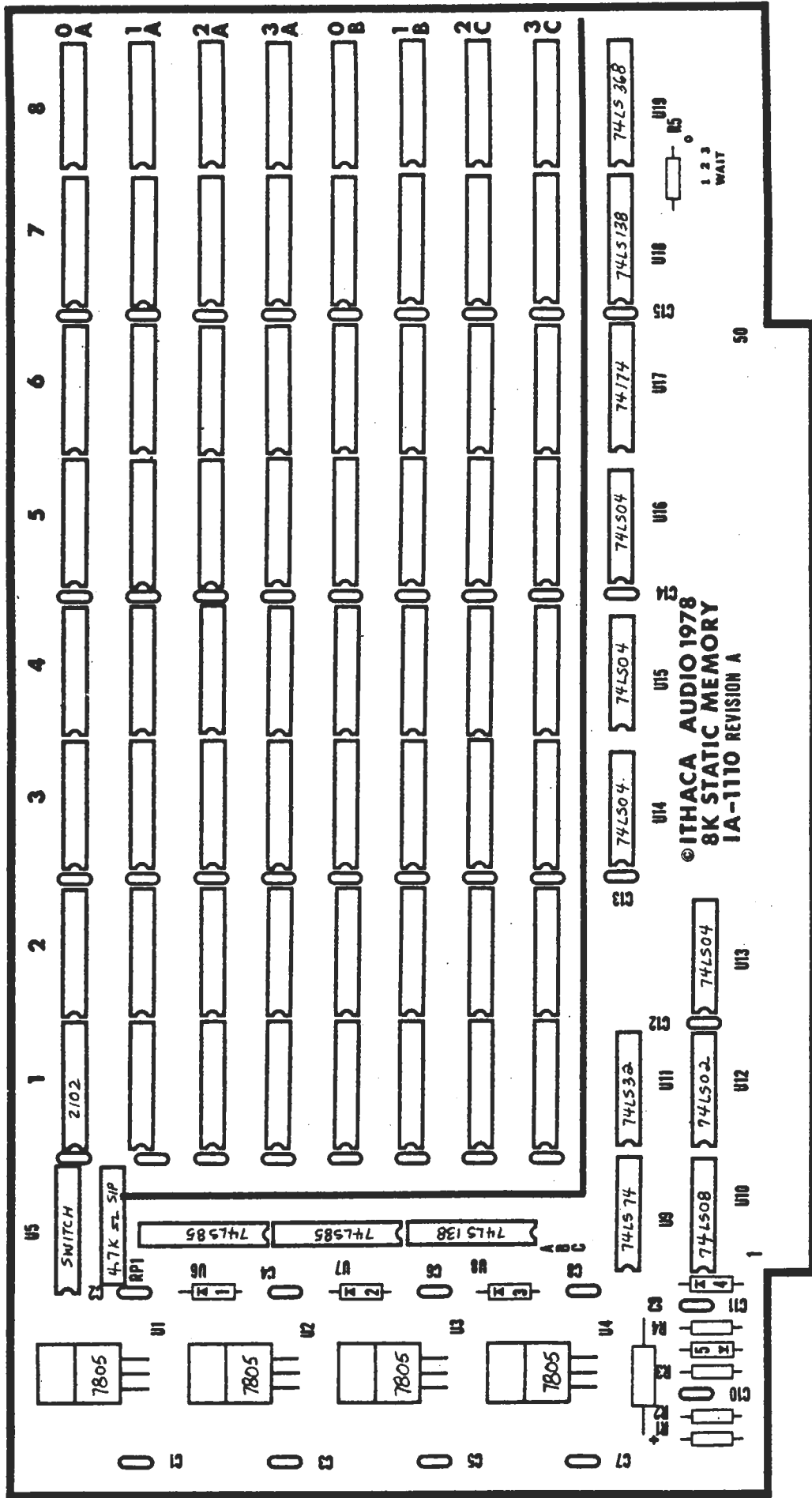
Postage will be paid by:

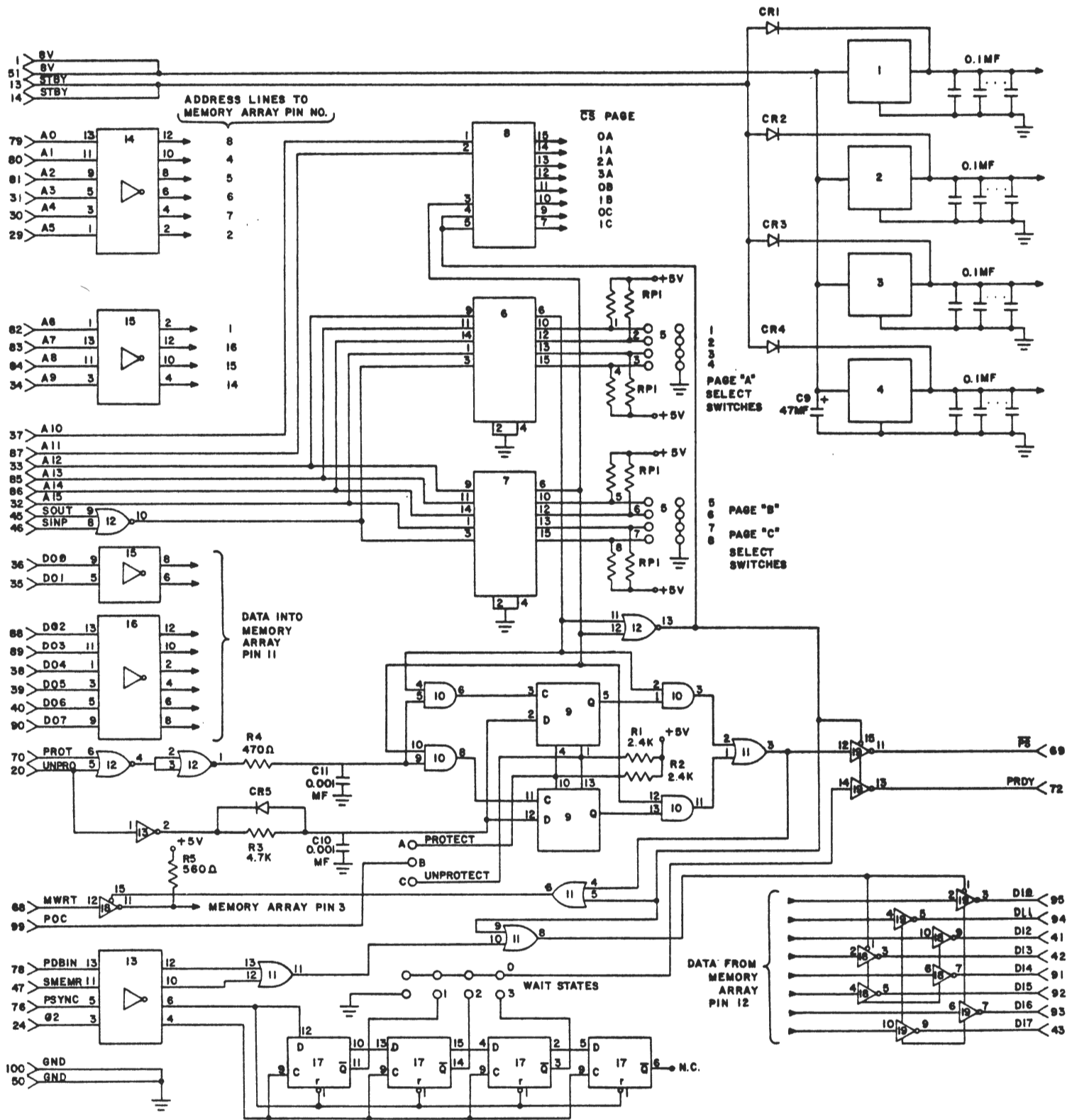
ITHACA AUDIO

P.O. Box 91
Ithaca, New York 14850

FOLD HERE

LAY-OUT DESIGN





SCALE	SHEET	OF
DRAWN	AB FALLEN	DATE 1/9/79
CHECKED	MM WILLIAMS	DATE
MATERIAL		
UNLESS OTHERWISE NOTED		
FRACTIONS	00	ANGLES
RADII	DRAFT	FINISH

ITHACA AUDIO
 P.O. BOX 91
 ITHACA, NEW YORK
 14850

CLIENT	
PROJECT	
BK STATIC RAM	
DATE	NUMBER
1/9/78	1A-1110