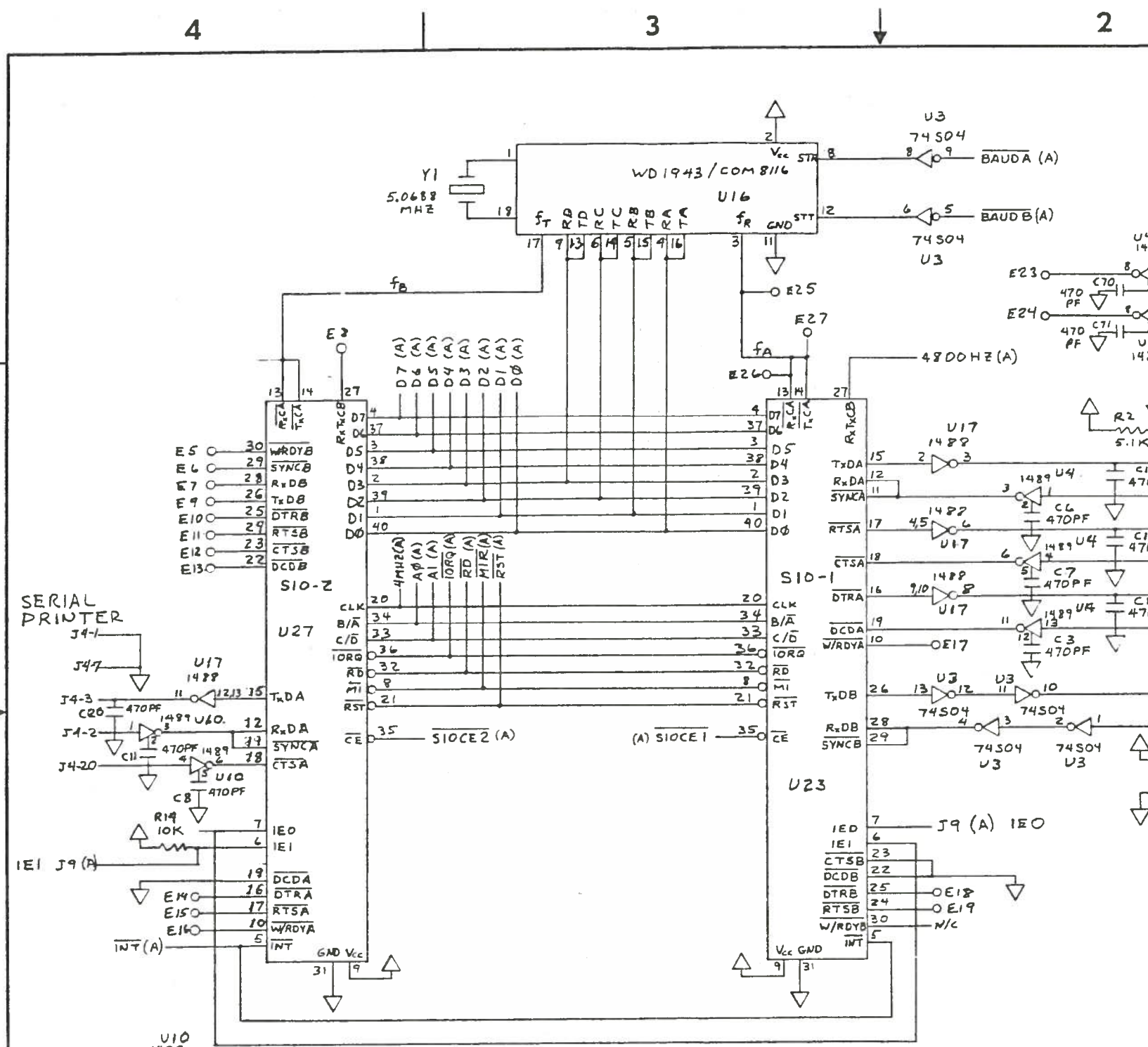


PROPRIETARY INFORMATION

Not for distribution or transmission to any other person organization or company without the permission of Non-Linear Systems, Inc.

REVISIONS					
ZONE	LTR.	EFFECT.	DESCRIPTION	DATE	APPROVED
A	ALL		INTRCNGD D0, D4, E2, D3 INTO U64	12-2-72	RJ
B	11/80N		INTRCNGD A&B SECTIONS OF U63	12-2-72	RJ
C	11/80N		REVISED SYMBOL NOS.	12-21-72	RJ
D	12/80N		ADDED CONNECTIONS TO J3-15#17	3-27-83	RJ



UNOS. USED:

MODEM

KEYBOARD

QTY REQD	PART OR IDENTIFYING NO.	NOMENCLATURE OR DESCRIPTION	MFR. CODE	CIRCUIT REF.	ITEM NO.
----------	-------------------------	-----------------------------	-----------	--------------	----------

UNLESS OTHERWISE SPECIFIED DIMENSIONS ARE IN INCHES TOLERANCES ON DECIMALS ± .010 FRACTIONS ± 1/32 ANGLES ± 0° 30'

CONTR. NO. _____
 DRAWN R J 10-4-72
 CHECK _____
 APPR R J 12-5-72
 RELEASE DATE _____

NON-LINEAR SYSTEMS, INC.
 DEL MAR, CALIFORNIA

SCHEMATIC, SERIAL PORTS

KAYPRO 10

SIZE C CODE IDENT NO. 03626 81-181

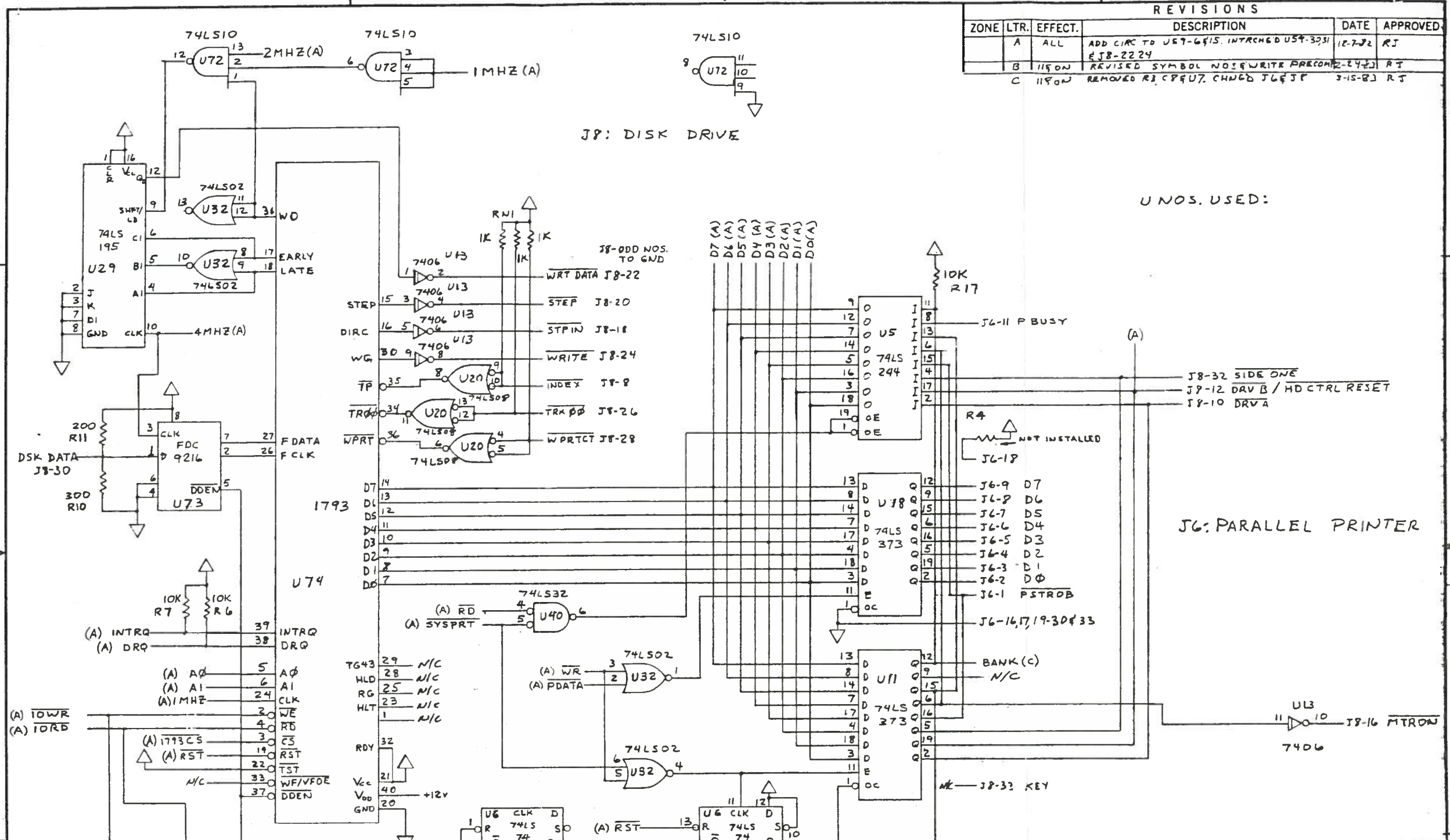
SCALE _____ WEIGHT _____ SHEET 2 E

NEXT ASSY.	FINAL ASSY.	NEXT ASSY.	FINAL ASSY.
APPLICATION		QTY.	

PROPRIETARY INFORMATION

No. or transmission to any other person organization or company without the permission of Non-Linear Systems, Inc.

REVISIONS					
ZONE	LTR.	EFFECT.	DESCRIPTION	DATE	APPROVED
A		ALL	ADD CIRC TO J8-6415. INTRCHD U54-3031	12-7-82	RJ
B		1150N	REVISED SYMBOL NOISEWRITE PRECON	2-24-83	RJ
C		1150N	REMOVED R3, CP407, CHNGD J643P	3-15-83	RJ



UNOS. USED:

QTY REQD	PART OR IDENTIFYING NO.	NOMENCLATURE OR DESCRIPTION	MFR. CODE	CIRCUIT REF.	ITEM NO.
PARTS LIST					

UNLESS OTHERWISE SPECIFIED
 DIMENSIONS ARE IN INCHES
 TOLERANCES ON
 DECIMALS ±.010
 FRACTIONS ±1/32
 ANGLES ±0°30'

NLS NON-LINEAR SYSTEMS, INC.
 DEL MAR, CALIFORNIA

SCHEMATIC FLOPPY CONTROL & PARALLEL PRINTER

KAYPRO 10

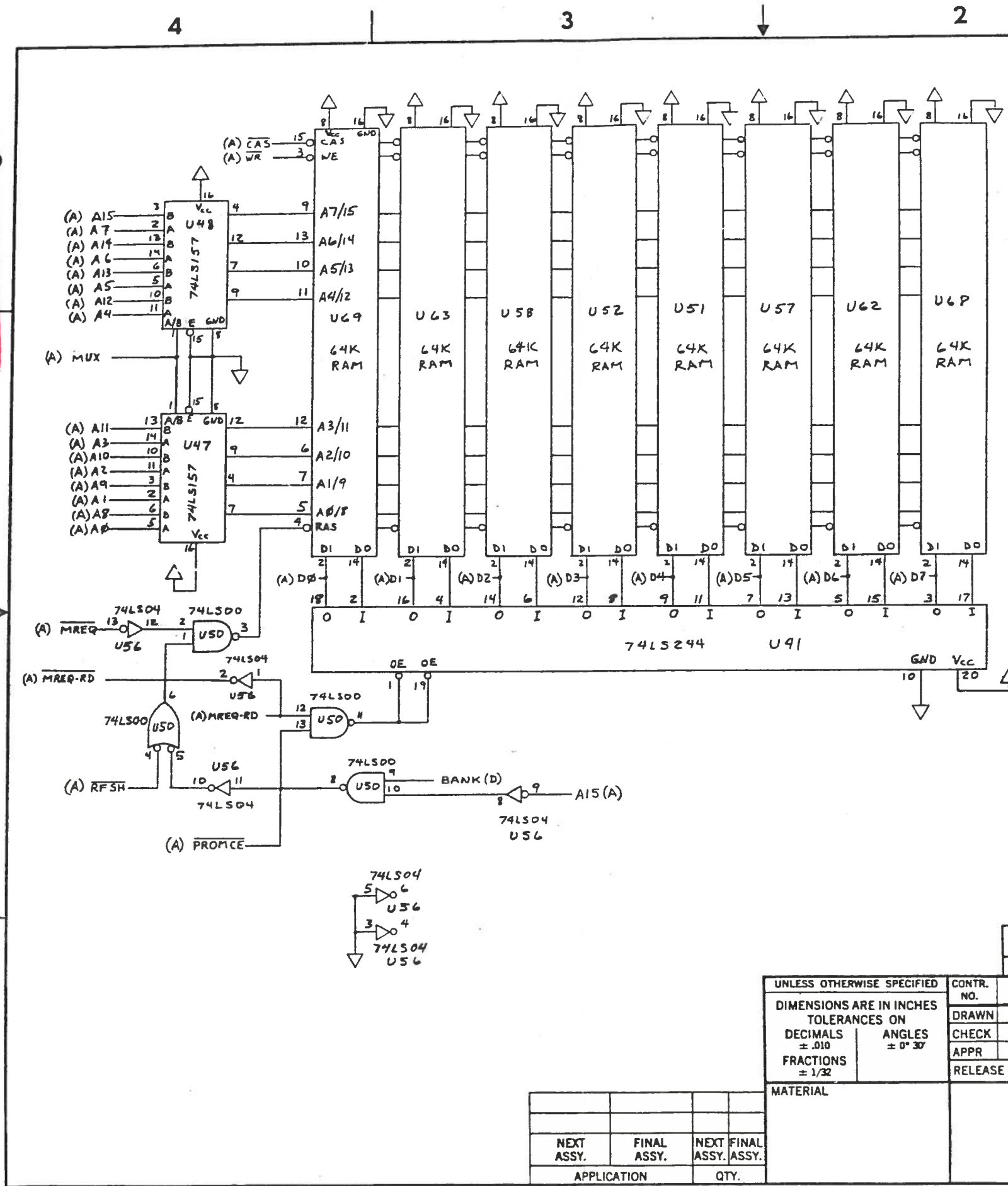
SIZE	CODE IDENT NO.	
C	03626	81-181
SCALE	WEIGHT	SHEET 2 D

NEXT ASSY.	FINAL ASSY.	NEXT FINAL ASSY.	FINAL ASSY.	QTY.
APPLICATION		QTY.		

PROPRIETARY INFORMATION

Not for distribution or transmission to any other person organization or company without the permission of Non-Linear Systems, Inc.

REVISIONS					
ZONE	LTR.	EFFECT.	DESCRIPTION	DATE	APPROVED.
A	ALL		ADD COMM. TO U47	12-7-82	RJ
B	1190N		REVISED SYMBOL NOS	2-24-83	RJ

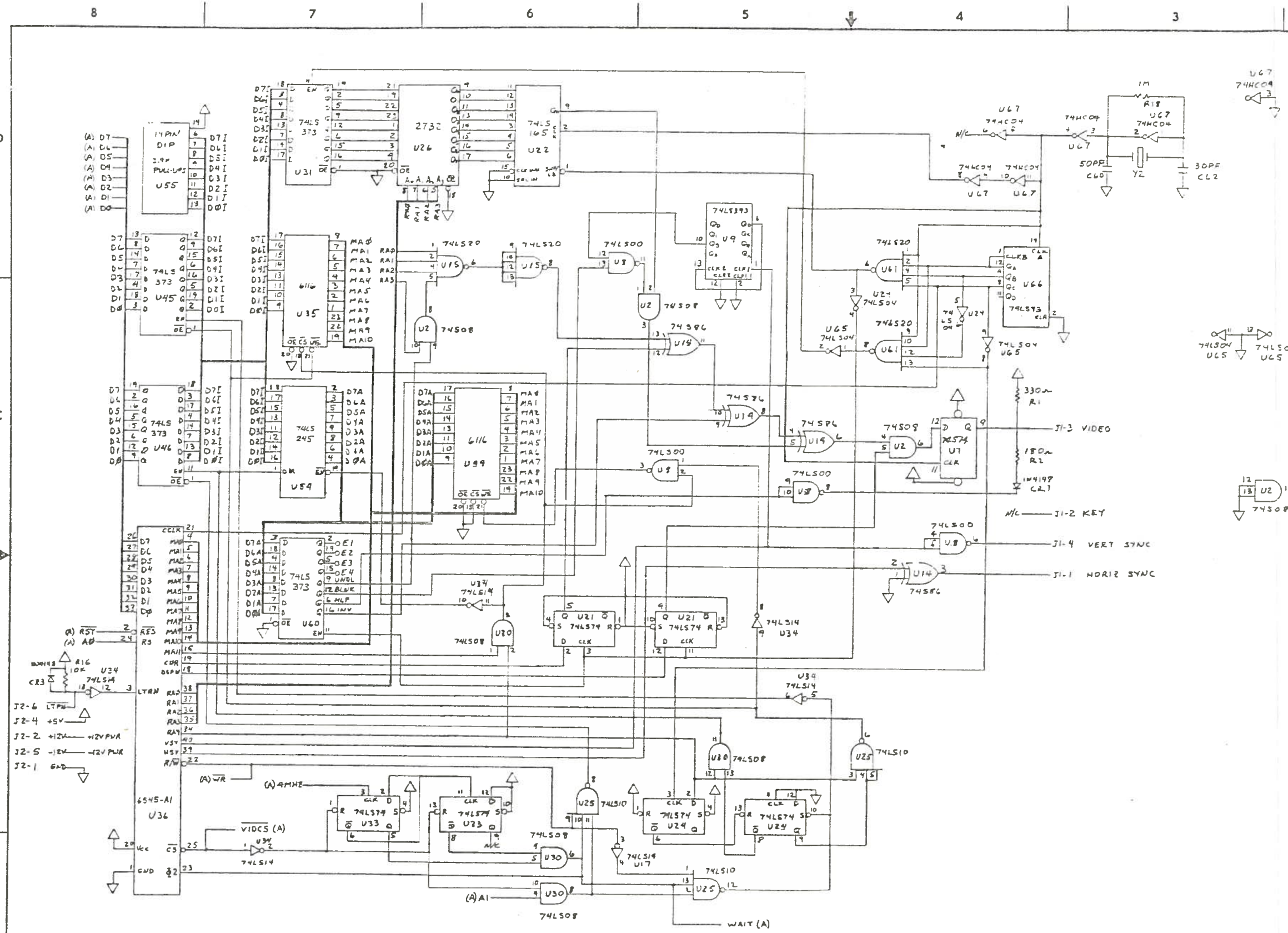


UNOS USED:

QTY REQD	PART OR IDENTIFYING NO.	NOMENCLATURE OR DESCRIPTION	MFR. CODE	CIRCUIT REF.	ITEM NO.
PARTS LIST					
NON-LINEAR SYSTEMS, INC. DEL MAR, CALIFORNIA					
SCHEMATIC, RAM					
KAYPRO 10					
SIZE	CODE IDENT NO.				
C	03626	81-181			
SCALE	WEIGHT	SHEET 2 C			

UNLESS OTHERWISE SPECIFIED	
DIMENSIONS ARE IN INCHES	
TOLERANCES ON	
DECIMALS ± .010	ANGLES ± 0° 30'
FRACTIONS ± 1/32	
MATERIAL	
NEXT ASSY.	FINAL ASSY.
NEXT ASSY.	FINAL ASSY.
APPLICATION	QTY.

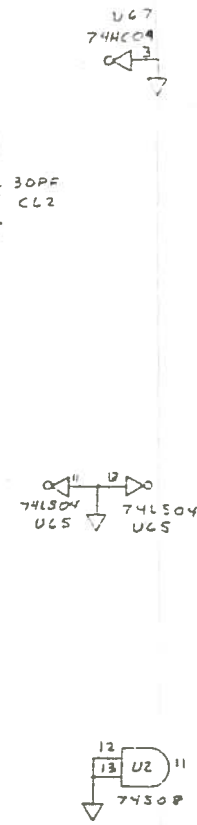
REVISIONS					
ZONE	LTR	EFFECT	DESCRIPTION	DATE	APPROVED
A	ALL		CUGB COMPLETION - J3P 22 22 83	12-83	A.
B	2-1-B3		ADDED U7	2-1-83	PJ
C	11-84		REVISED SYMBOL NO:	2-2-83	RT



U NOS. USED:

PROPRIETARY INFORMATION

Not for distribution or transmission to any other person organization or company without the permission of Non-Linear Systems, Inc.



P.C. BD: 81-180

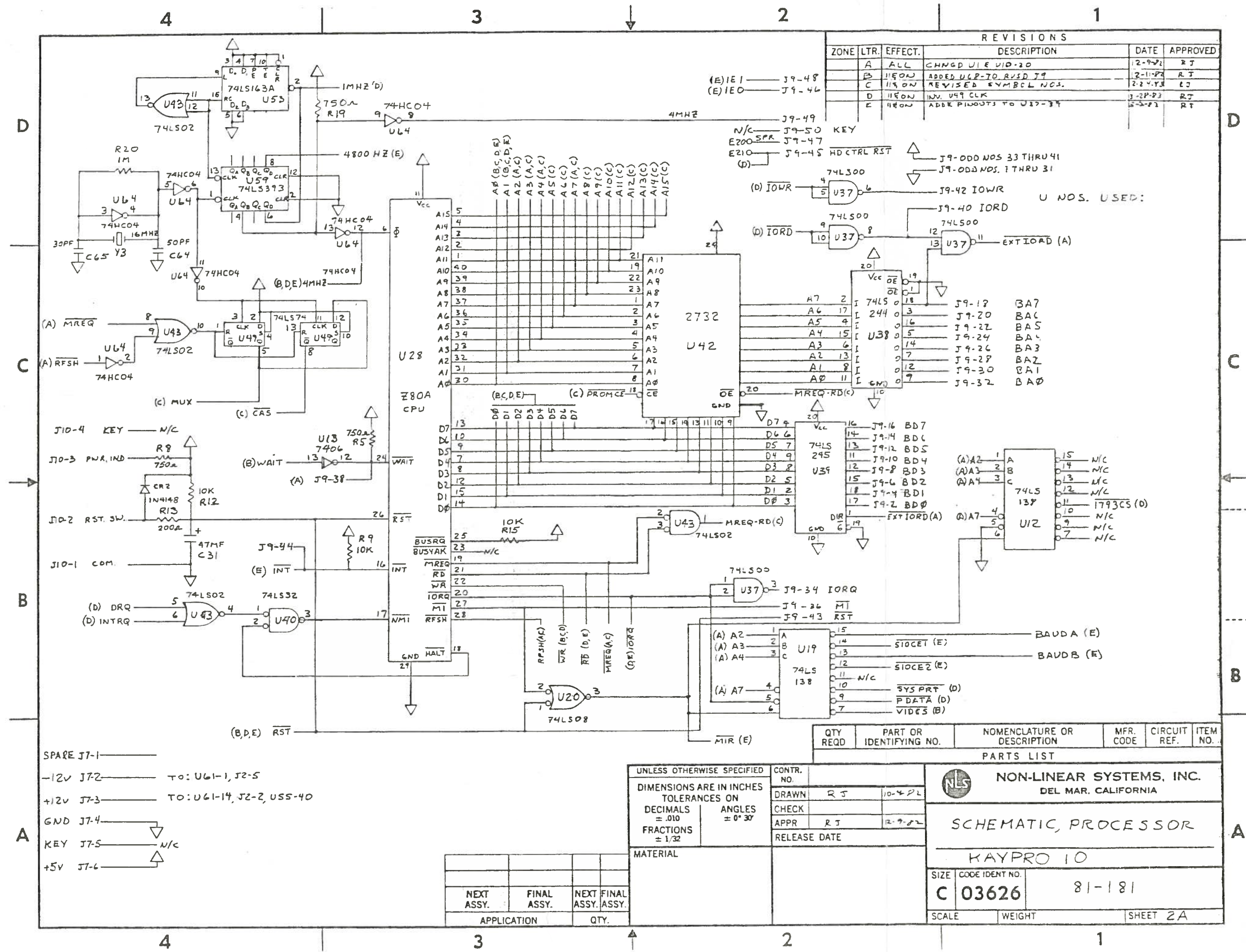
QTY REQD	PART OR IDENTIFYING NO.	NOMENCLATURE OR DESCRIPTION	MFR. CODE	CIRCUIT REF.	ITEM NO.
PARTS LIST					
NON-LINEAR SYSTEMS, INC. DEL MAR, CALIFORNIA					
SCHEMATIC, VIDEO					
KAYPRO 10					
SIZE	CODE IDENT NO.				
D	03626	81-181			
SCALE	WEIGHT	SHEET 2 B			

UNLESS OTHERWISE SPECIFIED
 DIMENSIONS ARE IN INCHES
 TOLERANCES ON
 DECIMALS = .010
 FRACTIONS = 1/32
 ANGLES = 0° 30'

CONTR. NO.	APPROVED	DATE
	RUT	10-15-82
DRAWN		
CHECK		
APPR	RT	12-83
RELEASE DATE		

APPLICATION	QTY.
NEXT ASSY.	
FINAL ASSY.	
NEXT FINAL ASSY.	

PROPRIETARY INFORMATION
 Not for distribution or transmission to any other person or organization or company without the permission of Non-Linear Systems, Inc.



REVISIONS					
ZONE	LTR.	EFFECT.	DESCRIPTION	DATE	APPROVED
A	ALL	CHNGD UIE UID-20		12-9-72	RJ
B	1150N	ADDED ULP-70, RUSD J9		12-11-72	RJ
C	1150N	REVISED SYMBOL NOS.		2-24-73	RJ
D	1150N	INV. U49 CLK		3-28-73	RJ
E	1150N	ADDE PINOUTS TO U37-34		5-5-73	RT

(E) IE1 — J9-48
 (E) IE0 — J9-46
 J9-49
 N/C — J9-50 KEY
 E200 SPR — J9-47
 E210 — J9-45 HD CTRL RST
 (D) IOWR — J9-42 IOWR
 (D) IORD — J9-40 IORD
 (D) IORD — J9-42 IORD

U NOS. USED:

J9-17	3A7
J9-20	BA6
J9-22	BAS
J9-24	BA4
J9-26	BA3
J9-28	BA2
J9-30	BA1
J9-32	BA0

SPARE J7-1 —
 -12V J7-2 — TO: U61-1, J2-5
 +12V J7-3 — TO: U61-14, J2-2, USS-40
 GND J7-4 —
 KEY J7-5 — N/C
 +5V J7-6 —

QTY REQD	PART OR IDENTIFYING NO.	NOMENCLATURE OR DESCRIPTION	MFR. CODE	CIRCUIT REF.	ITEM NO.
PARTS LIST					
UNLESS OTHERWISE SPECIFIED					
DIMENSIONS ARE IN INCHES		CONTR. NO.		DRAWN R J 10-4-72	
TOLERANCES ON DECIMALS = .010		CHECK		APPR R J 12-9-72	
ANGLES = 0° 30'		RELEASE DATE			
FRACTIONS = 1/32					
MATERIAL					
NEXT ASSY.	FINAL ASSY.	NEXT ASSY.	FINAL ASSY.		
APPLICATION		QTY.			

NLS NON-LINEAR SYSTEMS, INC.
 DEL MAR, CALIFORNIA

SCHEMATIC, PROCESSOR

KAYPRO 10

SIZE	CODE IDENT NO.	
C	03626	81-181
SCALE	WEIGHT	SHEET 2A