

REVISIONS					
ZONE	LTR.	EFFECT.	DESCRIPTION	DATE	APPROVED
A		11-8-83	REMOVED U73 (74508)	11-18-83	RWJ
B		ALL	ADDED U73 2764 PINS 1+27 TIED TO VCC	1-17-84	RWJ

PROPRIETARY INFORMATION

SPARE I.C.'S: U53, U70, U74, U75

Not for distribution or transmission to any other person, organization or company without the permission of Kaypro Corporation.

- U NOS. USED: 25, 26, 27, 28, 31, 34, 37, 40, 43, 45, 46, 52, 54, 56, 61, 59, 71, 72, 73
- SPR UNOS: 1, 5, 25, 45, 61

IC	Pin	Signal	IC	Pin	Signal
74LS02	11	A7	74LS02	9	J9-18
74LS02	13	A6	74LS02	7	J9-20
74LS02	15	A5	74LS02	5	J9-22
74LS02	17	A4	74LS02	3	J9-24
74LS02	9	A3	74LS02	12	J9-26
74LS02	6	A2	74LS02	14	J9-28
74LS02	4	A1	74LS02	16	J9-30
74LS02	2	A0	74LS02	18	J9-32

U NOS NOT USED: 30, 39, 50, 56, 57, 62, 63, 64, 68 & 69

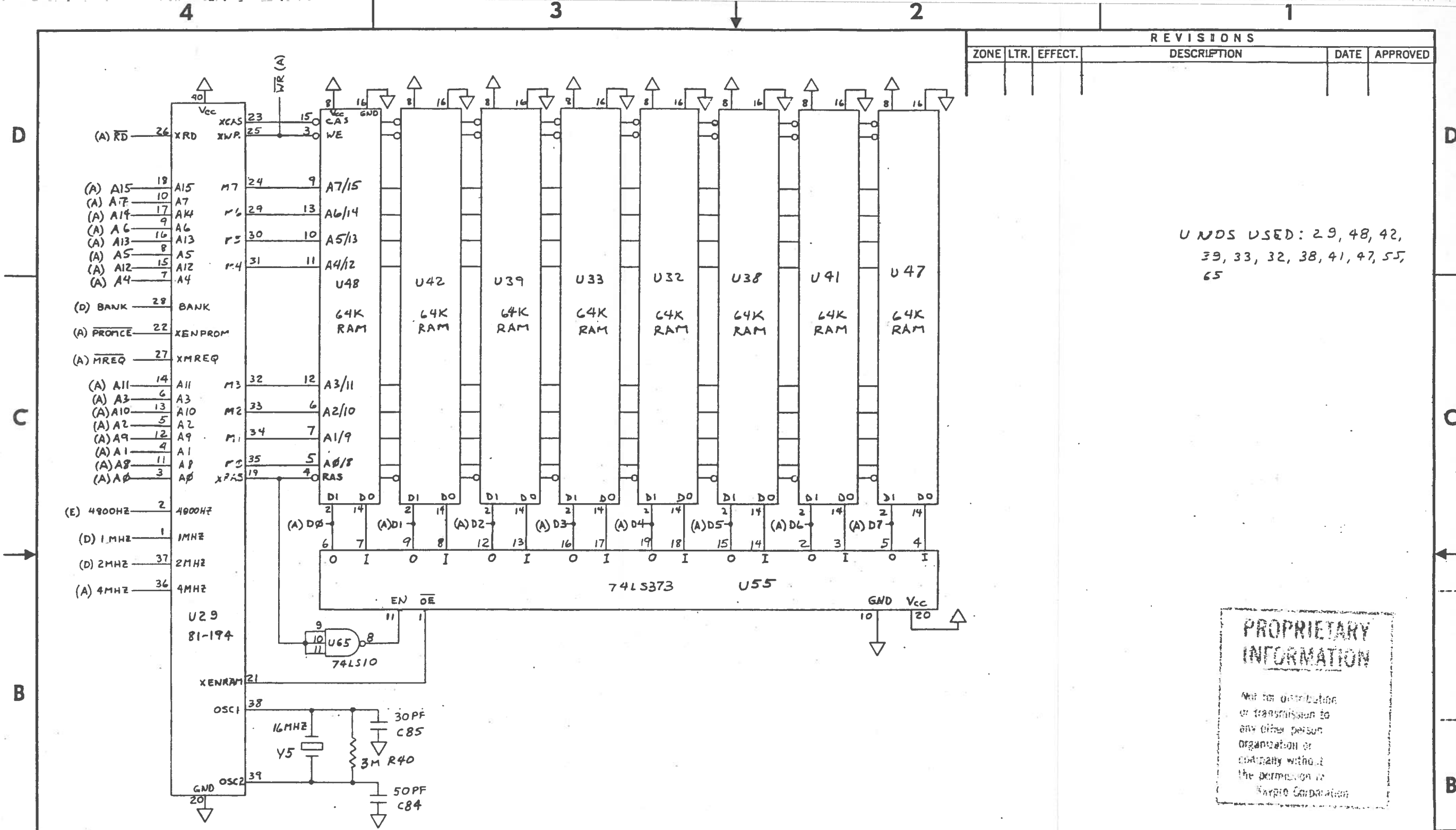
- SPARE J7-1 _____
- 12V J7-2 _____ TO: U4-1
- +12V J7-3 _____ TO: U4-14, U44-40
- GND J7-4 _____
- KEY J7-5 _____ N/C
- +5V J7-6 _____

IC	Pin	Signal	IC	Pin	Signal
74LS138	1	A2	74LS138	15	PIOCS (F)
74LS138	2	A3	74LS138	14	RTCS (F)
74LS138	3	A4	74LS138	13	N/C
74LS138	4	A7	74LS138	12	N/C
74LS138	5	A5	74LS138	11	N/C
74LS138	6	A5	74LS138	10	N/C
74LS138	7	N/C	74LS138	9	N/C
74LS138	N/C	N/C	74LS138	8	N/C
74LS138	N/C	N/C	74LS138	7	N/C

UNLESS OTHERWISE SPECIFIED		CONTR. NO.	
DIMENSIONS ARE IN INCHES		DRAWN	R J
TOLERANCES ON		CHECK	
DECIMALS ±.010	ANGLES ±0° 30'	APPR	R J
FRACTIONS ±1/32		RELEASE DATE	9-15-83
MATERIAL		Rev A (81-184)	

QTY REQD	PART OR IDENTIFYING NO.	NOMENCLATURE OR DESCRIPTION	MFR. CODE	CIRCUIT REF.	ITEM NO.
PARTS LIST					
NON-LINEAR SYSTEMS, INC. DEL MAR, CALIFORNIA					
SCHEMATIC, PROCESSOR					
KAYPRO 4/84					
SIZE	CODE IDENT NO.				
C	03626	81-185			
SCALE	WEIGHT	SHEET 2A			

APPLICATION	QTY.
NEXT ASSY.	
FINAL ASSY.	
NEXT ASSY.	
FINAL ASSY.	



REVISIONS					
ZONE	LTR.	EFFECT.	DESCRIPTION	DATE	APPROVED

UNDS USED: 29, 48, 42,
39, 33, 32, 38, 41, 47, 55,
65

PROPRIETARY INFORMATION

Not for distribution or transmission to any other person, organization or company without the permission of Karypro Corporation.

QTY REQD	PART OR IDENTIFYING NO.	NOMENCLATURE OR DESCRIPTION	MFR. CODE	CIRCUIT REF.	ITEM NO.
PARTS LIST					
NON-LINEAR SYSTEMS, INC. DEL MAR, CALIFORNIA					
SCHEMATIC, RAM					
KAYPRO 4/84					
SIZE	CODE IDENT NO.				
C	03626	81-185			
SCALE	WEIGHT	SHEET 2 C			

UNLESS OTHERWISE SPECIFIED
DIMENSIONS ARE IN INCHES
TOLERANCES ON
DECIMALS ± .010
FRACTIONS ± 1/32

CONTR. NO.

DRAWN RJ 7-1-83

CHECK

APPR RJ 9-16-83

RELEASE DATE

MATERIAL

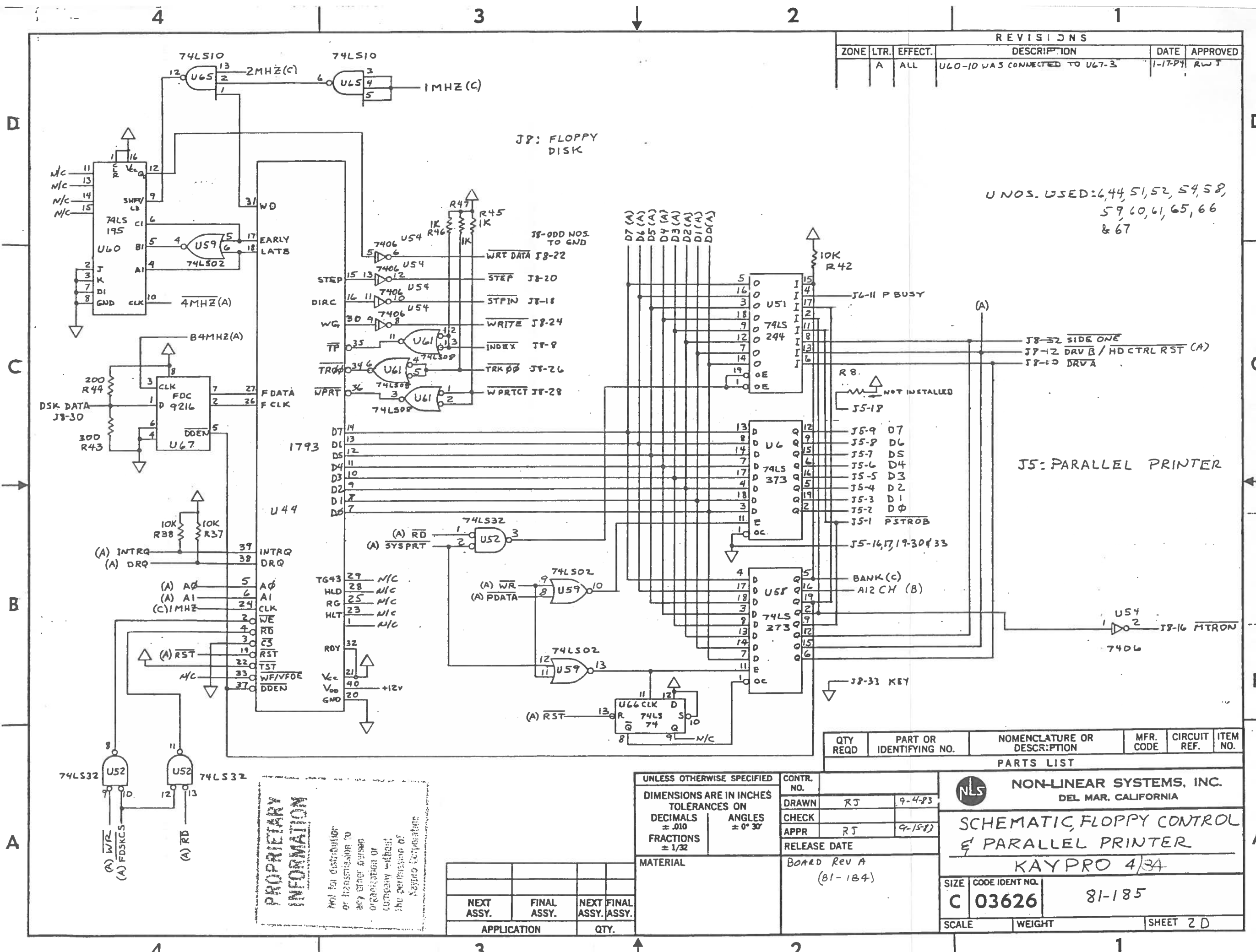
BOARD REV A
(81-184)

NEXT ASSY.	FINAL ASSY.	NEXT ASSY.	FINAL ASSY.
APPLICATION		QTY.	

D
C
B
A

4 3 2 1

A



REVISIONS					
ZONE	LTR.	EFFECT.	DESCRIPTION	DATE	APPROVED
	A	ALL	U60-10 WAS CONNECTED TO U67-3	1-17-84	RWJ

U NOS. USED: 64, 51, 52, 54, 58, 59, 60, 61, 65, 66 & 67

J5: PARALLEL PRINTER

J8: FLOPPY DISK

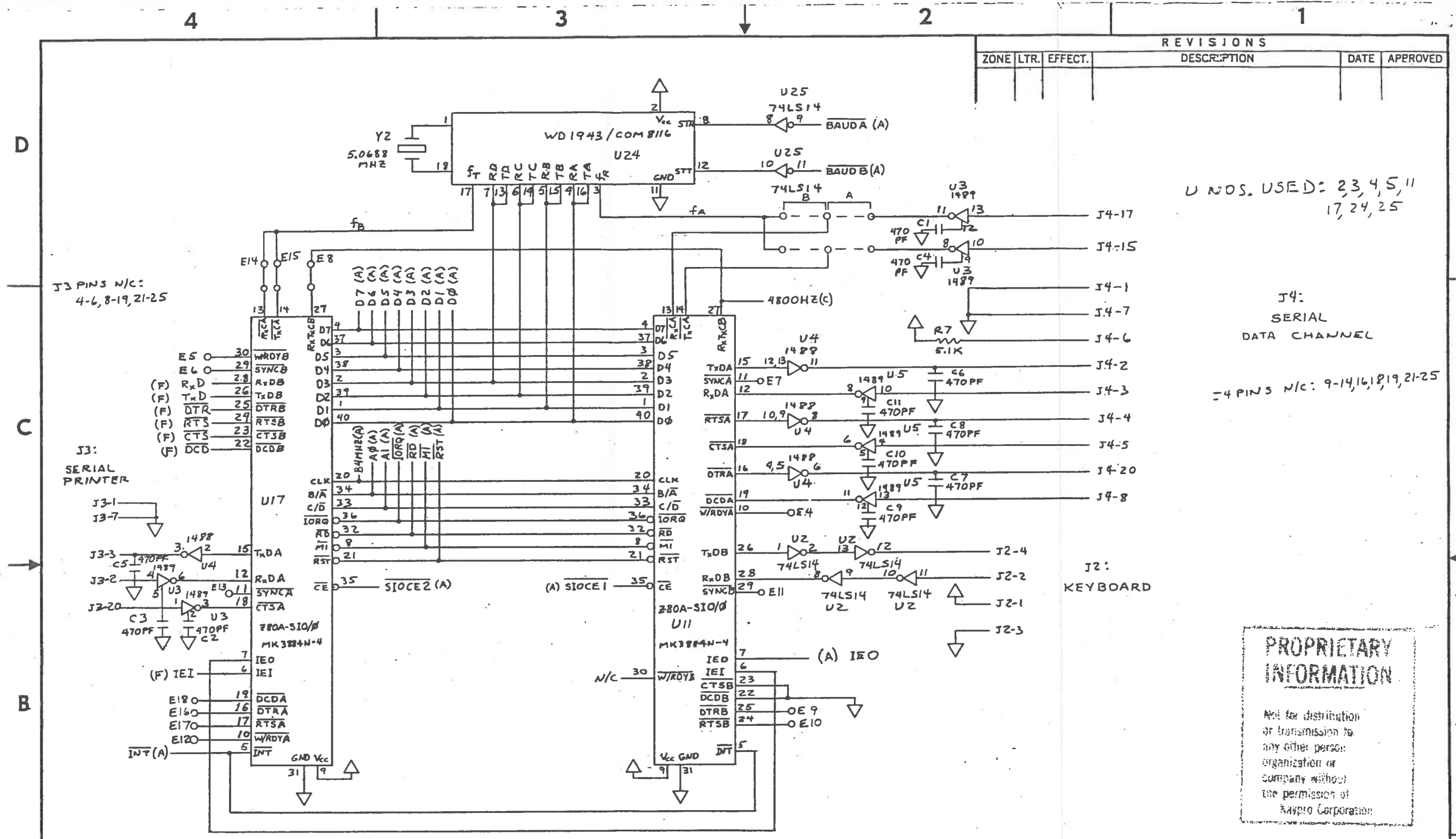
QTY REQD	PART OR IDENTIFYING NO.	NOMENCLATURE OR DESCRIPTION	MFR. CODE	CIRCUIT REF.	ITEM NO.
PARTS LIST					

UNLESS OTHERWISE SPECIFIED		CONTR. NO.	
DIMENSIONS ARE IN INCHES		DRAWN	RJ 9-4-83
TOLERANCES ON		CHECK	
DECIMALS ±.010	ANGLES ±0°30'	APPR	RJ 9-15-83
FRACTIONS ±1/32		RELEASE DATE	
MATERIAL		BOARD REV A	
		(81-184)	

 NON-LINEAR SYSTEMS, INC. DEL MAR, CALIFORNIA	
SCHEMATIC, FLOPPY CONTROL & PARALLEL PRINTER KAYPRO 4/34	
SIZE	CODE IDENT NO.
C	03626
SCALE	WEIGHT
	SHEET 2 D

PROPRIETARY INFORMATION
 Not for distribution or transmission to any other person or organization or company without the permission of Kaypro Corporation.

NEXT ASSY.	FINAL ASSY.	NEXT ASSY.	FINAL ASSY.
APPLICATION		QTY.	



REVISIONS					
ZONE	LTR.	EFFECT.	DESCRIPTION	DATE	APPROVED

U NOS. USED: 23, 45, 11
17, 24, 25

J4:
SERIAL
DATA CHANNEL

= 4 PINS N/C: 9-14, 16, 18, 19, 21-25

J3 PINS N/C:
4-6, 8-19, 21-25

J3:
SERIAL
PRINTER

J2:
KEYBOARD

**PROPRIETARY
INFORMATION**

Not for distribution
or transmission to
any other person,
organization or
company without
the permission of
Kaypro Corporation.

PWR TO U4: +12V TO PIN 14
GND TO PIN 7
-12V TO PIN 1

QTY REQD	PART OR IDENTIFYING NO.	NOMENCLATURE OR DESCRIPTION	MFR. CODE	CIRCUIT REF.	ITEM NO.
PARTS LIST					

UNLESS OTHERWISE SPECIFIED		
DIMENSIONS ARE IN INCHES		
TOLERANCES ON		
DECIMALS ± .010	ANGLES ± 0° 30'	
FRACTIONS ± 1/32		
CONTR. NO.		
DRAWN	R J	9-3-83
CHECK		
APPR	Z J	9-11-83
RELEASE DATE		

NLS NON-LINEAR SYSTEMS, INC.
DEL MAR, CALIFORNIA

SCHMATIC, SERIAL PORTS

KAYPRO 4/34

SIZE	CODE IDENT NO.	
C	03626	81-185

SCALE	WEIGHT	SHEET 2E
-------	--------	-----------------

NEXT ASSY.	FINAL ASSY.	NEXT FINAL ASSY.	FINAL ASSY.
APPLICATION		QTY.	

A

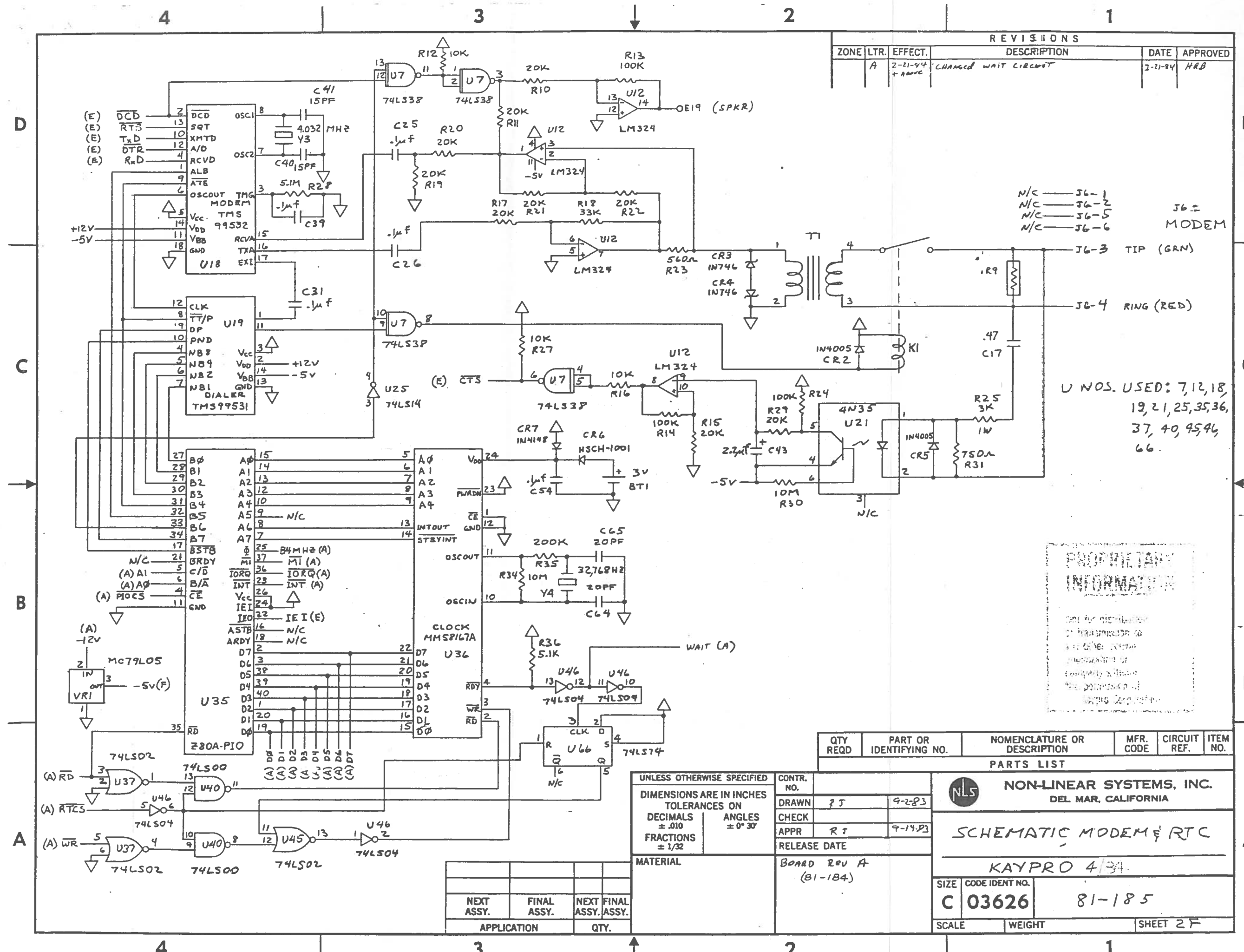
A

4

3

2

1



REVISIONS					
ZONE	LTR.	EFFECT.	DESCRIPTION	DATE	APPROVED
	A	2-21-84 + ABOVE	CHANGED WAIT CIRCUIT	2-21-84	HAB

N/C — J6-1
 N/C — J6-2
 N/C — J6-5
 N/C — J6-6

J6-2 MODEM

U NOS. USED: 7, 12, 18,
 19, 21, 25, 35, 36,
 37, 40, 45, 46,
 66.

PROPRIETARY
 INFORMATION
 NOT TO BE
 DISCLOSED
 OR REPRODUCED
 IN ANY MANNER
 WITHOUT THE
 WRITTEN
 PERMISSION OF
 NON-LINEAR SYSTEMS, INC.

QTY REQD	PART OR IDENTIFYING NO.	NOMENCLATURE OR DESCRIPTION	MFR. CODE	CIRCUIT REF.	ITEM NO.
PARTS LIST					

UNLESS OTHERWISE SPECIFIED		CONTR. NO.	
DIMENSIONS ARE IN INCHES		DRAWN	J T 9-2-83
TOLERANCES ON		CHECK	
DECIMALS ± .010	ANGLES ± 0° 30'	APPR	R S 9-14-83
FRACTIONS ± 1/32		RELEASE DATE	
MATERIAL		BOARD REV A (81-184)	

NLS NON-LINEAR SYSTEMS, INC. DEL MAR, CALIFORNIA		
SCHEMATIC MODEM & RTC		
KAYPRO 4/34		
SIZE	CODE IDENT NO.	
C	03626	81-185
SCALE	WEIGHT	SHEET 2 F

NEXT ASSY.	FINAL ASSY.	NEXT FINAL ASSY.	FINAL ASSY.
APPLICATION		QTY.	