

REVISIONS					
ZONE	LTR.	EFFECT.	DESCRIPTION	DATE	APPROVED
A	11-8-83		REMOVED U73 (74508)	11-18-83	RWJ
B	ALL		ADDED U73 2764 PINS 1+27 TIED TO +5	1-17-84	RWJ

**PROPRIETARY INFORMATION**

Not for distribution or transmission to any other person or organization or company without the permission of Kaypro Corporation.

SPARE I.C.'S:  
U53, U70,  
U74, U75

U NOS. USED: 25, 26, 27,  
28, 31, 34, 37,  
40, 43, 45, 46,  
52, 54, 56, 61,  
59, 71, 72, 73

SPR UNOS:  
1, 5, 25, 45,  
61

J10-4 KEY N/C  
J10-3 PWR. IND  
J10-2 RST. SW.  
J10-1 COM

(D) DRQ  
(D) INTRQ

SPARE J7-1  
-12V J7-2  
+12V J7-3  
GND J7-4  
KEY J7-5  
+5V J7-6

TO: U4-1  
TO: U4-14, U44-40

(A) A2  
(A) A3  
(A) A4  
(A) A7  
(A) A5

15 PIOCS (F)  
14 RTC30F  
13 N/C  
12 N/C  
11 N/C  
10 N/C  
9 N/C  
8 N/C

QTY REQD	PART OR IDENTIFYING NO.	NOMENCLATURE OR DESCRIPTION	MFR. CODE	CIRCUIT REF.	ITEM NO.

UNLESS OTHERWISE SPECIFIED		CONTR. NO.	
DIMENSIONS ARE IN INCHES		DRAWN	RJ
TOLERANCES ON		CHECK	
DECIMALS ±.010	ANGLES ±0°30'	APPR	RJ
FRACTIONS ±1/32		RELEASE DATE	9-15-83

MATERIAL BOARD REV A (81-184)

**NLS** NON-LINEAR SYSTEMS, INC.  
DEL MAR, CALIFORNIA

**SCHEMATIC, PROCESSOR**

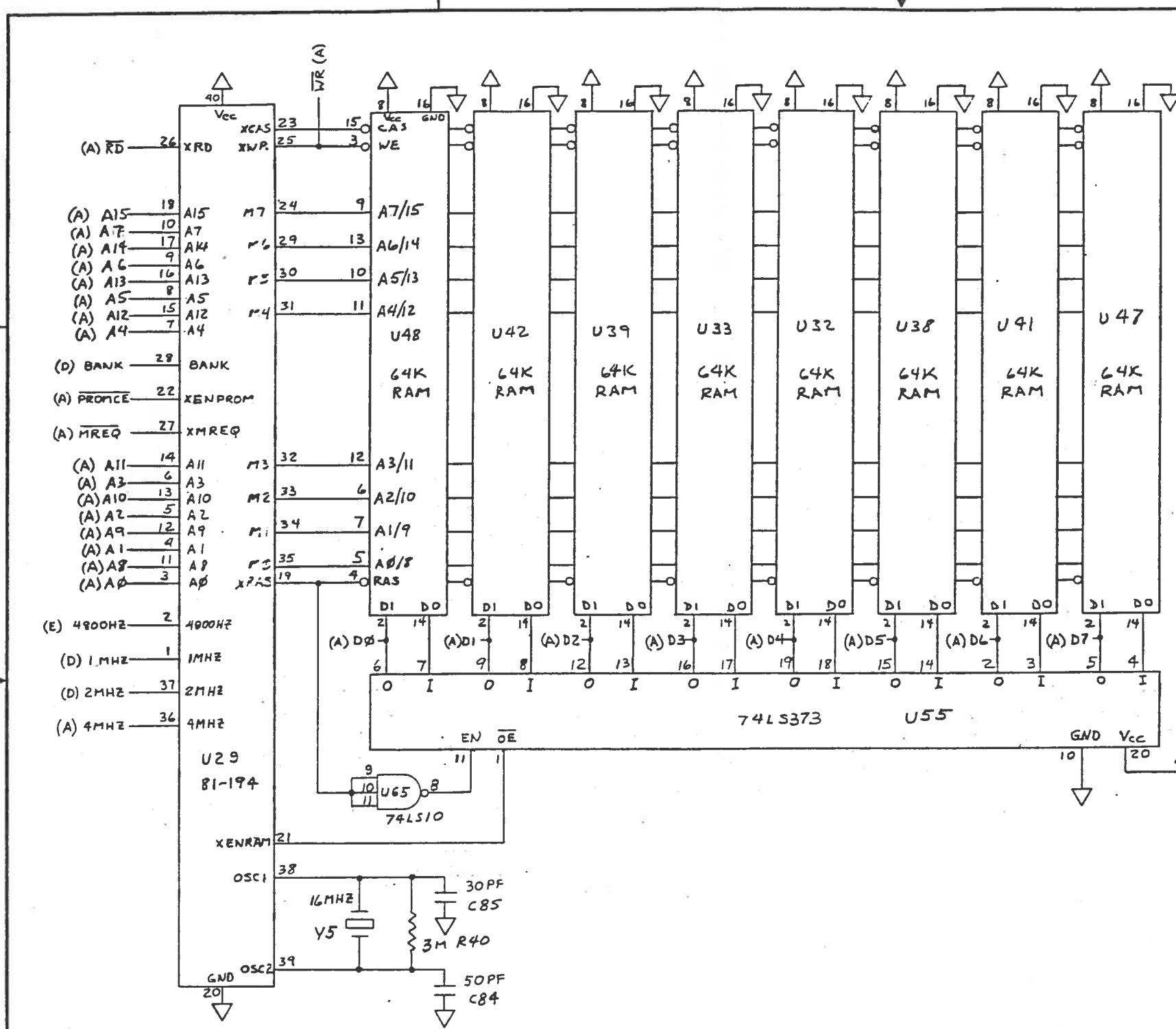
KAYPRO 4/84

SIZE CODE IDENT NO. 81-185

SCALE WEIGHT SHEET 2A

APPLICATION	QTY.
NEXT ASSY.	
FINAL ASSY.	
NEXT FINAL ASSY.	
FINAL ASSY.	





REVISIONS					
ZONE	LTR.	EFFECT.	DESCRIPTION	DATE	APPROVED

UNDS USED: 29, 48, 42,  
39, 33, 32, 38, 41, 47, 55,  
65

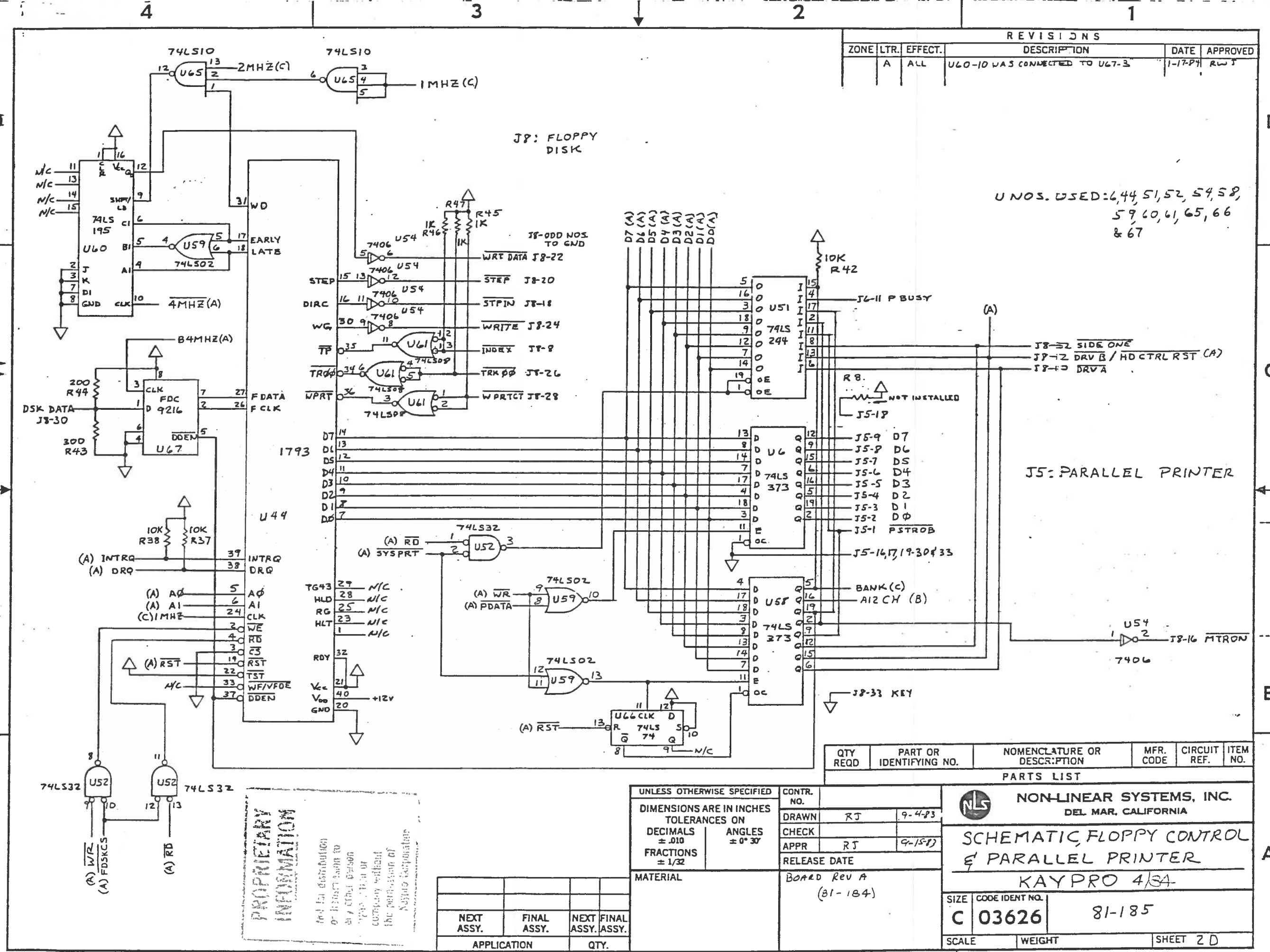
**PROPRIETARY INFORMATION**

NO USE, REPRODUCTION, OR TRANSMISSION TO ANY OTHER PERSON OR ORGANIZATION OR COMPANY WITHOUT THE PERMISSION OF NLS CORPORATION

QTY REQD	PART OR IDENTIFYING NO.	NOMENCLATURE OR DESCRIPTION	MFR. CODE	CIRCUIT REF.	ITEM NO.
PARTS LIST					

UNLESS OTHERWISE SPECIFIED DIMENSIONS ARE IN INCHES TOLERANCES ON DECIMALS ± .010 FRACTIONS ± 1/32 ANGLES ± 0° 30'	CONTR. NO.	NON-LINEAR SYSTEMS, INC. DEL MAR, CALIFORNIA			
	DRAWN R J 7-83	SCHEMATIC, RAM			
	CHECK	KAYPRO 4/84			
	APPR R J 7-16-83	RELEASE DATE	BOARD REV A (81-184)		
MATERIAL	SIZE C		CODE IDENT NO. 03626	81-185	
NEXT ASSY.		SCALE		WEIGHT	
FINAL ASSY.		SHEET		2 C	
NEXT ASSY.		APPLICATION		QTY.	

APPLICATION	QTY.



REVISIONS					
ZONE	LTR.	EFFECT.	DESCRIPTION	DATE	APPROVED
	A	ALL	U60-10 WAS CONNECTED TO U67-3	1-17-84	RWJ

UNOS. USED: 6, 44, 51, 52, 54, 58, 59, 60, 61, 65, 66 & 67

QTY REQD	PART OR IDENTIFYING NO.	NOMENCLATURE OR DESCRIPTION	MFR. CODE	CIRCUIT REF.	ITEM NO.
----------	-------------------------	-----------------------------	-----------	--------------	----------

UNLESS OTHERWISE SPECIFIED  
 DIMENSIONS ARE IN INCHES  
 TOLERANCES ON  
 DECIMALS ± .010  
 FRACTIONS ± 1/32  
 ANGLES ± 0° 30'

CONTR. NO.  
 DRAWN RJ 9-4-83  
 CHECK  
 APPR RJ 9-15-83  
 RELEASE DATE

MATERIAL  
 BOARD Rev A  
 (81-184)

**NLS** NON-LINEAR SYSTEMS, INC.  
 DEL MAR, CALIFORNIA

**SCHEMATIC FLOPPY CONTROL & PARALLEL PRINTER**

**KAYPRO 4/34**

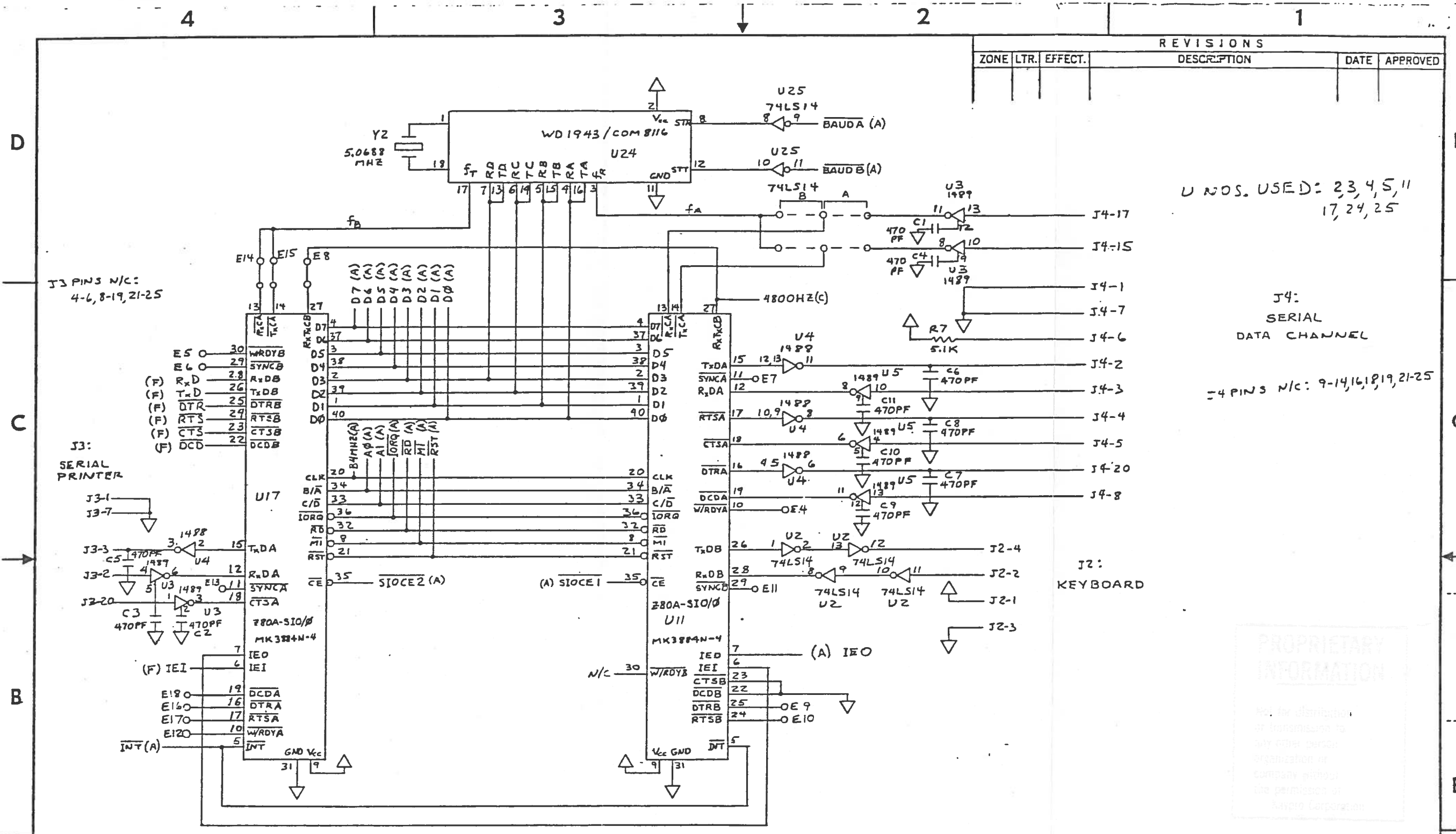
SIZE CODE IDENT NO.  
**C 03626** 81-185

SCALE WEIGHT SHEET 2 D

**PROPRIETARY INFORMATION**

Not for distribution or reproduction by any other person or company without the permission of Non-Linear Systems, Inc.

NEXT ASSY.	FINAL ASSY.	NEXT FINAL ASSY.	FINAL ASSY.
APPLICATION		QTY.	



REVISIONS					
ZONE	LTR.	EFFECT.	DESCRIPTION	DATE	APPROVED

PWR TO U4: +12V TO PIN 14  
GND TO PIN 7  
-12V TO PIN 1

PROPRIETARY INFORMATION

Not for distribution  
or transmission to  
any other person,  
organization or  
company without  
the permission of  
Analog Corporation

QTY REQD	PART OR IDENTIFYING NO.	NOMENCLATURE OR DESCRIPTION	MFR. CODE	CIRCUIT REF.	ITEM NO.
PARTS LIST					

UNLESS OTHERWISE SPECIFIED		CONTR. NO.	
DIMENSIONS ARE IN INCHES TOLERANCES ON		DRAWN	R J 9-3-83
DECIMALS ±.010	ANGLES ±0° 30'	CHECK	
FRACTIONS ±1/32		APPR	2 J 9-11-83
MATERIAL		RELEASE DATE	

**NLS** NON-LINEAR SYSTEMS, INC.  
DEL MAR, CALIFORNIA

**SCHEMATIC, SERIAL PORTS**

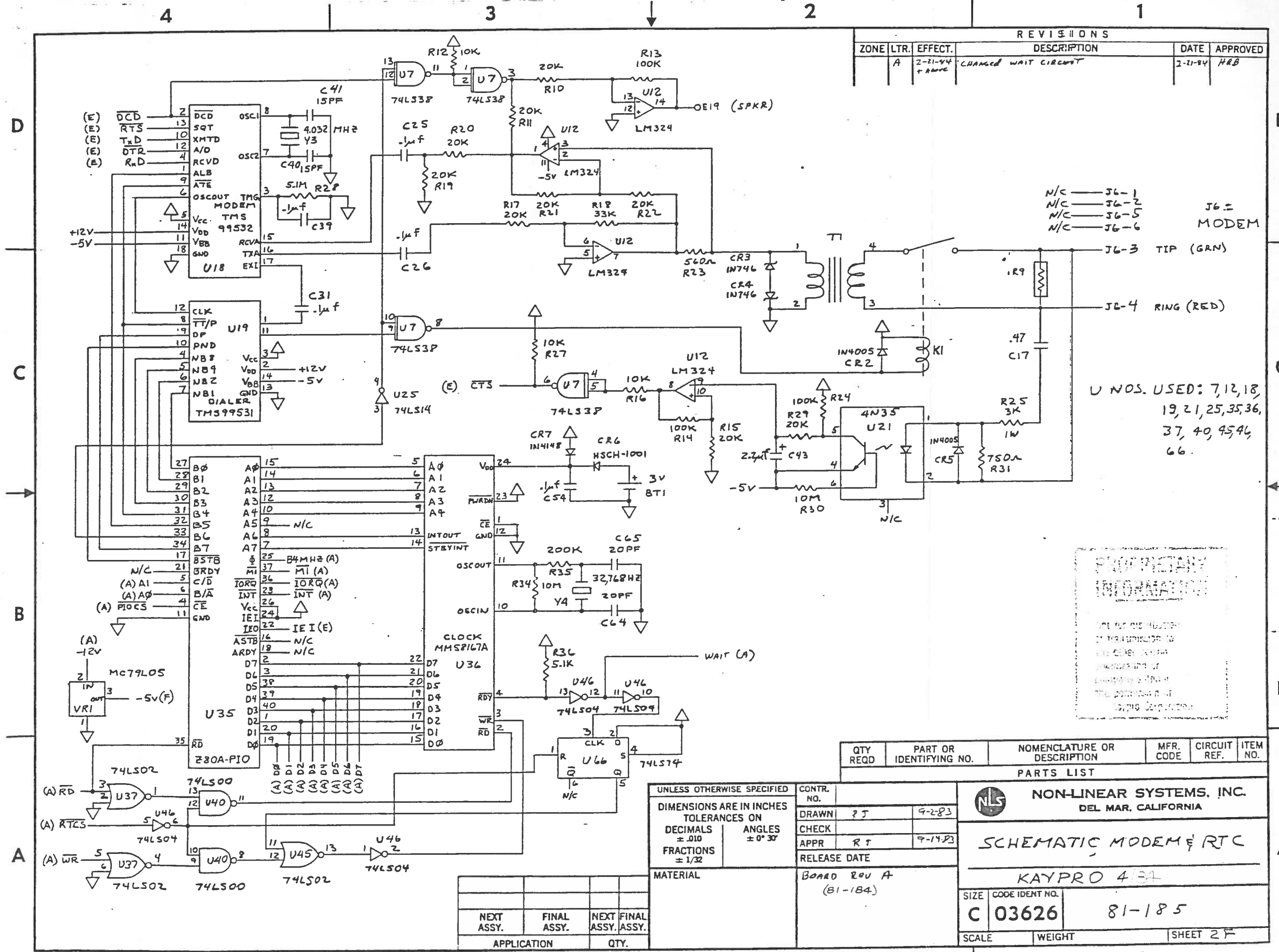
KAYPRO 413A

SIZE CODE IDENT NO. 81-185

SCALE WEIGHT SHEET 2 E

NEXT ASSY.	FINAL ASSY.	NEXT ASSY.	FINAL ASSY.
APPLICATION	QTY.		

BOARD REV A  
(81-184)



REVISIONS					
ZONE	LTR.	EFFECT.	DESCRIPTION	DATE	APPROVED
	A	2-21-84 + RAMP	CHANGED WAIT CIRCUIT	2-21-84	HAB

N/C — J6-1  
 N/C — J6-2  
 N/C — J6-5  
 N/C — J6-6

J6-2  
 MODEM

U.NOS. USED: 7, 12, 18,  
 19, 21, 25, 35, 36,  
 37, 40, 45, 46,  
 66.

PROPERTY OF  
 INFORMATION

NOT FOR DISTRIBUTION  
 OR REPRODUCTION  
 WITHOUT THE WRITTEN  
 PERMISSION OF  
 THE DESIGNER OR  
 HIS COMPANY

QTY REQD	PART OR IDENTIFYING NO.	NOMENCLATURE OR DESCRIPTION	MFR. CODE	CIRCUIT REF.	ITEM NO.
----------	-------------------------	-----------------------------	-----------	--------------	----------

UNLESS OTHERWISE SPECIFIED	
DIMENSIONS ARE IN INCHES	CONTR. NO.
TOLERANCES ON	DRAWN 25 9-2-83
DECIMALS ± .010	CHECK
ANGLES ± 0° 30'	APPR RT 9-14-83
FRACTIONS ± 1/32	RELEASE DATE
MATERIAL	BOARD REV A (81-184)

NON-LINEAR SYSTEMS, INC. DEL MAR, CALIFORNIA	
SCHEMATIC MODEM & RTC	
KAYPRO 4/3A	
SIZE C	CODE IDENT NO. 03626
SCALE	WEIGHT
SHEET 2 F	

NEXT ASSY.	FINAL ASSY.	NEXT FINAL ASSY.	QTY.
APPLICATION		QTY.	