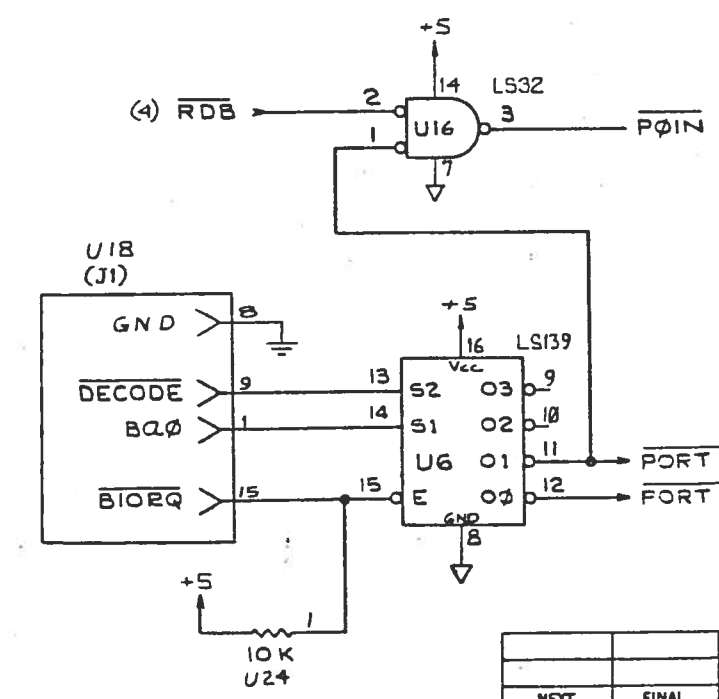
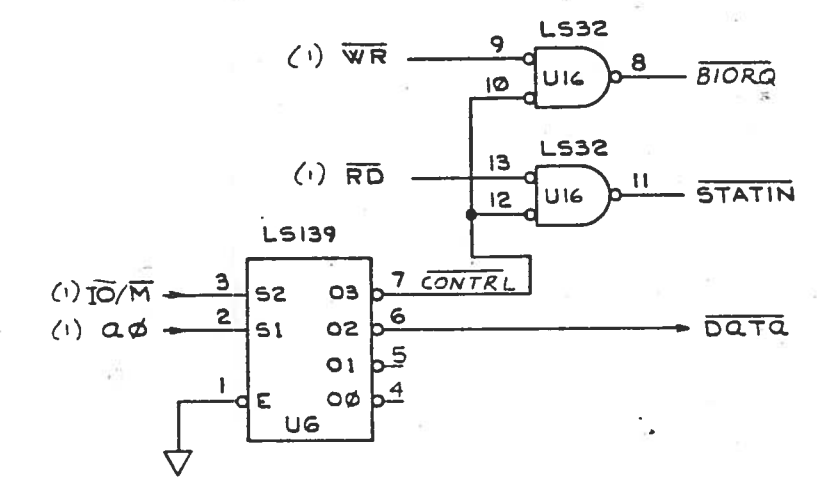
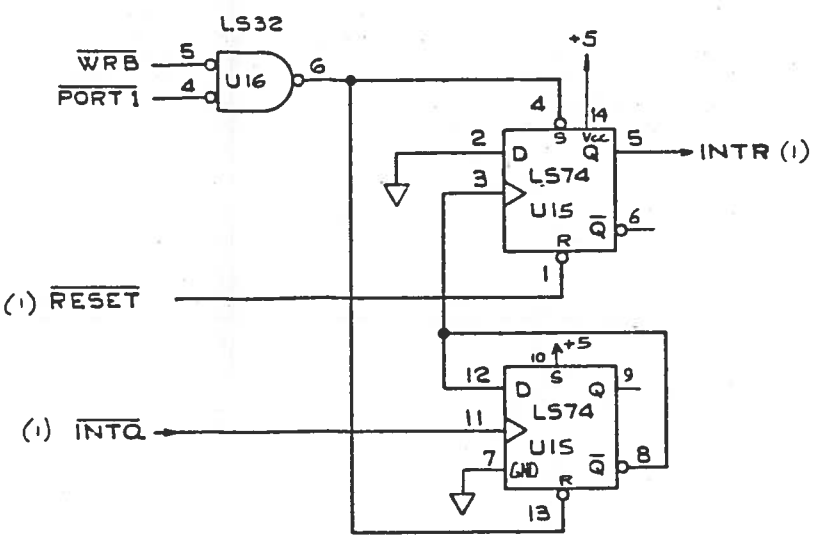
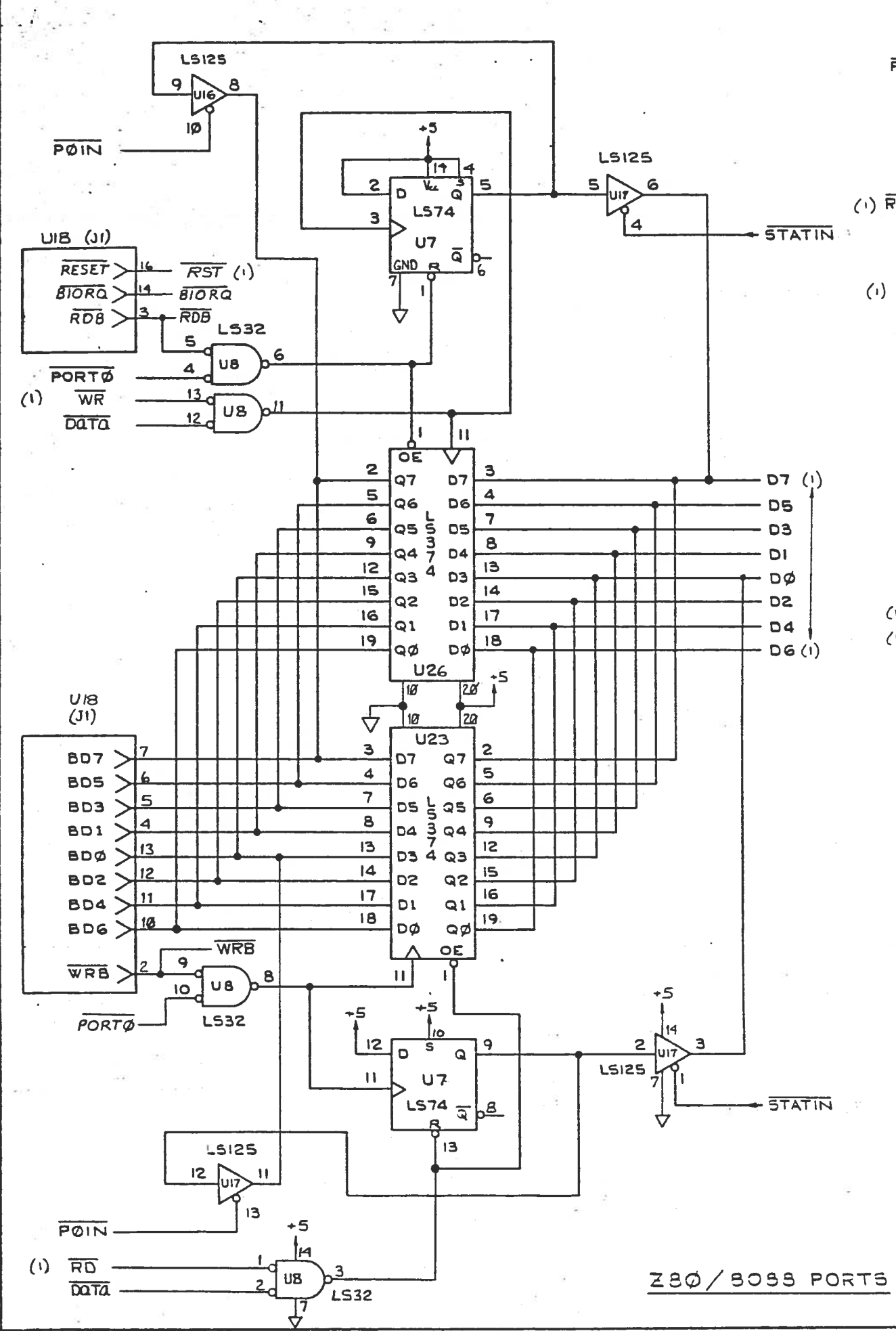


REVISIONS					
ZONE	LTR.	EFFECT.	DESCRIPTION	DATE	APPROVED



PROPRIETARY INFORMATION

Not for distribution or transmission to any other person, organization or company without the permission of Kaypro Corporation.

Z80/8088 PORTS

APPLICATION	QTY.

QTY REQD	PART OR IDENTIFYING NO.	NOMENCLATURE OR DESCRIPTION	MFR. CODE	CIRCUIT REF.	ITEM NO.
PARTS LIST					
CONTR. NO.	NON-LINEAR SYSTEMS, INC. DEL MAR, CALIFORNIA				
DRAWN	K. BILINSKI	1-31-84	SCHEMATIC - MS-DOS MODIFIED		
CHECK	HRB	2-14-84	UNIVERSAL BOARD		
APPR	RWT	2-20-84			
RELEASE DATE	2-20-84				
USES 81-430 P.C.					
SIZE	CODE IDENT NO.				
D	03626	81-352			
SCALE	WEIGHT	SHEET 4 OF 4			