

Rosewill[®]



BLACKHAWK

User's Manual

Contents

■ Product Overview

Disassemble Chart	P.2
Accessory Box	P.3

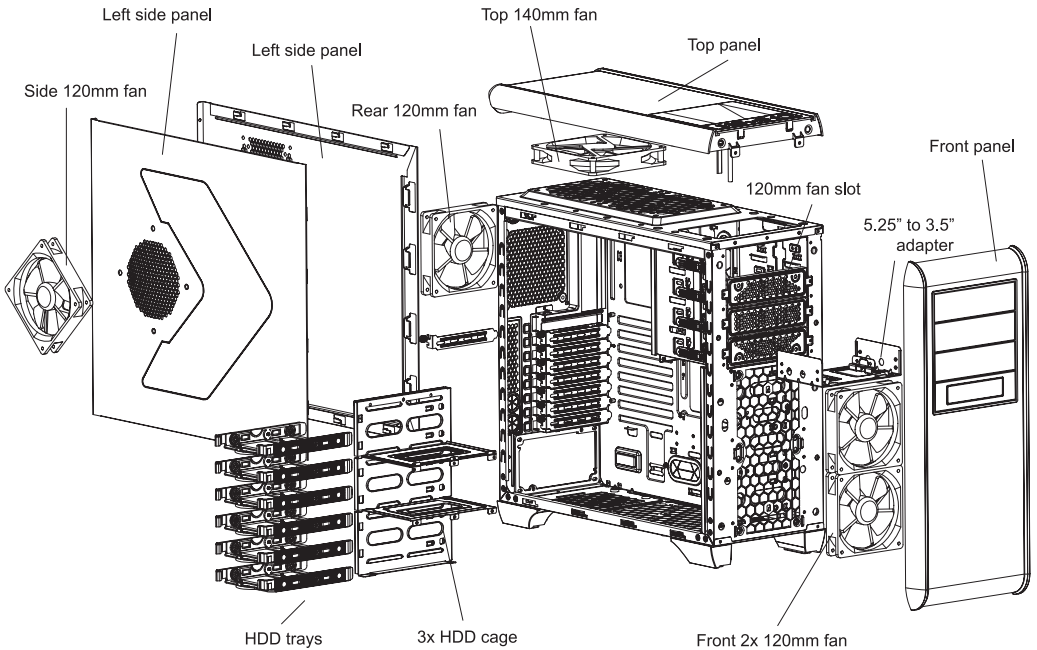
■ Installation Guide

Opening Chassis	P.4
Installing Power Supply	P.4
Installing Motherboard	P.5
Installing Add On Card	P.6
Change HDD cage placement	P.7
Installing External 5.25" Device	P.9
Installing External 3.5" Device	P.9
Installing 3.5"/2.5" HDD/SSD	P.11

■ Information

P.12


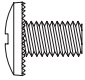
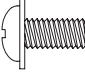
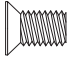
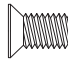

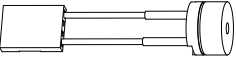


Disassemble Chart (For reference only. Models' option may be varied by countries.)



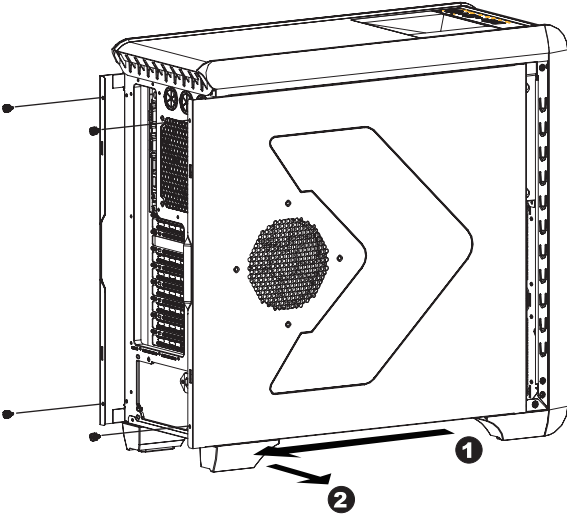
Front I/O Pin Define (Please refer to your motherboard's user's manual to connect.)

<p>USB3.0 CONNECTOR</p>	<p>AC97 CONNECTOR</p>
<p>USB2.0 CONNECTOR</p>	<p>HD CONNECTOR</p>

Accessory Box

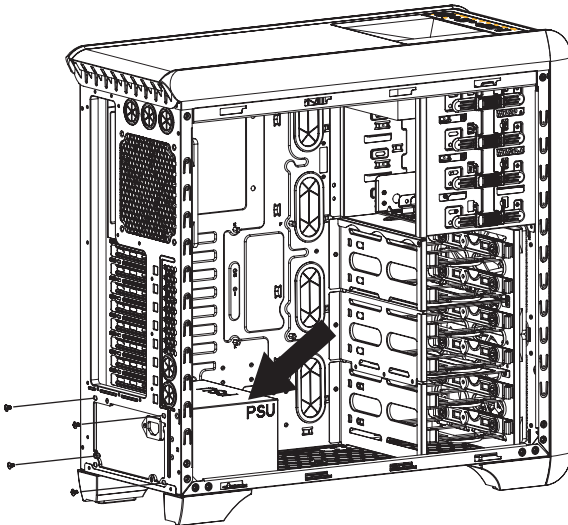
	<p>3 x M/B standoff</p>	<p>Motherboard</p>
	<p>27 x Screw A</p>	<p>Motherboard Power Supply</p>
	<p>20 x Screw B</p>	<p>External 5.25" device External 3.5" device</p>
	<p>12 x Screw C</p>	<p>2.5" HDD/SSD</p>
	<p>1 x Screw D</p>	<p>Pad lock</p>
	<p>1 x Pad lock</p>	<p>Lock side panel</p>
	<p>1 x PC SPEAKER</p>	<p>Motherboard</p>
	<p>5 x Cable tie</p>	<p>Cables</p>
	<p>1 x Stand-off socket</p>	<p>Motherboard Stand-off</p>

1.



Unscrew to remove left and right panels.

2.



Place the power supply from the left side into the chassis and secure with screws.

NOTICE :

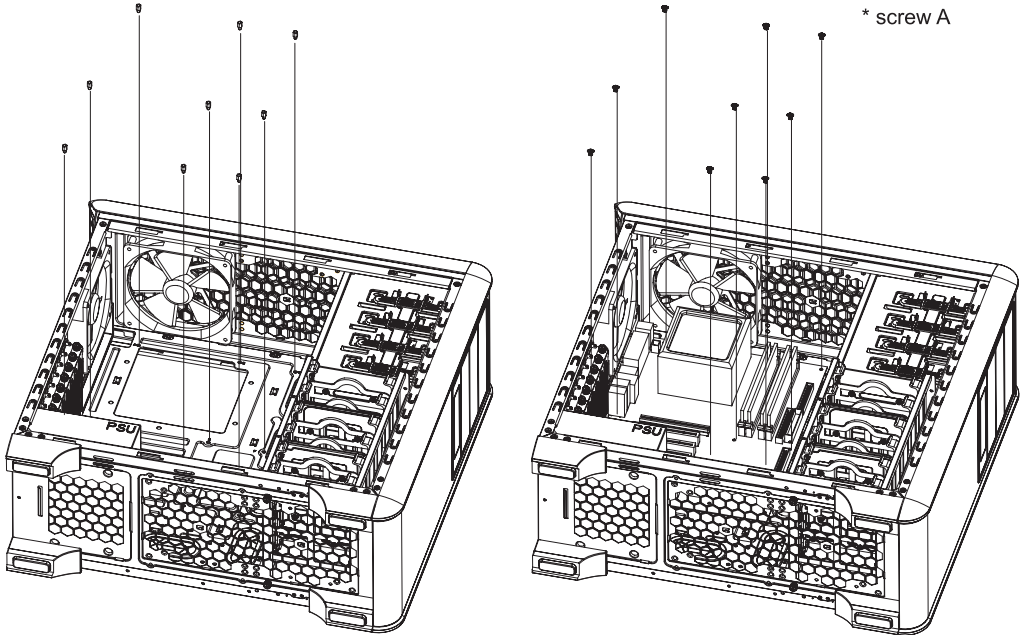
-If your power supply is equipped with single fan (120mm, 135mm or 140mm), please have the fan face to the bottom.

-Please remember to clean the PSU dust filter regularly or insufficient air intake may fail your power supply permanently.

* screw A

3.

Motherboard stand-off position
 ATX : A, B, C, D, E, F, J, K, L
 Micro-ATX : A, B, C, D, E, F, G, H, I

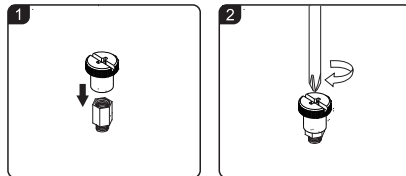


- Install motherboard stand-offs according to your motherboard's form factor.
- Place the motherboard onto stand-offs and secure with screws.

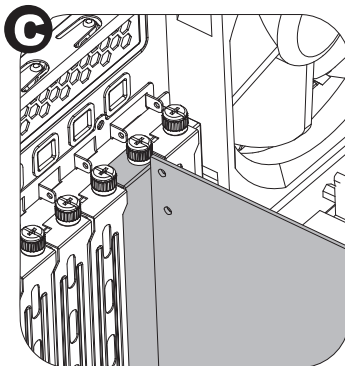
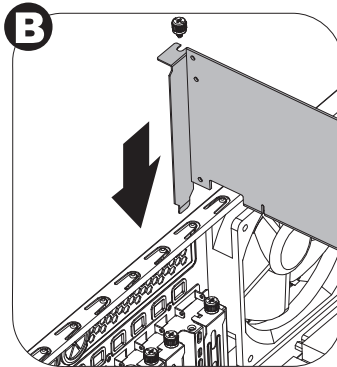
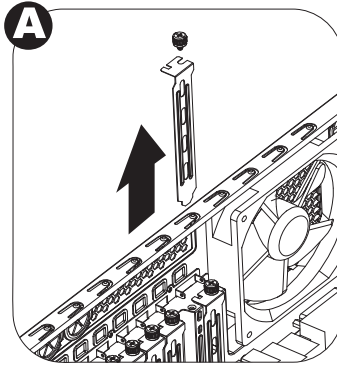
NOTE :

NOT every motherboard is made by standard, please set stand-offs according to your motherboard.

* Install/Uninstall stand-offs by stand-off socket.



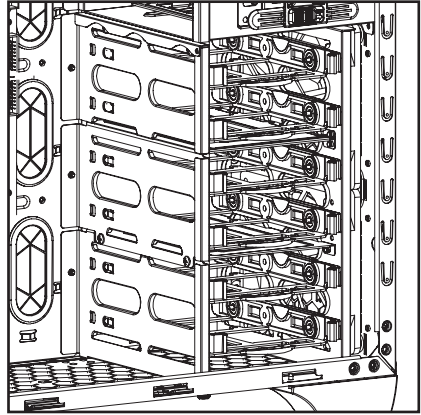
4.



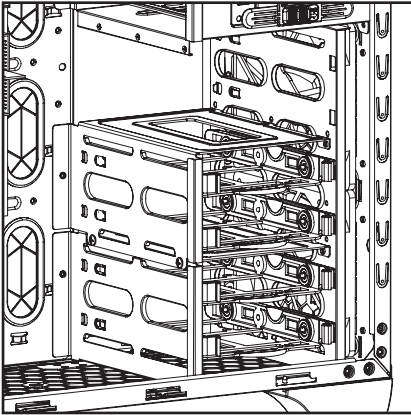
- Unscrew to remove slot cover.
- Install the add-on card into its position.
- Secure with thumb screw.

5.

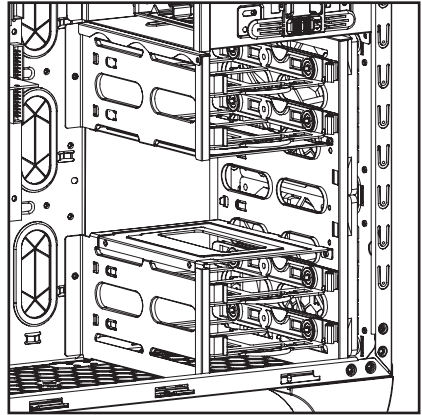
For long VGA card or liquid cooling radiator BLACKHAWK allows you to have 5 types of HDD cage placement.



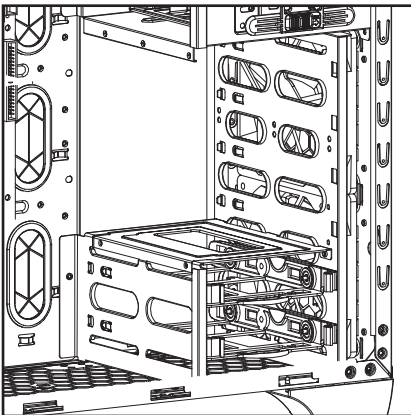
TYPE 1



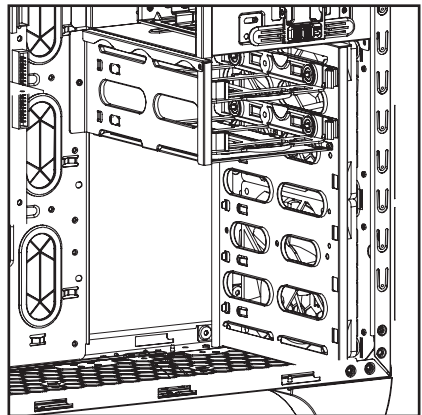
TYPE 2



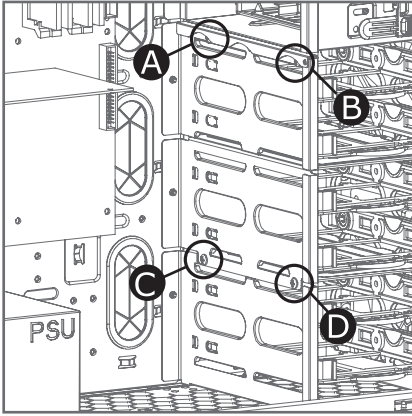
TYPE 3



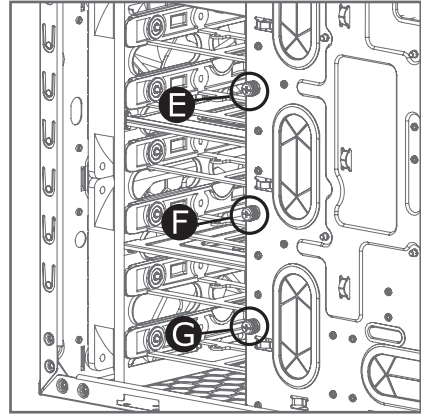
TYPE 4



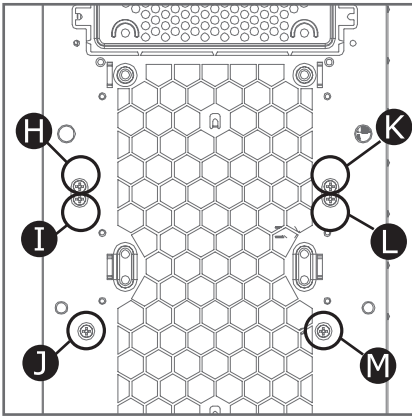
TYPE 5



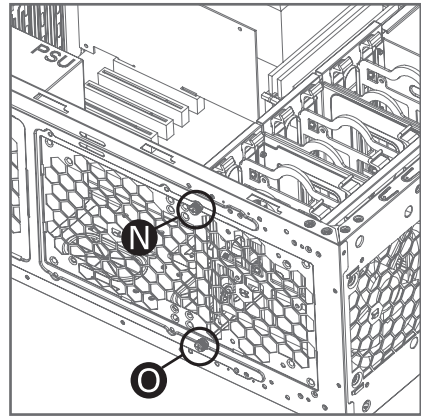
Internal side of HDD cages



Behind the Motherboard tray



Front panel of the steel chassis



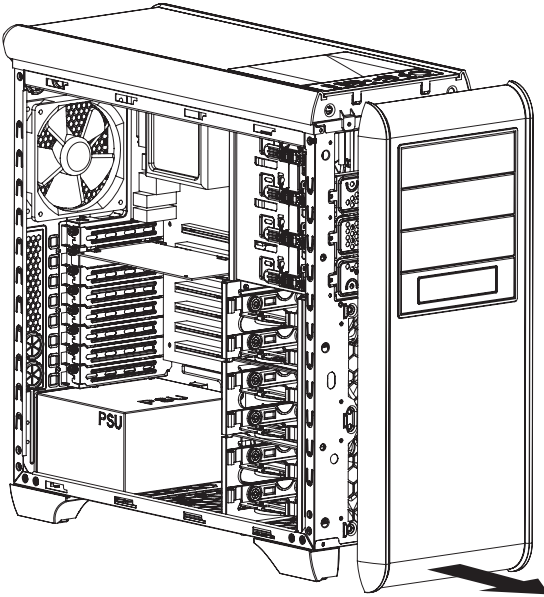
Bottom panel of the steel chassis

Type 1 = no HDD cage removed
 Type 2 = Upper cage removed
 Type 3 = Middle cage removed

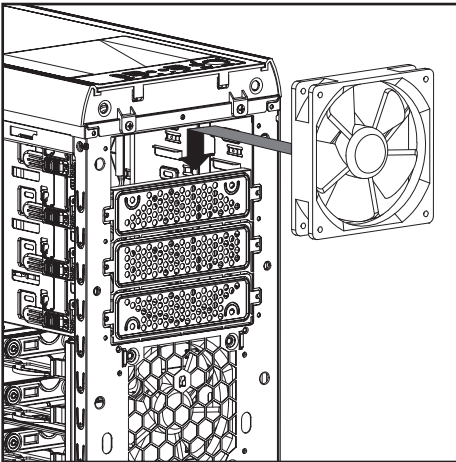
Type 4 = Upper & Middle HDD cages removed
 Type 5 = Middle & lower HDD cages removed

Remove the upper HDD cage - Unscrew A, B, E, H, K
 Remove the middle HDD cage - Unscrew C, D, F, I, L
 Remove the upper HDD cage - Unscrew C, D, G, J, M, N, O

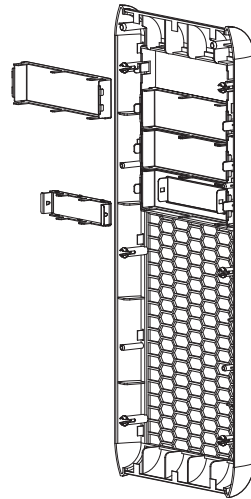
6.



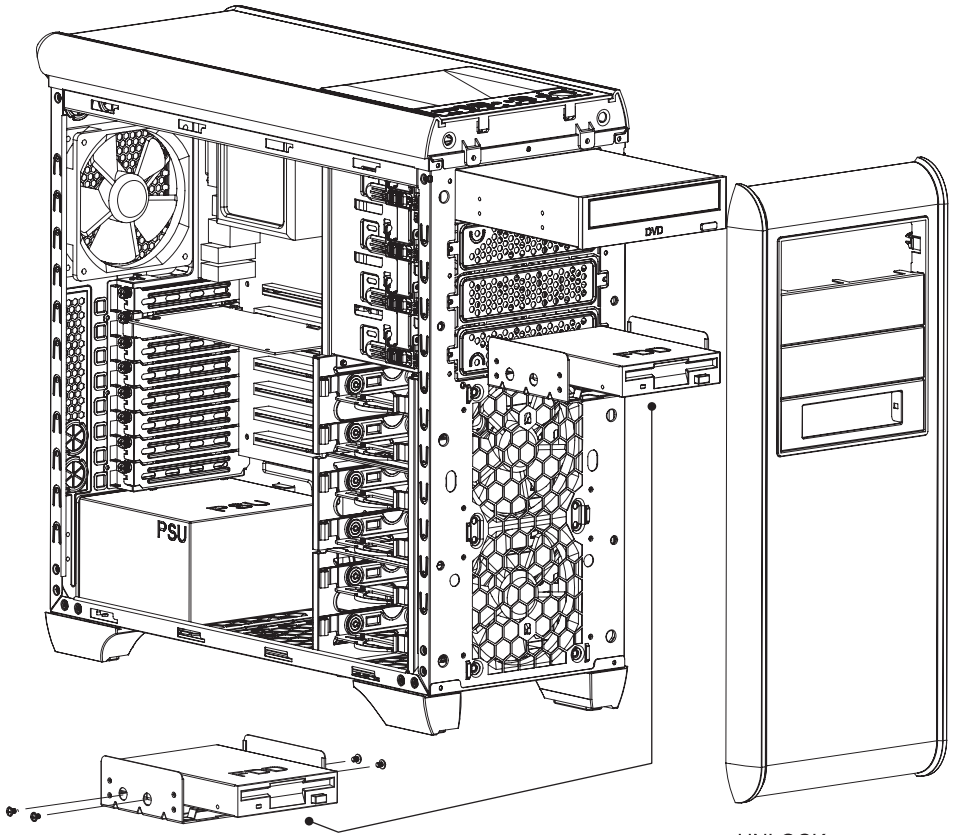
Pull from the bottom to remove the front panel.



NOTE : If you use only one 5.25" bay, you can install one 120mm fan onto three 5.25" steel cover with screws.

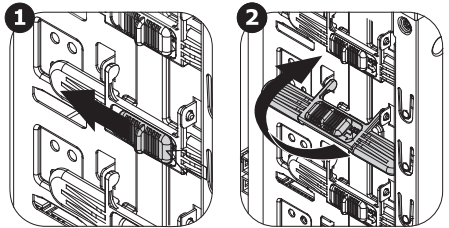


Confirm which bay(s) you want to install device(s) then remove the bay cover.

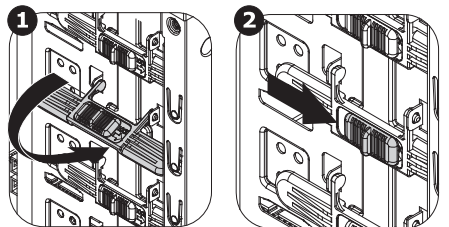


* screw B

UNLOCK



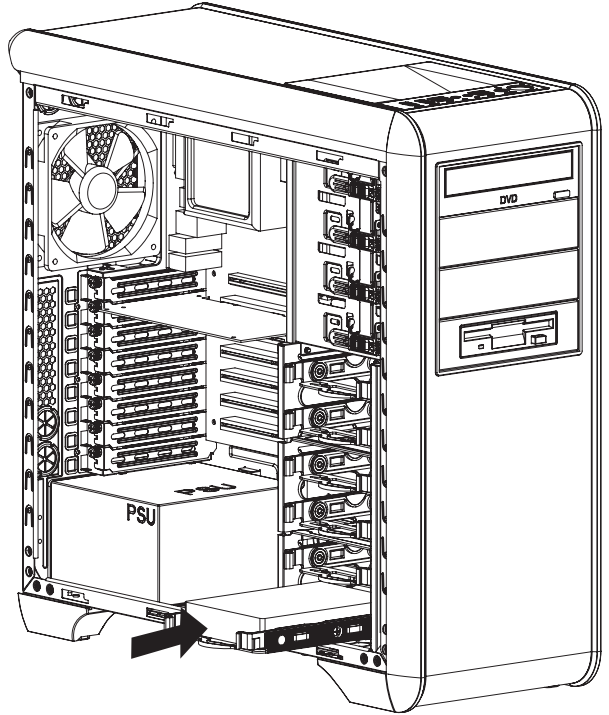
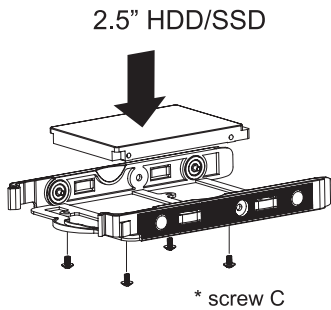
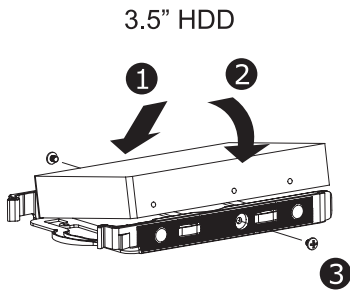
LOCK



-Put external 3.5" device onto the 3.5" to 5.25" adapter then secure with screws.

-Insert external 5.25" & 3.5 " devices into position then lock screw-less kits to secure them.

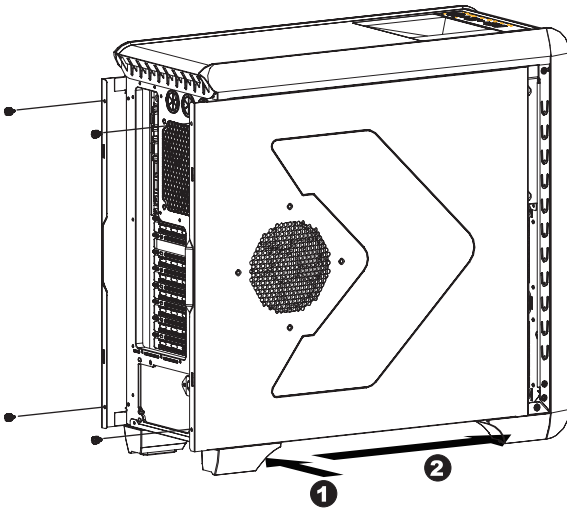
7.



3.5 " HDD : Bend the HDD tray slightly to load the HDD and secure with screws.
 2.5" HDD/SSD : Put the HDD onto the HDD tray and secure with screws.

-Insert it into its slot and push to the bottom to secure.

8.



Make sure all necessary cables and wires are connected, then reinstall side panels and secure with screws.

Thank you for purchasing a High-Quality Rosewill Product.

Please register your product at : <http://www.rosewill.com>
for complete warranty information and future support for your product.

If you have any question while using our products, please visit our website : www.rosewill.com
for latest driver & user manual or feel free to contact us.

Support Phone Number: 800-575-9885

Support Email: techsupport@rosewill.com

Rosewill[®]