

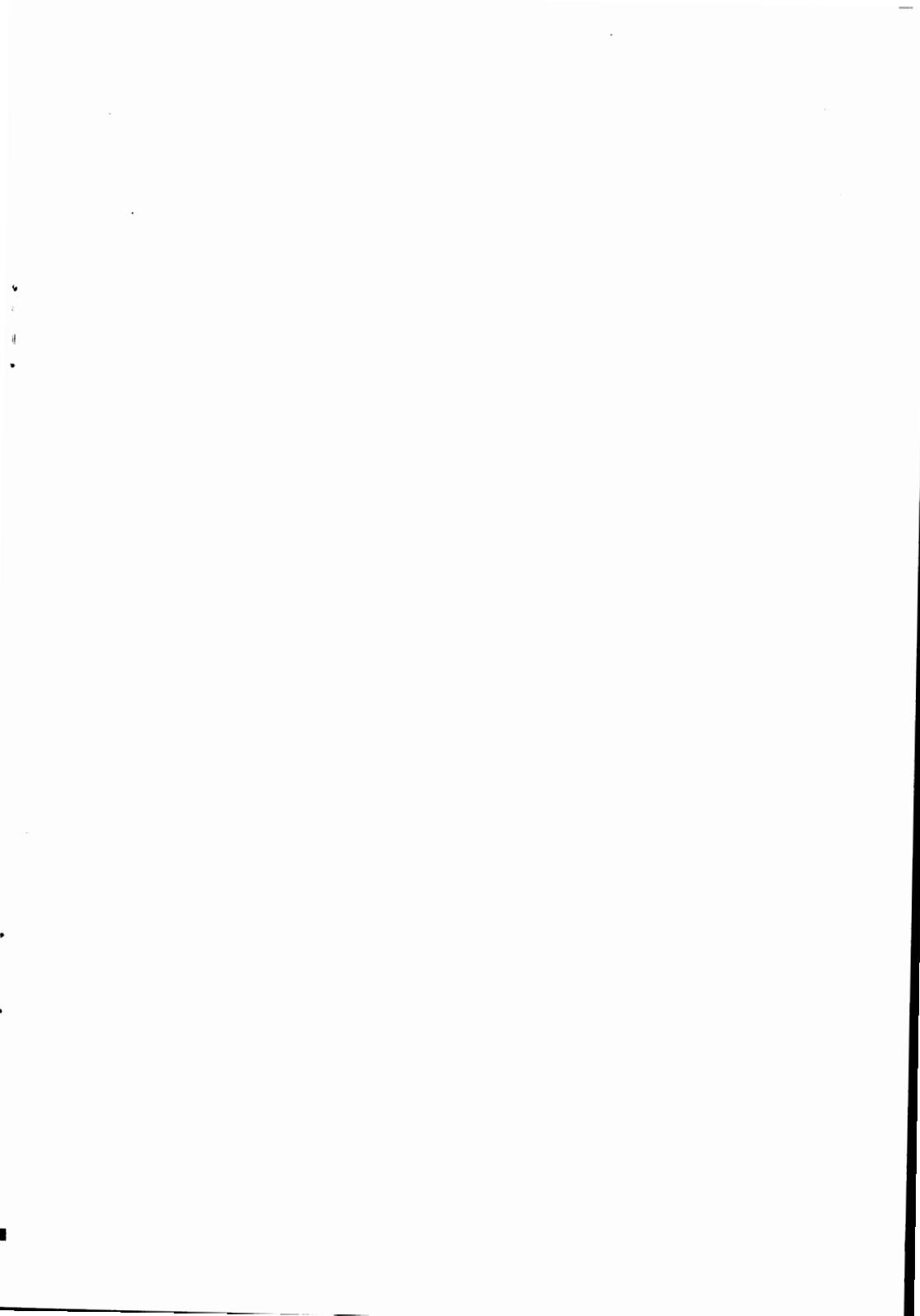
Rosewill[®]

m

**Internal SATA/SAS Hot-Swap Cage
3x 5.25" to 4x 3.5"/2.5"**

RSV-SATA-Cage-34

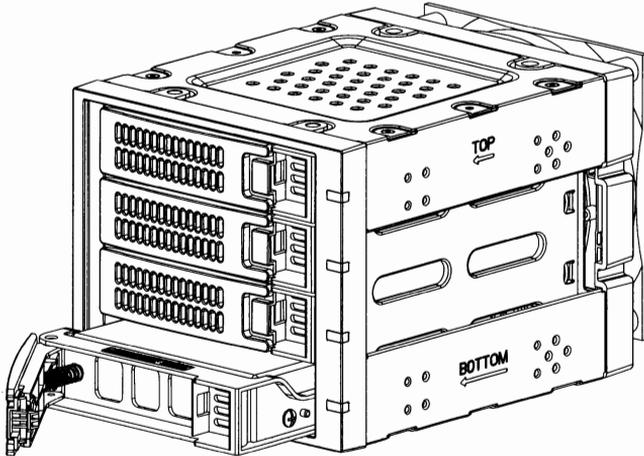
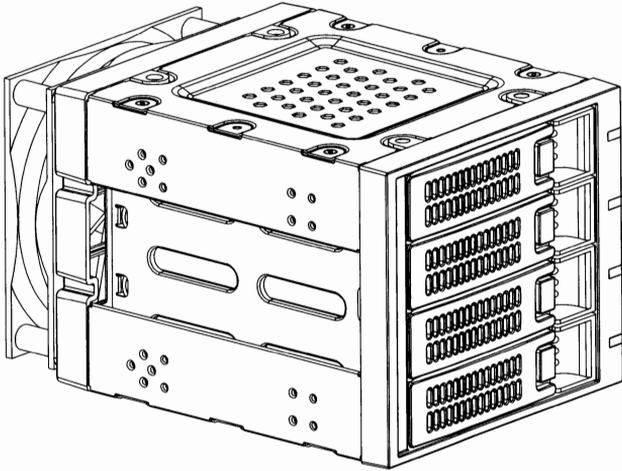
USER'S Manual



Contents

Product Overview	2
Introduction	3
Specification	3
Accessory Bag Detail	3
Installation Guide	4
Hard Drive Tray Assembly / Disassembly	4
Hard Drive Installation	4
Installing a 3.5" HDD	4
Installing a 2.5" HDD	5
Hot Swap Cage Cable Installation	5
Hot Swap Cage Installation – Case	6
Hot Swap Cage Installation – Server (RSV -L4000 as example)	7

Product Overview



Introduction

RSV-SATA-Cage-34 is a Hot Swap HDD Cage which converts space of 3x 5.25" CD-rom / DVD-rom to 4x 3.5" or 2.5" SATAI, SATAII, SATAIII, or SAS HDD tray. This cage allows you make better usage of your Server or Case spaces.

To use the Hot-Swap feature, Please set motherboard BIOS to AHCI and format the HDD using AHCI.

Specification

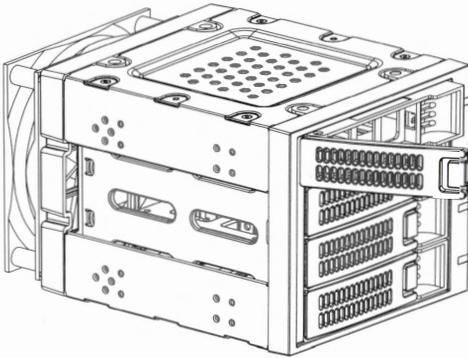
Enclosure Type	Modular HDD Rack
Color	Black
Case Material	Steel, ABS
Cooling System	
120mm Fans	Rear 120 mm Fan included
Expansion	
Hot-Swap 3.5"/2.5" Drive Bays	4x (SATA I, II, III, & SAS supported)
Physical Specification	
Control & Indicator	4 x LED (HDD)
Dimensions(L x W x H)	5.87" x 5.02" x 8.27" in (149 x 127.5 x 210 mm)
Weight	42.33 oz (1.2 kg)
Package Contents	1x RSV-SATA-Cage-34 Internal SATA/SAS Hot-Swap Cage 4x SATA Cables 1x Accessory Bag

Accessory Bag Detail

PIC	ITEM
	Round head with cap screw x8
	Socket head cap screw x16
	Clinch screw x16

Installation Guide

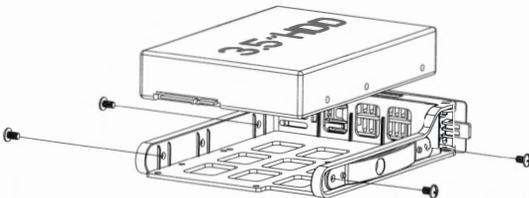
• Hard Drive Tray Assembly / Disassembly



1. Each HDD Tray has a press button for releasing the hinge. To remove the HDD Tray; first press the button.

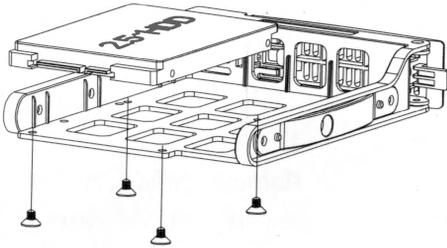
• Hard Drive Installation

Installing a 3.5" HDD



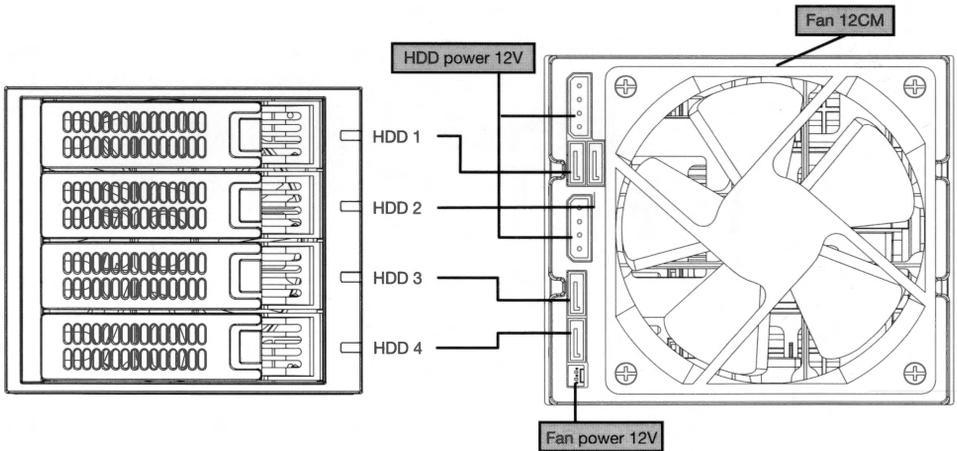
1. To install a 3.5" HDD, please make sure that the 3.5" HDD is align with the screw holes on the side of the tray. Then you can fasten all the screws onto the HDD. (Please make sure that the connector of the HDD is facing outward)

Installing a 2.5" HDD

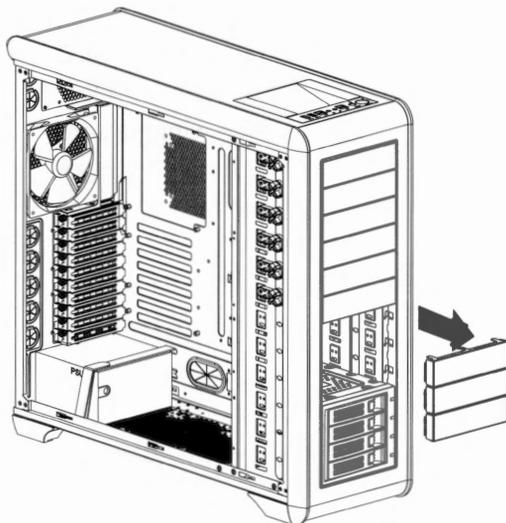


1. To install a 2.5" HDD, please make sure that the 2.5" HDD is align with the screw holes on the tray. Then you can fasten all the screws onto the HDD. (Please make sure that the connector of the HDD is facing outward)

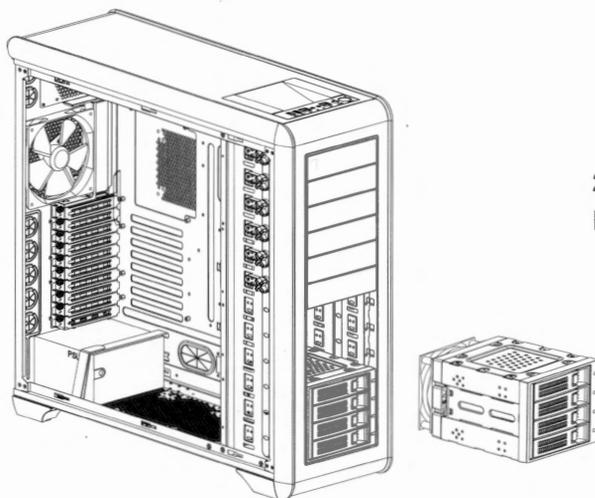
• Hot Swap Cage Cable Installation



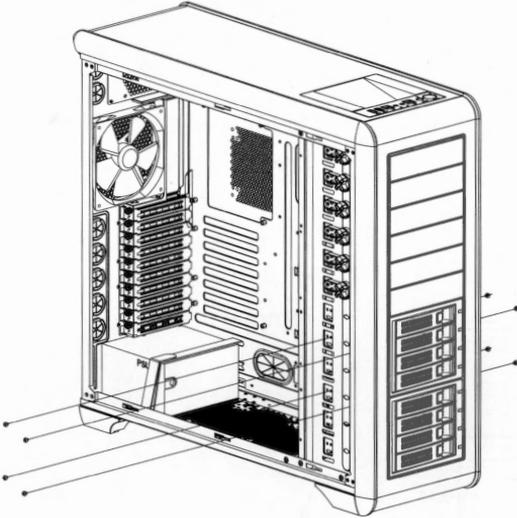
Hot Swap Cage Installation – Case



1. Remove three 5.25" bay covers from the case.

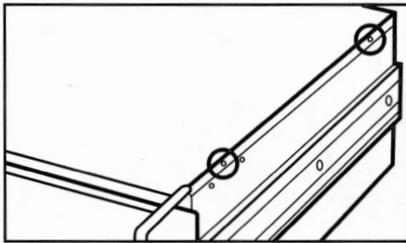


2. Insert the Cage into the slot.

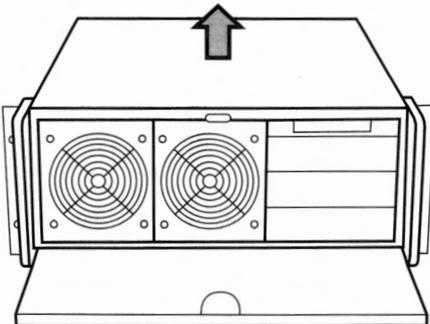


3. Secure the Cage with Screws

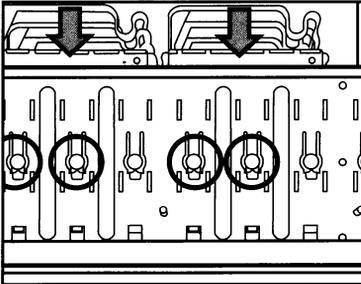
Hot Swap Cage Installation – Server (RSV-L4000 as example)



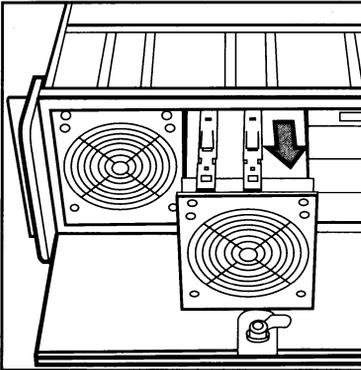
1. Remove the screws from each side of the Chassis. (two on each side)



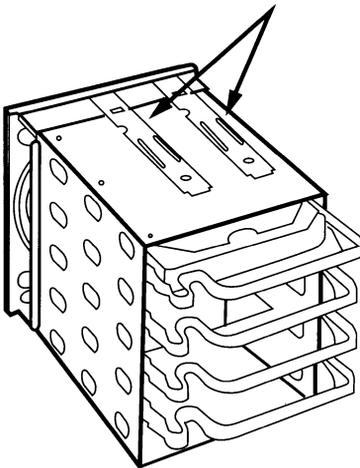
2. Once the screws removed, push the top cover to remove from the chassis.



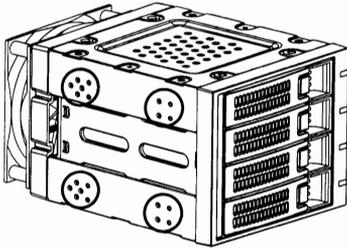
3. To remove the cage; first press the two round shape button using your thumbs, then use your index finger to push the 3.5" module to remove it.



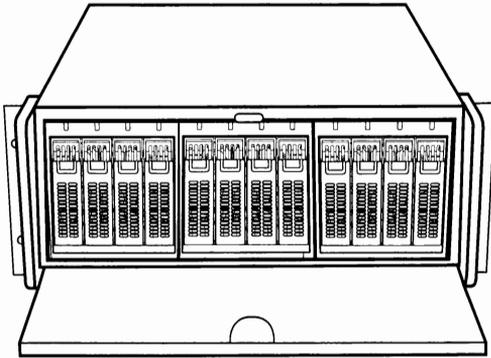
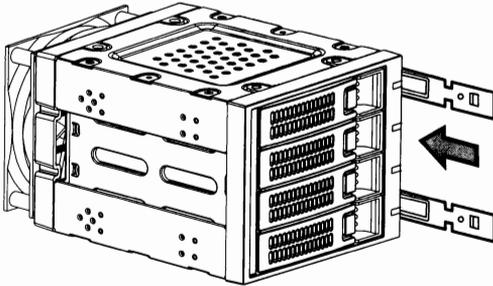
4. Pull the module out from the front.



5. Take down the top and bottom Cage rails.



6. Place the four rails onto the SATA/SAS Hot-Swap Cage



7. Slide the Cage into the Server Chassis to complete the installation process.

Thank you for purchasing a quality Rosewill Product.

Please register your product at: www.rosewill.com for complete warranty information and future support for your product.

Support: techsupport@rosewill.com

Call Center: (800) 575-9885

Web: <http://www.rosewill.com>

