



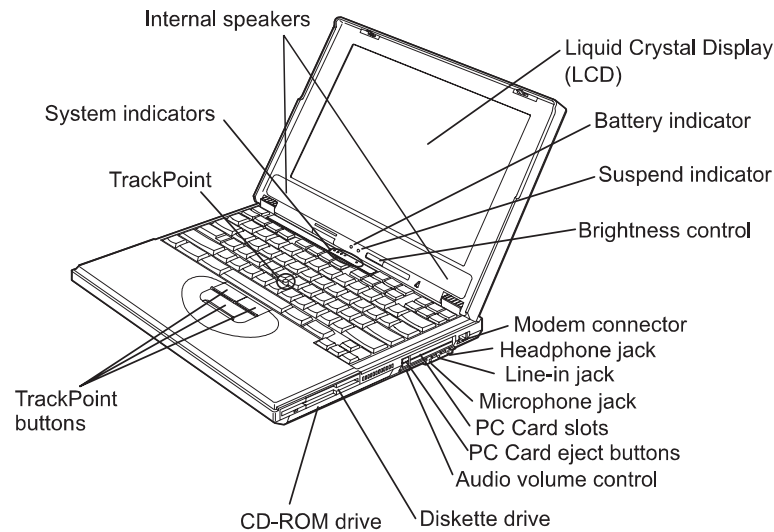
# ThinkPad 390



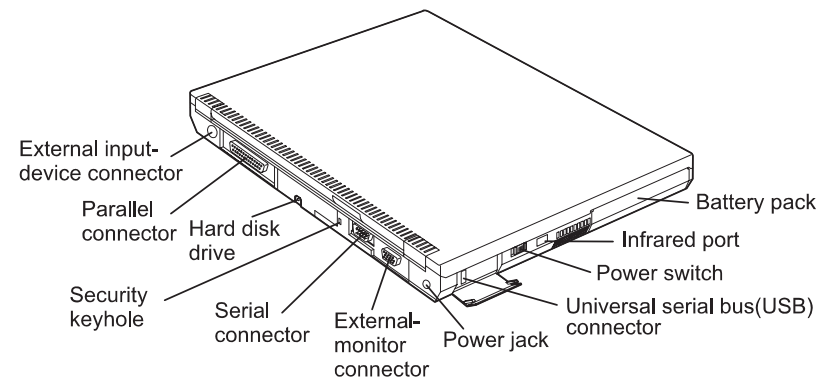
# Setup Guide

This guide provides information for setting up your computer for the first time.

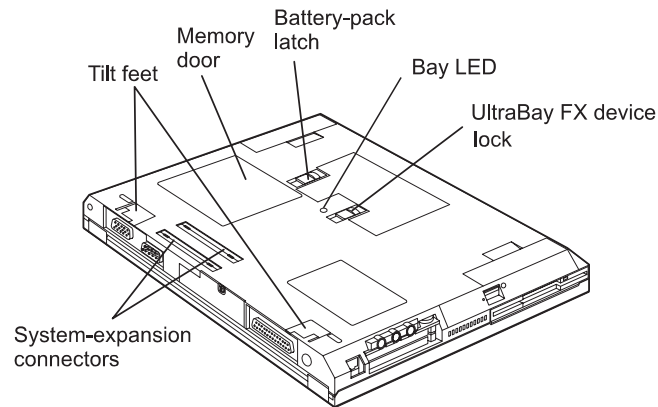
## Front View



## Rear View



## Bottom View

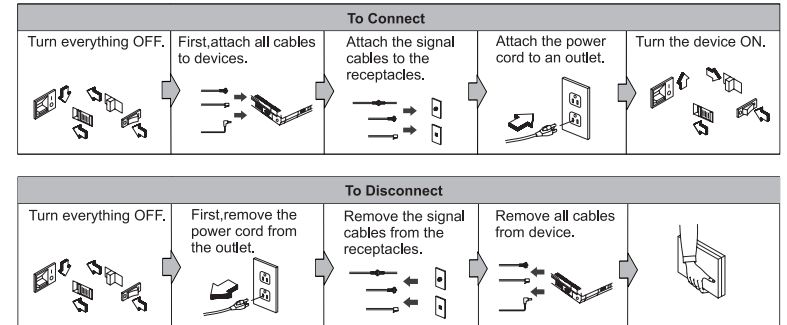


## Electrical Safety Notice



### DANGER

**Electrical current from power, telephone, and communication cables is hazardous. To avoid shock hazard, connect and disconnect cables as shown below when installing, moving, or opening the covers of this product or attached devices. The 3-pin power cord must be used with a properly grounded power outlet.**



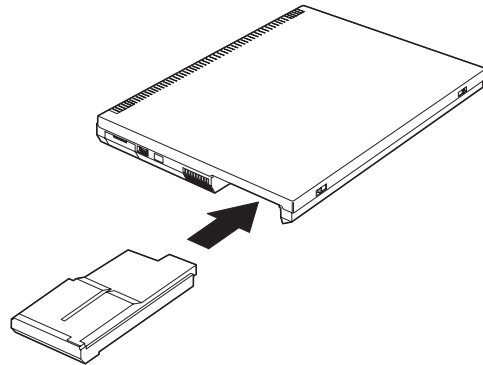
**Note:** In the U.K., by law:

- The telephone line cable must be connected after the power cord.
- The power cord must be disconnected after the telephone line cable.

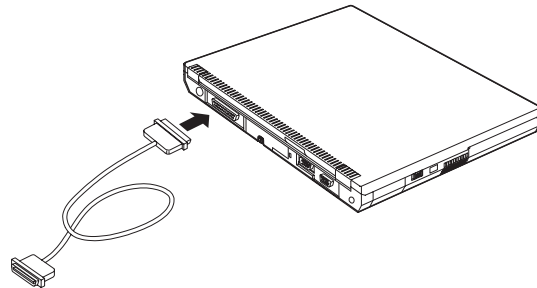
## Setting Up Your Computer

You are now ready to assemble and start your computer.

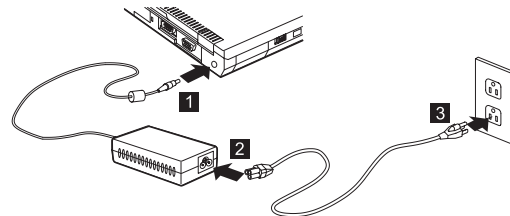
1. Insert the battery pack into the battery compartment located near the left front end of the computer.



2. If you want to connect a printer to your computer, connect one end of the printer cable to the parallel connector and the other end to your printer. Then power on the printer.

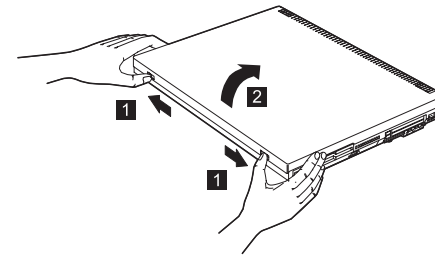


3. Connect the AC Adapter to the computer's power jack (at the rear of the computer) in the order shown.



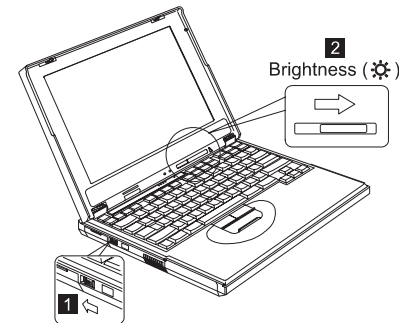
4. Open the liquid crystal display.

Pull the liquid crystal display (LCD) latches (1) and open the LCD (2). Then position the LCD so that it is convenient for viewing.



5. Power on the computer.

- a. Push and release the power switch (1). The power switch automatically snaps back to its original position.
- b. Adjust the display's brightness (2).

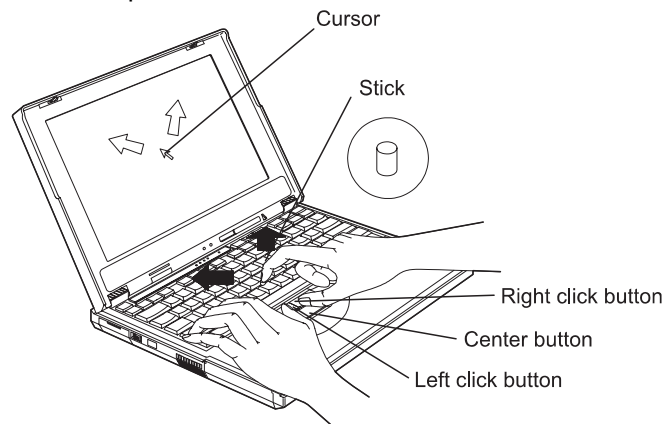


## Using the TrackPoint

The TrackPoint is a unique device for moving the cursor on the screen. You can perform all mouse operations with the TrackPoint. The left and right click buttons function like the left and right click buttons on a mouse. For an explanation of the center button, see the *User's Reference*.

To move the cursor, use the red-topped stick at the center of the keyboard. Press gently with your left or right index finger in the direction you want to move the cursor. To select and drag an object, press and hold one of the click buttons with either thumb as required by your software.

**Click** means to press the left click button once. **Double-click** means to press the left click button twice within 1 second.



For more information about the TrackPoint, see the *User's Reference*.

## Customizing Your Computer in Windows 98

After you complete the Windows 98 setup, the **ThinkPad Customization Center** icon is on your desktop. The **ThinkPad Customization Center** provides a collection of setup wizards to help you customize your computer for your specific needs.

To start the **ThinkPad Customization Center**, double-click on the ThinkPad Customization Center icon. The ThinkPad Customization Center is launched into the browser, Internet Explorer (4.0 or later). Follow the instructions on the screen.

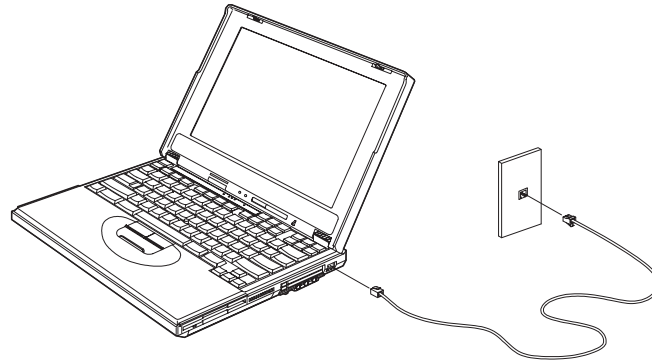
For latest information about Windows 98 on your ThinkPad, visit our Windows 98 Web site at [www.pc.ibm.com/software/windows98](http://www.pc.ibm.com/software/windows98)

## Registering Your Computer

After setting up Windows 98, take a few moments to complete the ThinkPad registration. The information provided by you will help IBM to better serve you in the future. To register from the Windows 98 desktop, do the following:

1. If you wish to register electronically, you need to connect your computer to a phone line.

Connect one end of the modem cable to the modem connector on the computer's right panel and the other end to an analog phone line.



2. Double-click on the **Register** icon.
3. Follow the instructions on the screen to complete the registration.

You can also register your computer at the following web site:

<http://www.pc.ibm.com/register>

## Getting More Information

After you have completed setting up your computer and Windows 98, please read Chapter 1 in the User's Reference

before you start using the computer. If you want to learn more about your computer and its options, see the following:

User's Reference	Online User's Guide
<ul style="list-style-type: none"> <li>• Getting familiar with your computer</li> <li>• Extending the features of your computer</li> <li>• Protecting your computer</li> <li>• Troubleshooting</li> <li>• Getting service</li> <li>• Features and specifications</li> <li>• Product warranties and notices</li> <li>• Glossary and index</li> </ul>	<ul style="list-style-type: none"> <li>• Using your computer outside your country</li> <li>• Using audio and modem features</li> <li>• Protecting your computer</li> <li>• Operating with a battery pack</li> <li>• Using a PC Card</li> <li>• Resolving system resource conflicts</li> <li>• Troubleshooting</li> <li>• Installing software</li> <li>• Managing your system</li> <li>• Using PS2 commands</li> </ul>
<p><b>Note:</b> To see the <b>Online User's Guide</b> , click on <b>Start</b>, move the cursor to <b>Programs, ThinkPad</b>, then click on <b>ThinkPad Online User's Guide</b>.</p>	