



**ThinkPad 600**  
**UltrasmimBay HDD Adapter**

---

*User's Guide*

**OPTIONS**  
*by* **IBM**

**First Edition (July 1998)**

**The following paragraph does not apply to the United Kingdom or any country where such provisions are inconsistent with local law:**

INTERNATIONAL BUSINESS MACHINES CORPORATION PROVIDES THIS PUBLICATION "AS IS" WITHOUT ANY WARRANTY OF ANY KIND, EITHER EXPRESS OR IMPLIED, INCLUDING, BUT NOT LIMITED TO, THE LIMITED WARRANTIES OF MERCHANTABILITY OR FITNESS FOR A PARTICULAR PURPOSE. Some states do not allow disclaimers or express or implied warranties in certain transactions; therefore, this statement may not apply to you.

This publication could include technical inaccuracies or typographical errors. Changes are periodically made to the information herein; these changes will be incorporated in new editions of the publication. IBM may make improvements or changes in the products or the programs described in this publication at any time.

It is possible that this publication may contain reference to, or information about, IBM products (machines and programs), programming, or services that are not announced in your country. Such references or information must not be construed to mean that IBM intends to announce such IBM products, programming, or services in your country.

Requests for technical information about IBM products should be made to your IBM authorized dealer or your IBM marketing representative.

**Copyright International Business Machines Corporation 1998. All rights reserved.**

Note to U.S. Government Users — Documentation related to restricted rights — Use, duplication or disclosure is subject to restrictions set forth in GSA ADP Schedule Contract with IBM Corp.

## *Contents*

---

|   |     |
|---|-----|
| <b>Part 1. Using the ThinkPad 600 UltralimBay HDD Adapter</b> . . . . . | 1-1 |
| Putting the HDD into the HDD Adapter . . . . .                          | 1-2 |
| Inserting the HDD Adapter into the UltralimBay . . . . .                | 1-4 |
| Updating the System Program . . . . .                                   | 1-6 |

---

|   |     |
|---|-----|
| <b>Part 2. Appendixes</b> . . . . .                       | 2-1 |
| <b>Appendix A. Help and Service Information</b> . . . . . | 2-1 |
| Step 1. Problem Solving . . . . .                         | 2-1 |
| Step 2. Preparing for the Call . . . . .                  | 2-2 |
| Step 3. Placing the Call to IBM . . . . .                 | 2-2 |
| <b>Appendix B. Product Warranty</b> . . . . .             | 2-3 |
| <b>Appendix C. Notices</b> . . . . .                      | 2-6 |



---

## Part 1. Using the ThinkPad 600 UltraslimBay HDD Adapter

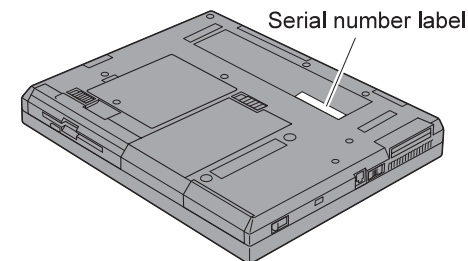
The *ThinkPad 600 UltraslimBay HDD Adapter* (hereafter called *HDD Adapter*) supports the ThinkPad 600 series computer. You can upgrade the capacity of your computer by installing a secondary hard disk drive.

To install the hard disk drive (hereafter called *HDD*) into your computer, you must first assemble the HDD with the HDD Adapter. Then you insert the HDD Adapter into the UltraslimBay.

If you are using one of the following ThinkPad 600 computer models, you need to update the system program:

| IBM Product Name | Machine Type  |
|------------------|---|
| ThinkPad 600     | 2645-21x, 31x, 35x, 41x, or 51x<br>x can be any number. |

Check the serial number label to determine the machine type of your computer.



A diskette (for diskette installation) is supplied to update the program. Before using the HDD Adapter for the first time, be sure to have the *system program diskette* on hand.

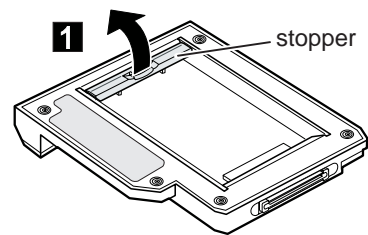
This book explains how to insert the HDD Adapter into the computer and how to update the system program.

## Putting the HDD into the HDD Adapter

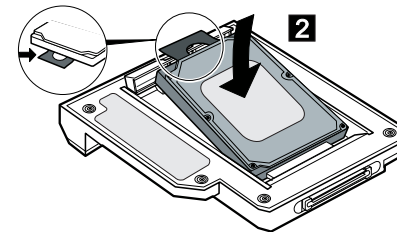
This section describes how to put the HDD into the HDD Adapter.

**Note:** Replace a hard disk drive only if you are upgrading it or having it repaired. **You should not replace it often.**

- 1 Open the HDD Adapter stopper 1 .

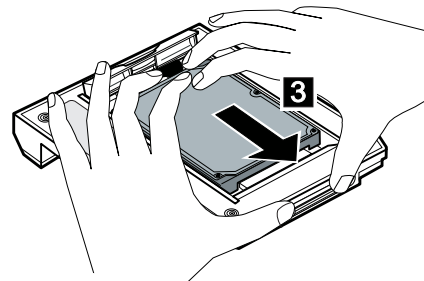


- 2 Install the HDD with the label facing upward as shown 2 .

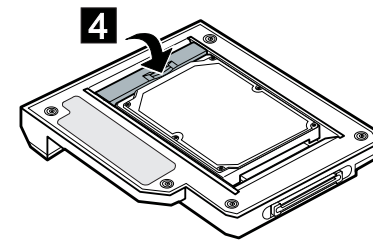


**Note:** Make sure not to leave the strap under the HDD.

**3** Connect the HDD to the HDD Adapter connector 3 .



**4** Close the HDD Adapter stopper 4 .



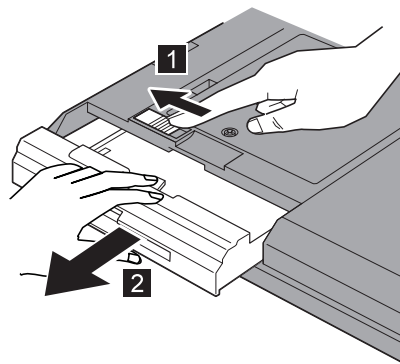
**Notes:**

1. Make sure that the HDD is installed tightly in the HDD Adapter.
2. Do not push the cover too hard; otherwise, the HDD or HDD Adapter might become damaged.

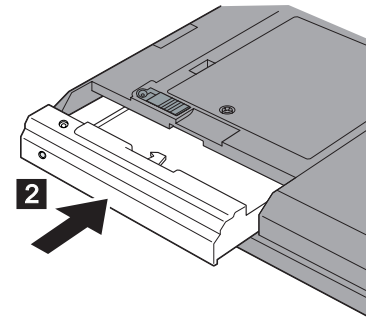
## Inserting the HDD Adapter into the UltraslimBay

This section describes how to insert the HDD Adapter into the UltraslimBay of your ThinkPad computer.

- 1** Power off the computer, and remove the AC Adapter and cables; then turn the computer upside down.
- 2** Push the UltraslimBay device lock to the unlock position **1** , and remove the device currently in the UltraslimBay **2** .



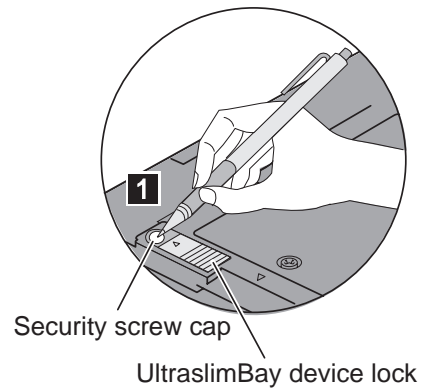
- 3** Insert the HDD Adapter into the UltraslimBay **2** .



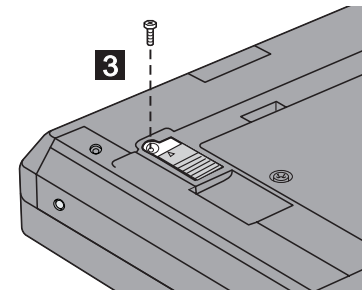


If you want to secure your HDD Adapter, do as follows; otherwise, go to step 4.

- a. Prick the security screw cap with the tip of a ball-point pen **1**, and then use the hole to remove the cap.



- b. Install a hex-head screw into the screw hole **3**.



**Note:** To tighten the security screw (or to remove it), use a 2.5-mm Allen wrench.

- 4** Turn the computer right side up. Connect the AC Adapter and cables; then power on the computer.

## Updating the System Program

If you are using one of the following ThinkPad 600 computer models, you need to update the system program:

**ThinkPad 600**      2645-21x, 31x, 35x, 41x, or 51x  
x can be any number.

Update the system program as follows:

**1** Verify the following:

- Your computer is powered off.
- Your computer is undocked.
- The battery in your computer is fully charged.
- Your computer is connected to the AC Adapter.

**2** Insert the system program diskette into the diskette drive.

**3** Power on the computer. Information is displayed indicating whether your system program version is the latest.

**4** If your system program version is the latest, quit the program.

If your system program version is *not* the latest, follow the instructions on the screen to update it.

**Note:** Do not power off the computer before the system program is updated.

### *Appendix A. Help and Service Information*

If you have questions about your new Options by IBM product, or if you require technical assistance, visit the IBM Personal Computing Web site at <http://www.ibm.com/thinkpad> for information about IBM, Options by IBM, or IBM Service and Support. Additionally, you can receive information from the IBM Automated Fax system at 1-800-426-3395 (in Canada, 1-800-465-3299), or from the Personal Systems Group Bulletin Board System (PSG BBS) at 1-919-517-0001. You can also get help and information through the IBM PC HelpCenter, 24 hours a day, seven days a week. Response time might vary depending on the number and nature of the calls received.

Marketing, installation, and configuration support through the HelpCenter will be withdrawn or made available for a fee, at IBM's discretion, 90 days after the option has been withdrawn from marketing. Additional support offerings, including step-by-step installation assistance, are available for a nominal fee.

During the warranty period, assistance for replacement or exchange of defective components is available. In addition, if your IBM option is installed in an IBM computer, you might be entitled to service at your location. Your technical support representative can help you determine the best alternative.

### **Step 1. Problem Solving**

You may be able to solve the problem yourself. Before calling the HelpCenter, please prepare for the call by following these steps:

1. If you are having installation or configuration problems, refer to the detailed sections on installation found in this manual, and review any README.TXT files found on the installation diskettes.
2. Visit the Service and Support section of the Personal Computing Web site specific to the model of option you have purchased. Updated installation instructions, hints and tips, or updated system-specific notes are often published in this section. You might find that later device drivers are available that will improve the performance and compatibility for your new option.

If you are installing this option in an IBM computer, also visit the applicable Web page for that computer model. These pages might also contain useful hints and tips related to installation of this option and might refer to BIOS or device-driver updates required for your computer model. If you are installing the option in a non-IBM computer, refer to the manufacturer's Web site.

3. Uninstall, and then reinstall the option. During the uninstallation process, be sure to remove any files that were installed during the

previous installation. Many IBM options include uninstallation programs.

4. Check all cabling to be sure that it is correct as shown in this manual. When you connect a cable to a cable connector, pay close attention to the colored stripes along the edge of the cable, and ensure that they are matched with PIN 1, on both the computer connector and the option connector.
5. If your option contains jumpers or switches, be sure their positions and orientation match the instructions in this manual.

## Step 2. Preparing for the Call

To assist the technical support representative, have available as much of the following information as possible:

1. Option name
2. Option number
3. Proof of purchase
4. Computer manufacturer, model, serial number (if IBM), and manual
5. Exact wording of the error message (if any)
6. Description of the problem
7. Hardware and software configuration information for your system

If possible, be at your computer. Your technical support representative might want to walk you through the problem during the call.

## Step 3. Placing the Call to IBM

If you call 90 days or more after the date of withdrawal or after your warranty has expired, you might be charged a fee.

For the support telephone number and support hours by country, refer to the following table or to the enclosed technical support insert. If the number is not provided, contact your IBM reseller or IBM marketing representative.

| <i>Support 24 hours a day, 7 days a week</i> |                |
|--|----------------|
| Canada                                       | 1-800-565-3344 |
| U.S.A. or Puerto Rico                        | 1-800-772-2227 |

## Additional Technical Support Resources

Online technical support is available during the life of your product. Online assistance can be obtained through the IBM Automated Fax System, the Personal Computing Web page, and the PSG Electronic Bulletin Board System.

| <i>Online Technical Support</i> |  |
|---------------------------------|--|
| IBM Personal Computing Web Page | www.pc.ibm.com                               |
| IBM PSG BBS                     | 1-919-517-0001                               |
| IBM Automated Fax System        | 1-800-426-3395<br>1-800-465-3299 (in Canada) |

## Appendix B. Product Warranty

The following warranty information applies to products purchased in the United States, Canada, and Puerto Rico. For warranty terms and conditions for products purchased in other countries, see the enclosed warranty insert, or contact your IBM reseller or IBM marketing representative.

International Business Machines Corporation

Armonk, New York 10504

### Statement of Limited Warranty

*The warranties provided by IBM in this Statement of Limited Warranty apply only to Machines you originally purchase for your use, and not for resale, from IBM or your reseller. The term "Machine" means an IBM machine, its features, conversions, upgrades, elements, or accessories, or any combination of them. Unless IBM specifies otherwise, the following warranties apply only in the country where you acquire the Machine. If you have any questions, contact IBM or your reseller.*

**Machine:** ThinkPad 600 UltralimBay HDD Adapter

**Warranty Period\*:** One year

*\*Contact your place of purchase for warranty service information.*

### Production Status

Each Machine is manufactured from new parts, or new and used parts. In some cases, the Machine may not be new and may have been previously installed. Regardless of the Machine's production status, IBM's warranty terms apply.

### The IBM Warranty for Machines

IBM warrants that each Machine 1) is free from defects in materials and workmanship and 2) conforms to IBM's Official Published Specifications. The warranty period for a Machine is a specified, fixed period commencing on its Date of Installation. The date on your receipt is the Date of Installation, unless IBM or your reseller informs you otherwise.

During the warranty period IBM or your reseller, if authorized by IBM, will provide warranty service under the type of service designated for the Machine and will manage and install engineering changes that apply to the Machine.

For IBM or your reseller to provide warranty service for a feature, conversion, or upgrade, IBM or your reseller may require that the Machine on which it is installed be 1) for certain Machines, the designated, serial-numbered Machine and 2) at an engineering-change level compatible with the feature, conversion, or upgrade. Many of these transactions involve the removal of parts and their return to IBM. You represent that all removed parts are genuine and unaltered. A part that replaces a removed part will assume the warranty service status of the replaced part.

If a Machine does not function as warranted during the warranty period, IBM or your reseller will repair it or replace it with one that is at least functionally equivalent, without charge. The replacement may not be new, but will be in good working order. If IBM or your reseller is unable to repair or replace the Machine, you may return it to your place of purchase and your money will be refunded.

If you transfer a Machine to another user, warranty service is available to that user for the remainder of the warranty period. You should give your proof of purchase and this Statement to that user. However, for Machines which have a lifetime warranty, this warranty is not transferable.

### **Warranty Service**

To obtain warranty service for the Machine, you should contact your reseller or call IBM. In the United States, call IBM at **1-800-772-2227**. In Canada, call IBM at **1-800-565-3344**. You may be required to present proof of purchase.

IBM or your reseller will provide certain types of repair and exchange service, either at your location or at IBM's or your reseller's service center, to restore a Machine to good working order.

When a type of service involves the exchange of a Machine or part, the item IBM or your reseller replaces becomes its property, and the replacement becomes yours. You represent that all removed items are genuine and unaltered. The replacement may not be new, but will be in good working order and at least functionally equivalent to the item replaced. The replacement assumes the warranty service status of the replaced item. Before IBM or your reseller exchanges a Machine or part, you agree to remove all features, parts, options, alterations, and attachments not under warranty service. You also agree to ensure that the Machine is free of any legal obligations or restrictions that prevent its exchange.

You agree to:

1. obtain authorization from the owner to have IBM or your reseller service a Machine that you do not own; and
2. where applicable, before service is provided —
  - a. follow the problem determination, problem analysis, and service request procedures that IBM or your reseller provide,
  - b. secure all programs, data, and funds contained in a Machine, and
  - c. inform IBM or your reseller of changes in a Machine's location.

IBM is responsible for loss of, or damage to, your Machine while it is 1) in IBM's possession or 2) in transit in those cases where IBM is responsible for the transportation charges.

### **Extent of Warranty**

IBM does not warrant uninterrupted or error-free operation of a Machine.

The warranties may be voided by misuse, accident, modification, unsuitable physical or operating environment, improper maintenance by you, removal or alteration of Machine or parts identification labels, or failure caused by a product for which IBM is not responsible.

THESE WARRANTIES REPLACE ALL OTHER WARRANTIES OR CONDITIONS, EXPRESS OR IMPLIED, INCLUDING, BUT NOT LIMITED TO, THE IMPLIED WARRANTIES OR CONDITIONS OF MERCHANTABILITY AND FITNESS FOR A PARTICULAR PURPOSE. THESE WARRANTIES GIVE YOU SPECIFIC LEGAL RIGHTS AND YOU MAY ALSO HAVE OTHER RIGHTS WHICH VARY FROM JURISDICTION TO JURISDICTION. SOME JURISDICTIONS DO NOT ALLOW THE EXCLUSION OR LIMITATION OF EXPRESS OR IMPLIED WARRANTIES, SO THE ABOVE EXCLUSION OR LIMITATION MAY NOT APPLY TO YOU. IN THAT EVENT SUCH WARRANTIES ARE LIMITED IN DURATION TO THE WARRANTY PERIOD. NO WARRANTIES APPLY AFTER THAT PERIOD.

### **Limitation of Liability**

Circumstances may arise where, because of a default on IBM's part or other liability, you are entitled to recover damages from IBM. In each such instance, regardless of the basis on which you are entitled to claim damages from IBM (including fundamental breach, negligence, misrepresentation, or other contract or tort claim), IBM is liable only for:

1. damages for bodily injury (including death) and damage to real property and tangible personal property; and

2. the amount of any other actual direct damages or loss, up to the greater of U.S. \$100,000 or the charges (if recurring, 12 months' charges apply) for the Machine that is the subject of the claim.

UNDER NO CIRCUMSTANCES IS IBM LIABLE FOR ANY OF THE FOLLOWING:

1. THIRD-PARTY CLAIMS AGAINST YOU FOR LOSSES OR DAMAGES (OTHER THAN THOSE UNDER THE FIRST ITEM LISTED ABOVE);
2. LOSS OF, OR DAMAGE TO, YOUR RECORDS OR DATA;  
OR
3. SPECIAL, INCIDENTAL, OR INDIRECT DAMAGES OR FOR ANY ECONOMIC CONSEQUENTIAL DAMAGES (INCLUDING LOST PROFITS OR SAVINGS), EVEN IF IBM OR YOUR RESELLER IS INFORMED OF THEIR POSSIBILITY. SOME JURISDICTIONS DO NOT ALLOW THE EXCLUSION OR LIMITATION OF INCIDENTAL OR CONSEQUENTIAL DAMAGES, SO THE ABOVE EXCLUSION OR LIMITATION MAY NOT APPLY TO YOU.

## ***Appendix C. Notices***

References in this publication to IBM products, programs, or services do not imply that IBM intends to make these available in all countries in which IBM operates. Any reference to an IBM product, program, or service is not intended to state or imply that only that IBM product, program, or service may be used. Any functionally equivalent product, program, or service that does not infringe any of the intellectual property rights of IBM may be used instead of the IBM product, program, or service. The evaluation and verification of operation in conjunction with other products, except those expressly designated by IBM, are the responsibility of the user.

IBM may have patents or pending patent applications covering subject matter in this document. The furnishing of this document does not give you any license to these patents. You can send license inquiries, in writing, to the IBM Director of Licensing, IBM Corporation, 500 Columbus Avenue, Thornwood, NY 10594, U.S.A.

### **Trademarks**

The following terms are trademarks of the IBM Corporation in the United States or other countries or both:

IBM

ThinkPad





# IBM

Part Number: 05K8522

Approval Draft

Printed in the United States of America

5K8522

