

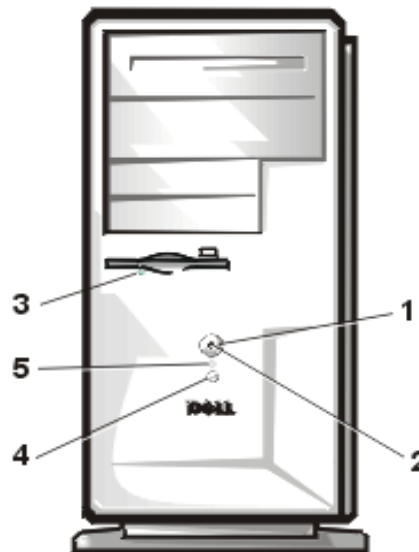
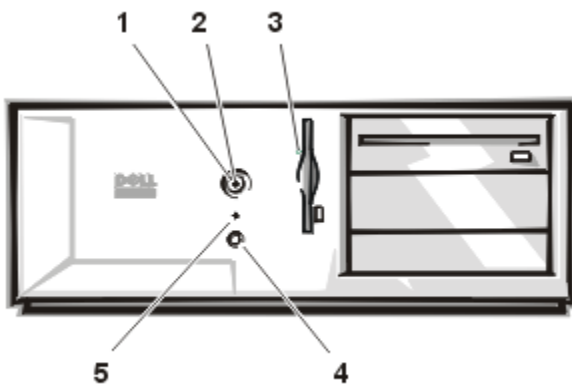
[Back to Contents Page](#)

Controls and Lights: Dell™ Dimension™ 4100 System Reference

[Front Panel](#)

[Back Panel](#)

Front Panel



1 Power button — Turns the computer on and off.

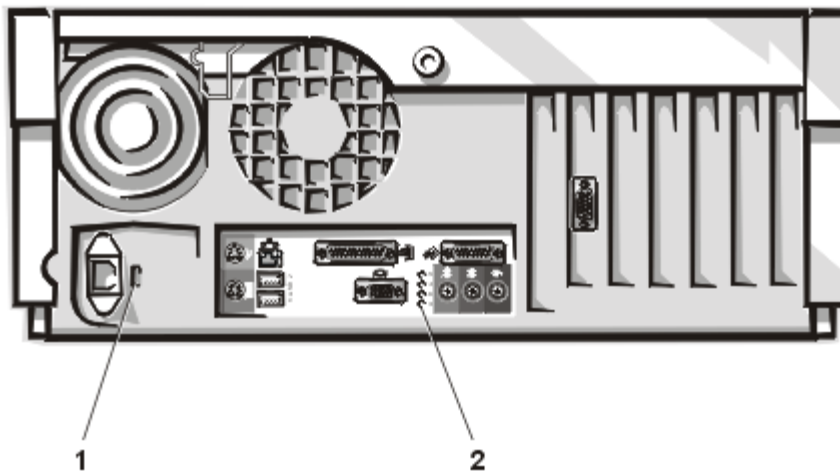
2 Power light — Lights up when the computer is on.

3 Floppy-drive access indicator — Lights up when the floppy drive is being accessed.

4 Reset button — Press this button for 1 to 4 seconds to initiate a hardware reset. To avoid possible data or file structure corruption, close as many open programs and files as possible before pressing the reset button.

5 Hard-drive access light — Lights up when a hard drive is being accessed.

Back Panel



- 1 Voltage selection switch — Selects the [operating voltage](#) for the computer.
- 2 Diagnostic code lights (4) — If a malfunction is detected and the computer fails to start, the lights display a [code](#) that identifies the problem.

[Back to Contents Page](#)