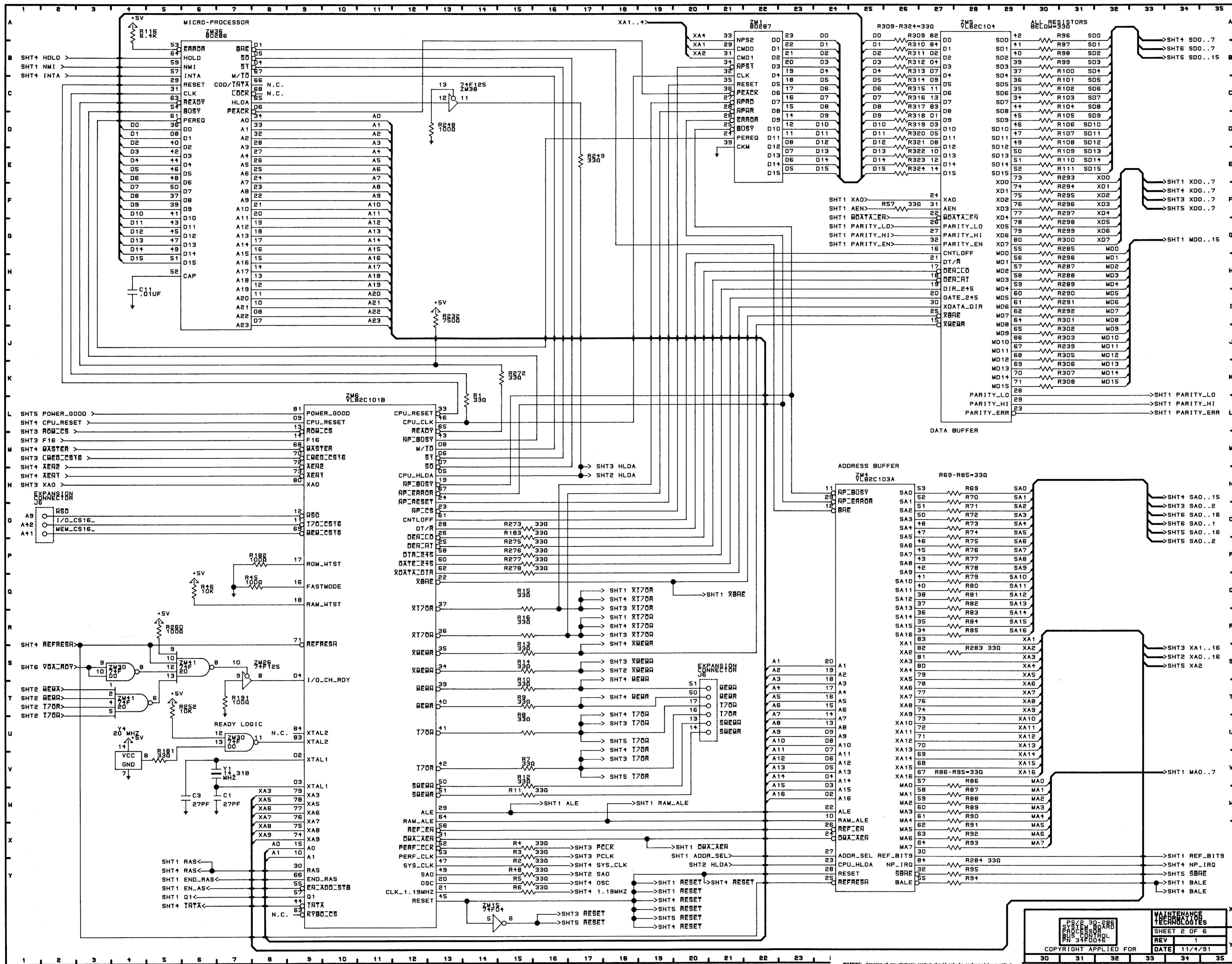


WARNING: Servicing of any electronic product should only be performed by qualified personnel. This drawing and information has been Copyrighted by the company listed. It's content has been sold for the unlimited use to you. The only restrictions are that it not be copied for reproduction or distribution outside your company. No patent liability is assumed with respect to the use of information contained herein. Maintenance Information Technologies believes the information herein to be correct. We are not responsible for any typographical errors. No direct or implied warranty is made to its security. Specifications subject to change without notice.

TRADEMARKS: All logos are registered trademarks of the companies that they represent.

NOTE: Schematic are non returnable.

PS/2 30-286 SYSTEM RAM AND 34P00+6		MAINTENANCE TECHNOLOGIES	
COPYRIGHT APPLIED FOR		SHEET 1 OF 6	
		REV 1	
		DATE 11/1/91	

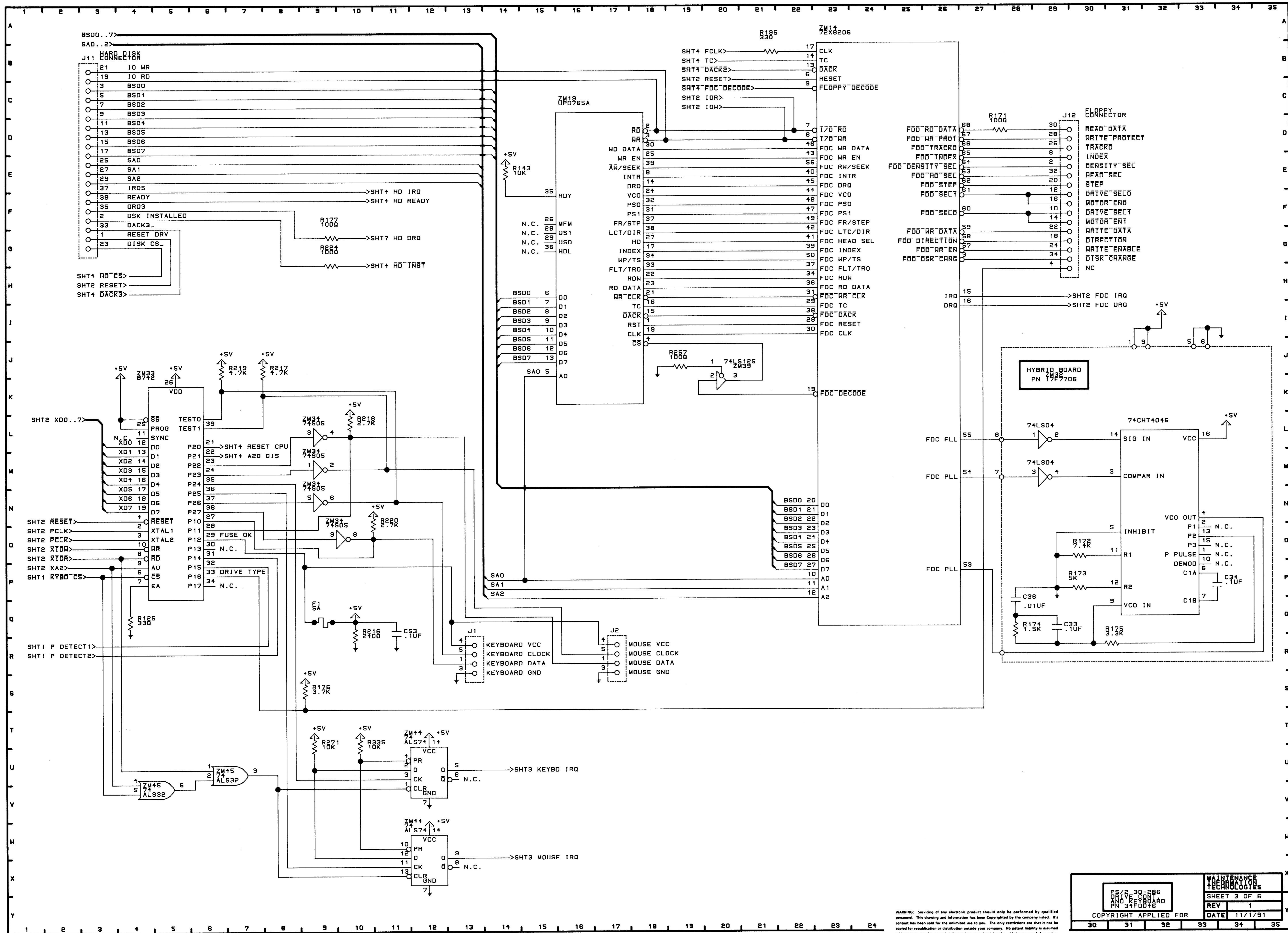


WARNING: Servicing of any electronic product should only be performed by qualified personnel. The drawing and information has been Copyrighted by the company listed. It is content has been sold for the unlimited use to you. The only restrictions are that it not be used for reproduction or distribution outside your company. No patent liability is assumed with respect to the use of information contained herein. Maintenance information Technologies believes the information herein to be correct. We are not responsible for any typographical errors; no direct or implied warranty is made to its accuracy. Specifications subject to change without notice.

TRADEMARKS: All logos are registered trademarks of the companies that they represent.

NOTE: Schematics are non returnable.

PS/2E 30-ERR	MAINTENANCE TECHNOLOGIES
3470048L	
COPYRIGHT APPLIED FOR	SHEET 2 OF 6
	REV 1
	DATE 11/4/91

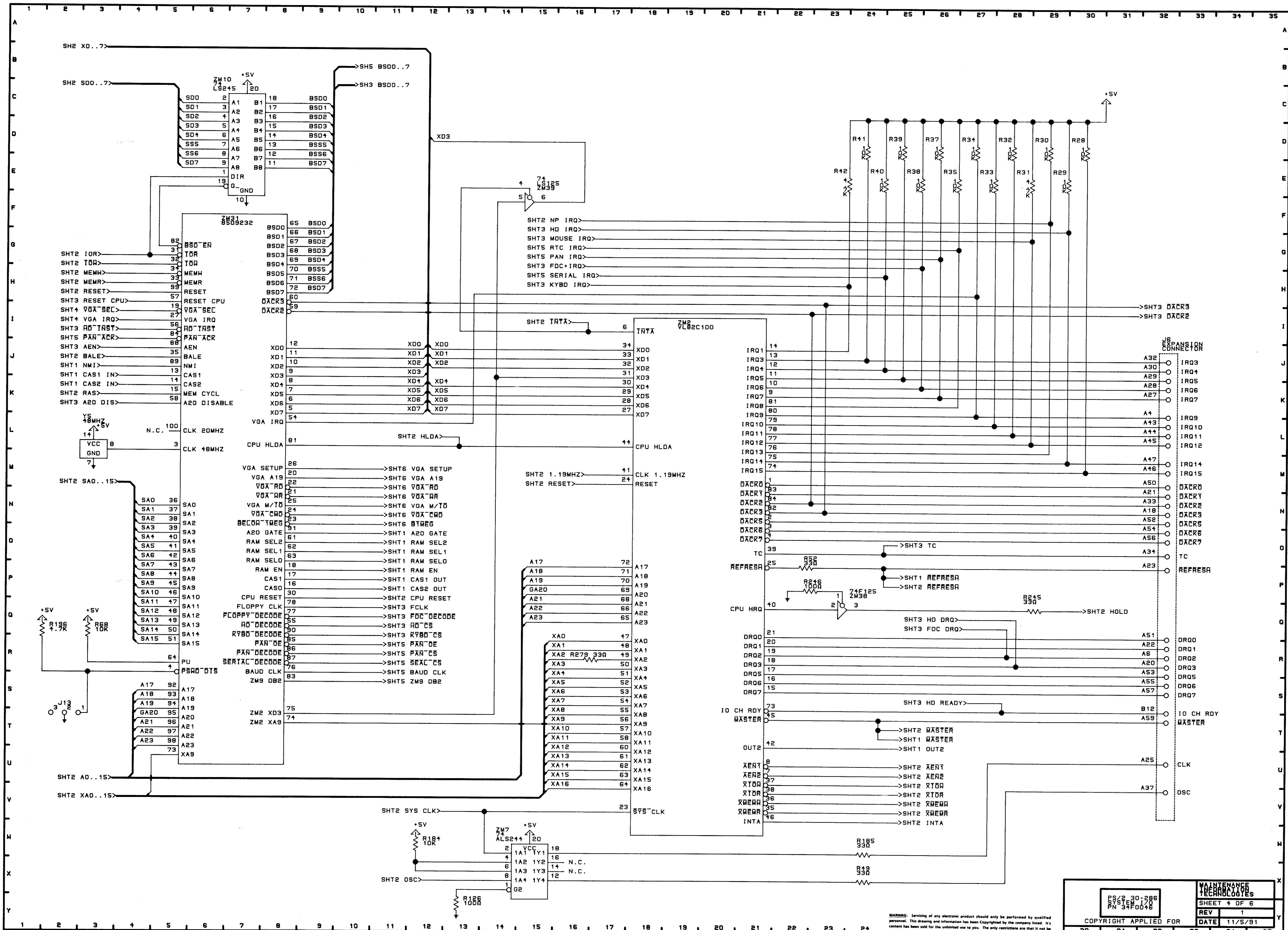


WARNING: Servicing of any electronic product should only be performed by qualified personnel. This drawing and information has been Copyrighted by the company listed. Its content has been sold for the unlimited use to you. The only restrictions are that it not be copied for reproduction or distribution outside your company. No patent liability is assumed with respect to the use of information contained herein. Maintenance Information Technologies believes the information herein to be correct. We are not responsible for any typographical errors, no direct or implied warranty is made to its accuracy. Specifications subject to change without notice.

TRADEMARKS: All logos are registered trademarks of the companies that they represent.

NOTE: Schematics are non-returnable.

PS/2 30-286 DRIVE CONTROL AND KEYBOARD PN 34P0046		MAINTENANCE TECHNOLOGIES	
COPYRIGHT APPLIED FOR		SHEET 3 OF 6	
REV 1		DATE 11/1/91	
30	31	32	33
34	35		

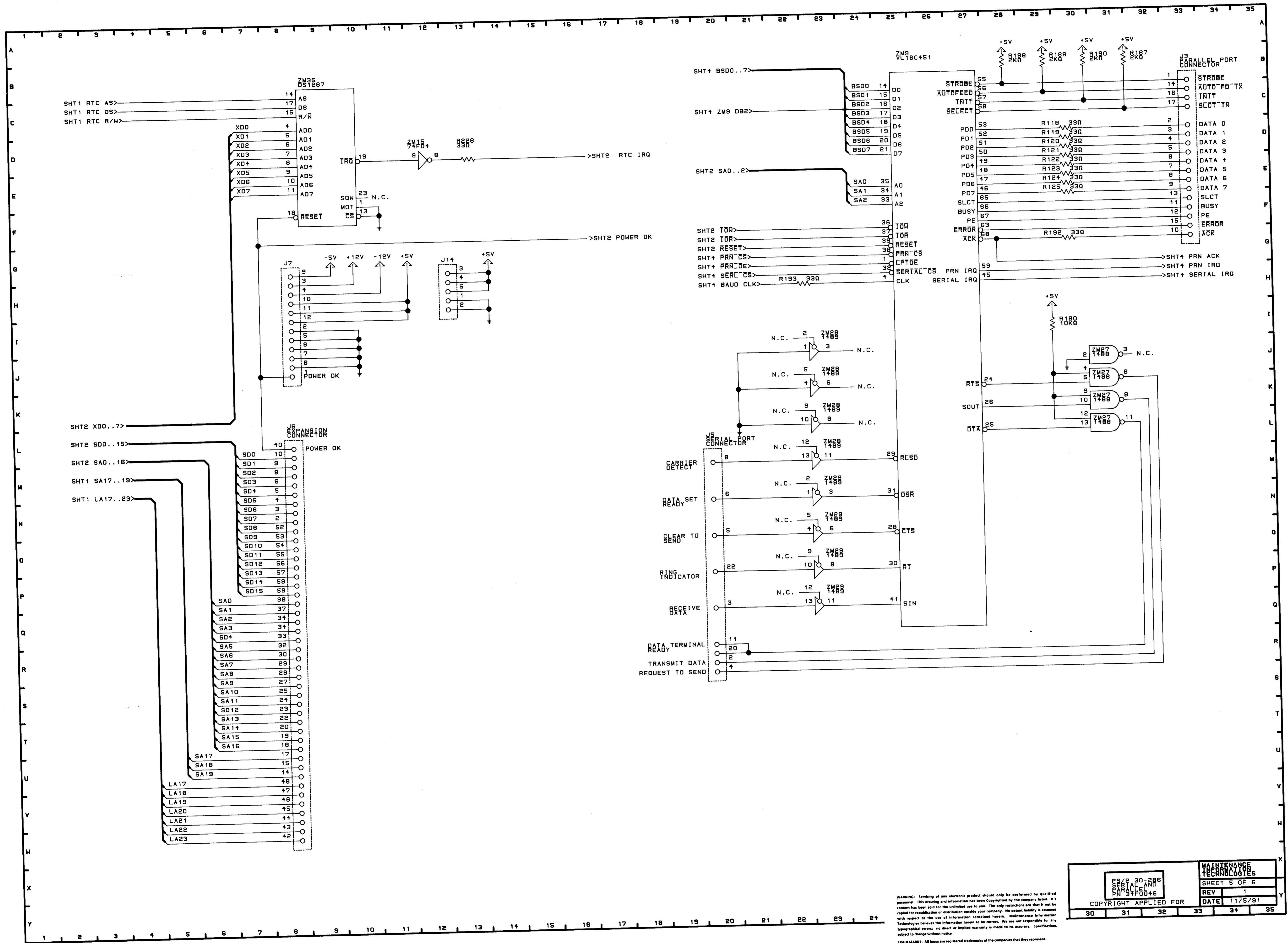


WARNING: Servicing of any electronic product should only be performed by qualified personnel. This drawing and information has been Copyrighted by the company listed. Its content has been sold for the unlimited use to you. The only restriction is that it not be copied for reproduction or distribution outside your company. No patent liability is assumed with respect to the use of information contained herein. Maintenance information Technologies believes the information herein to be correct. We are not responsible for any typographical errors; no direct or implied warranty is made to its accuracy. Specifications subject to change without notice.

TRADEMARKS: All logos are registered trademarks of the companies that they represent.

NOTE: Schematics are non-returnable.

PS 2 30-286				MAINTENANCE			
SYSTEM 170				TECHNOLOGIES			
PN 34F0046				SHEET 4 OF 6			
COPYRIGHT APPLIED FOR				REV 1			
DATE 11/5/91							
30	31	32	33	34	35		

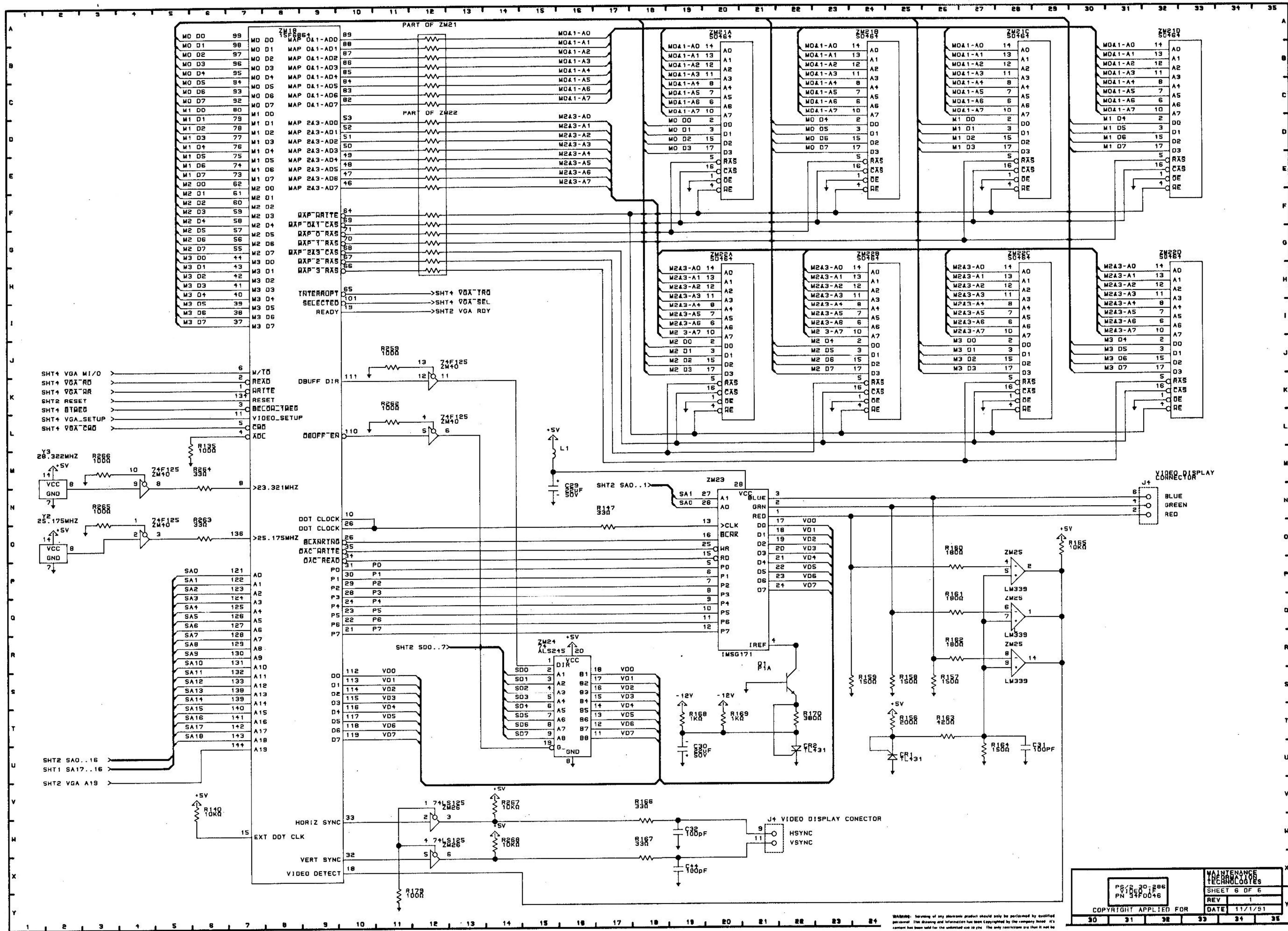


WARNING: Servicing of any electronic product should only be performed by qualified personnel. This drawing and information has been Copyrighted by the company listed. It's content has been sold for the unlimited use to you. The only restrictions are that it not be copied for reproduction or distribution outside your company. No patent liability is assumed with respect to the use of information contained herein. Maintenance Information Technologies believes the information herein to be correct. We are not responsible for any typographical errors, no direct or implied warranty is made to its accuracy. Specifications subject to change without notice.

TRADEMARKS: All logos are registered trademarks of the companies that they represent.

NOTE: Schematics are non returnable.

PS 2 30-286 SERIAL AND PARALLEL PORTS		MAINTENANCE TECHNOLOGIES	
COPYRIGHT APPLIED FOR		SHEET 5 OF 6	
DATE 11/5/91		REV 1	
30	31	32	33



PS/P 30-286  
 V105P0046  
 MAINTENANCE  
 TECHNICIANS  
 SHEET 6 OF 6  
 REV 1  
 DATE 11/1/81  
 COPYRIGHT APPLIED FOR

WARNING: Servicing of any electronic product should only be performed by qualified personnel. The drawing and information here are copyrighted by the company listed. If content has been added for the undated use to this drawing, the only restriction is that it not be copied for reproduction or distribution outside your company. All patent liability is assumed with respect to the use of information contained herein. Maintenance Information Technologies between the information herein is to be correct. We are not responsible for any typographical errors, no claim or implied warranty is made to its accuracy. Specifications subject to change without notice.  
 TRADEMARK: All logos are registered trademarks of the companies that they represent.  
 NOTE: Schematics are not reproducible.