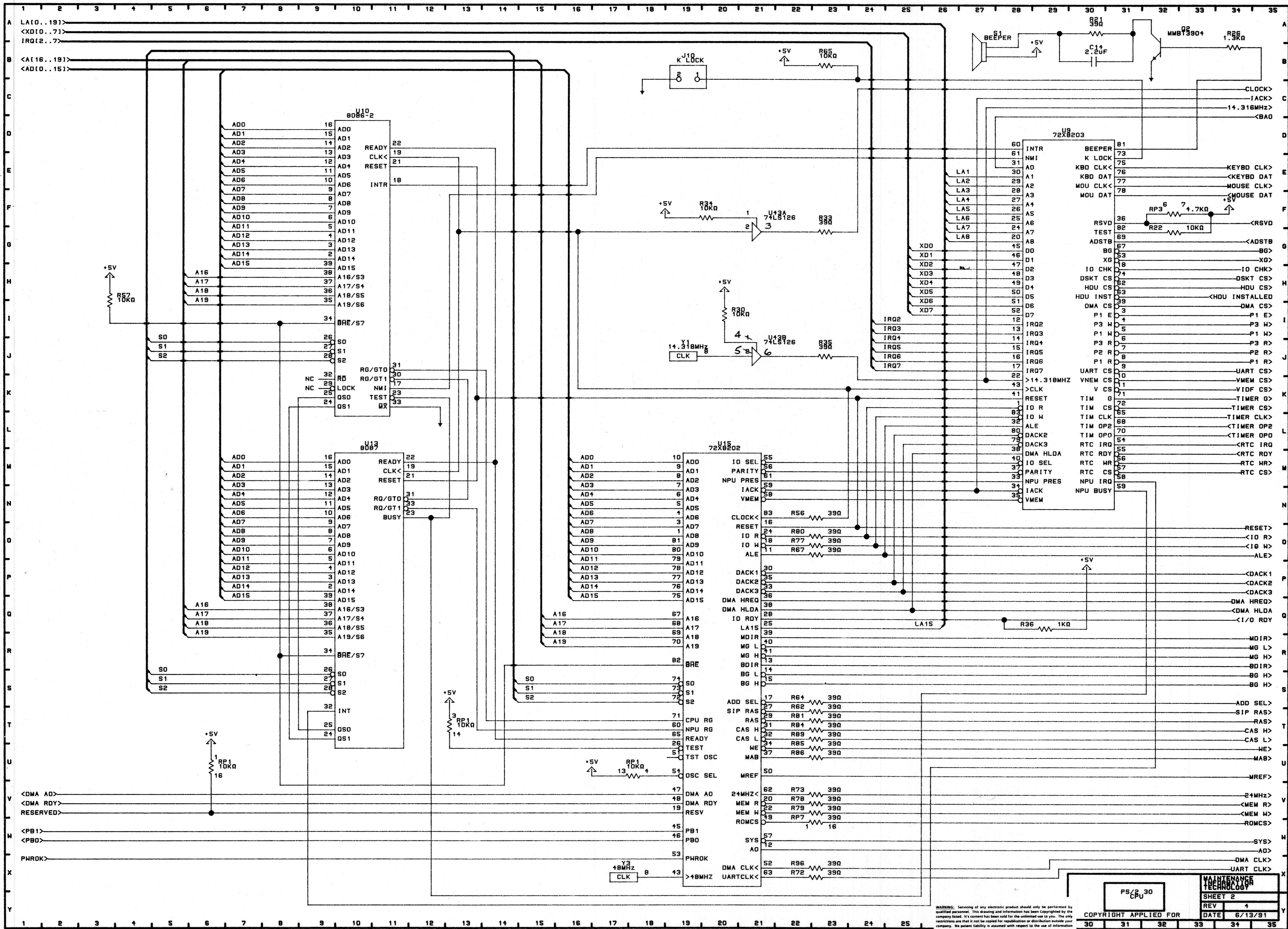


BUSS/2 170
 COPYRIGHT APPLIED FOR
 SHEET 1
 REV 3
 DATE 6/9/91

WARNING: Servicing of any electronic product should only be performed by qualified personnel. This drawing and information has been Copyrighted by the company listed. It's content has been sold for the limited use to you. The only restrictions are that it not be copied for reproduction or distribution outside your company. No patent liability is assumed with respect to the use of information contained herein. Maintenance Information Technologies believes the information herein to be correct. We are not responsible for any typographical errors, no direct or implied warranty is made to its accuracy. Specifications subject to change without notice.
 TRADEMARKS: All logos are registered trademarks of the companies that they represent.
 NOTE: Schematics are non returnable.

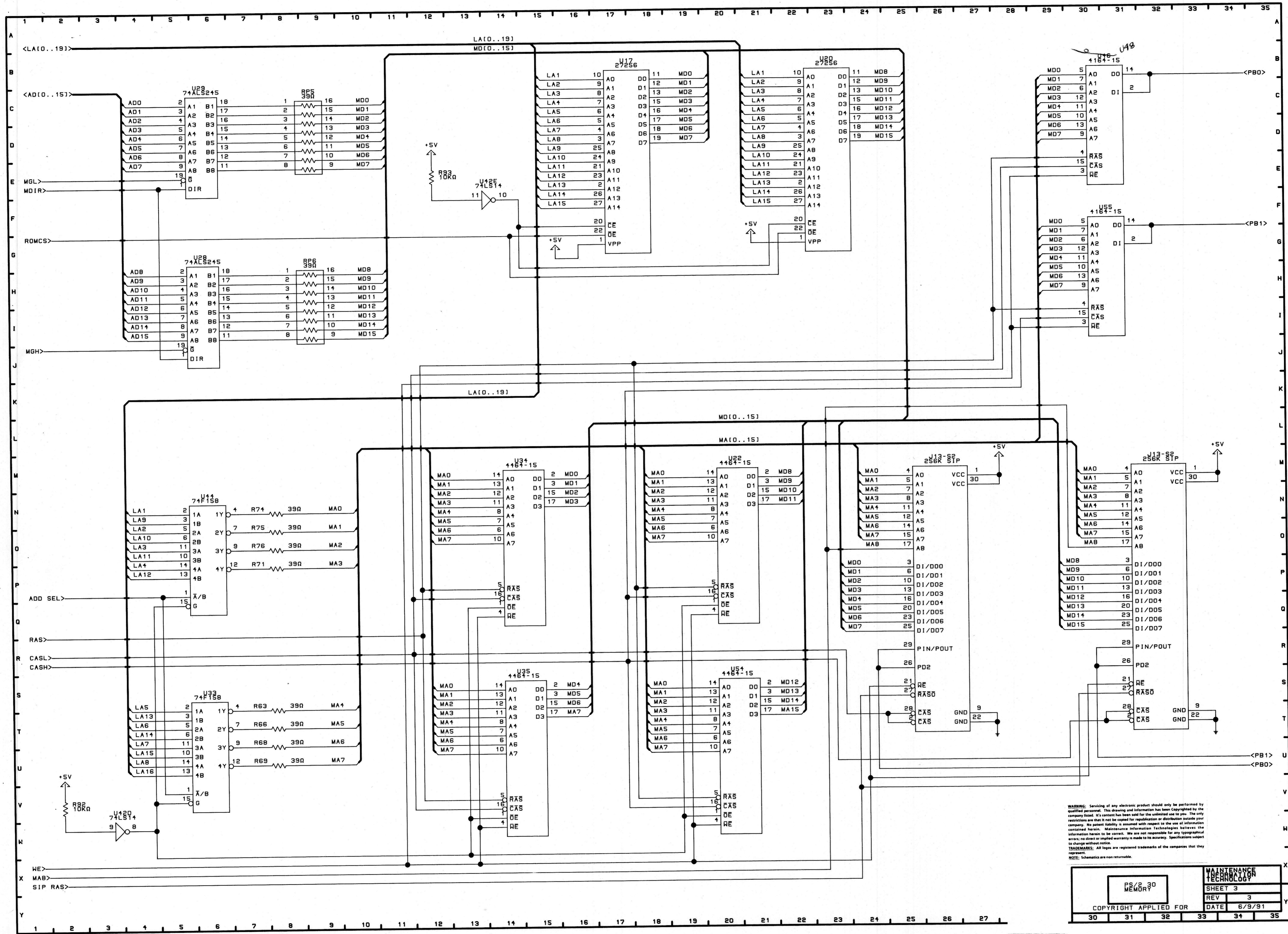


WARNING: Servicing of any electronic product should only be performed by qualified personnel. This drawing and information has been Copyrighted by the company listed. It's content has been sold for the unlimited use to you. The only restrictions are that it is not to be copied for reproduction or distribution outside your company. No patent liability is assumed with respect to the use of information contained herein. Maintenance Information Technologies believes the information herein to be correct. We are not responsible for any typographical errors, no direct or implied warranty is made to its accuracy. Specifications subject to change without notice.

TRADEMARKS: All logos are registered trademarks of the companies that they represent.

NOTE: Schematics are non returnable.

PS/2 CPU 30		MAINTENANCE TECHNOLOGY	
SHEET 2		REV 4	
DATE 6/13/91		DATE 6/13/91	
COPYRIGHT APPLIED FOR		DATE 6/13/91	

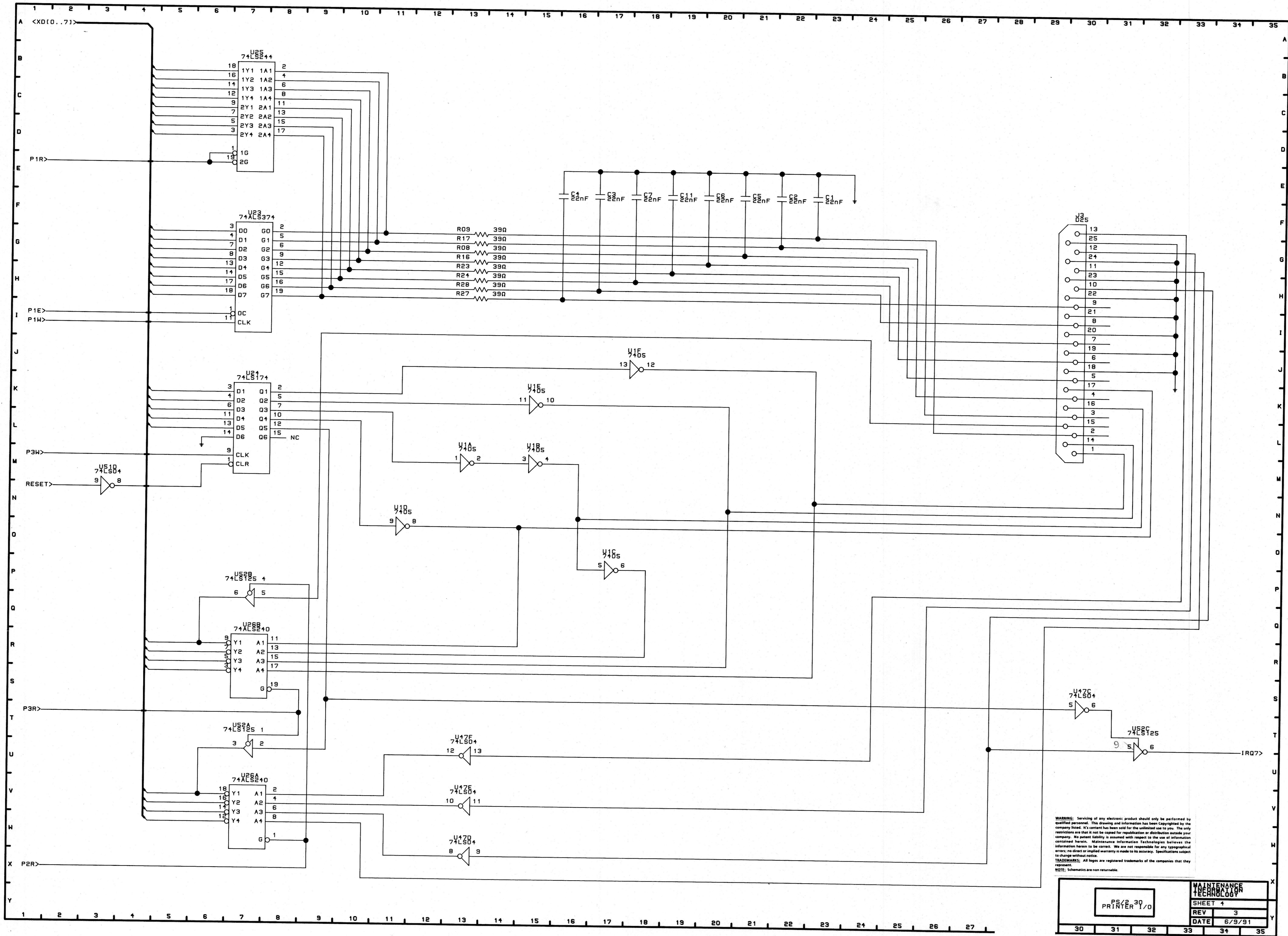


WARNING: Servicing of any electronic product should only be performed by qualified personnel. This drawing and information has been Copyrighted by the company listed. It is intended for the submitted use only. The only restrictions are that it not be copied for reproduction or distribution outside your company. No patent liability is assumed with respect to the use of information contained herein. Maintenance Information Technologies believes the information herein to be correct. We are not responsible for any typographical errors, or direct or implied warranty is made to its accuracy. Specifications subject to change without notice.

TRADEMARKS: All items are registered trademarks of the companies that they represent.

NOTE: Schematics are non-returnable.

PS/2-30 MEMORY		MAINTENANCE TECHNOLOGIES	
COPYRIGHT APPLIED FOR		REV	3
		DATE	6/9/91
30	31	32	33

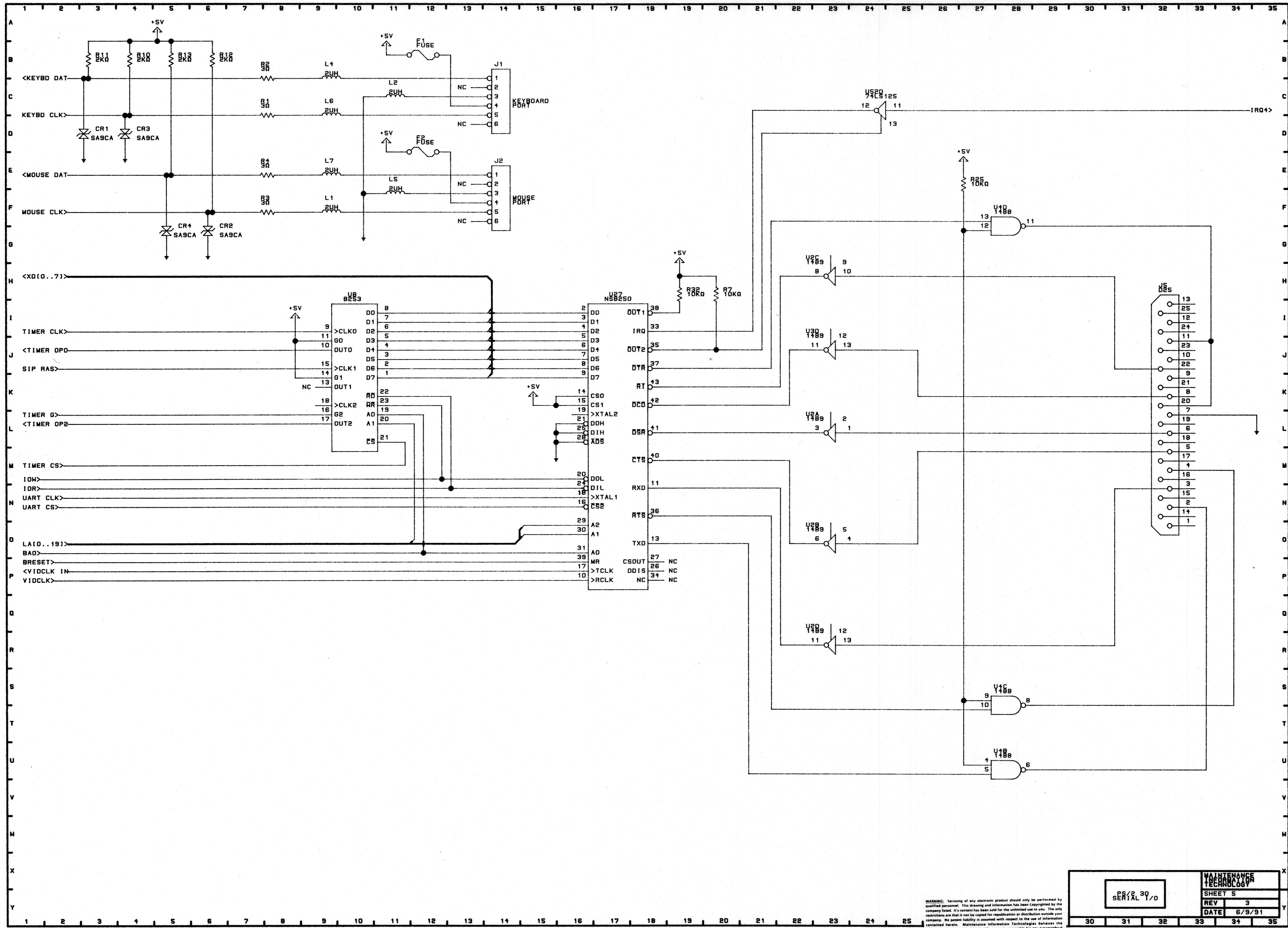


WARNING: Servicing of any electronic product should only be performed by qualified personnel. This drawing and information has been Copyrighted by the company listed. It's content has been sold for the unlimited use to you. The only restrictions are that it not be copied for republication or distribution outside your company. No patent liability is assumed with respect to the use of information contained herein. Maintenance Information Technologies believes the information herein to be correct. We are not responsible for any typographical errors, no direct or implied warranty is made to its accuracy. Specifications subject to change without notice.

TRADEMARKS: All logos are registered trademarks of the companies that they represent.

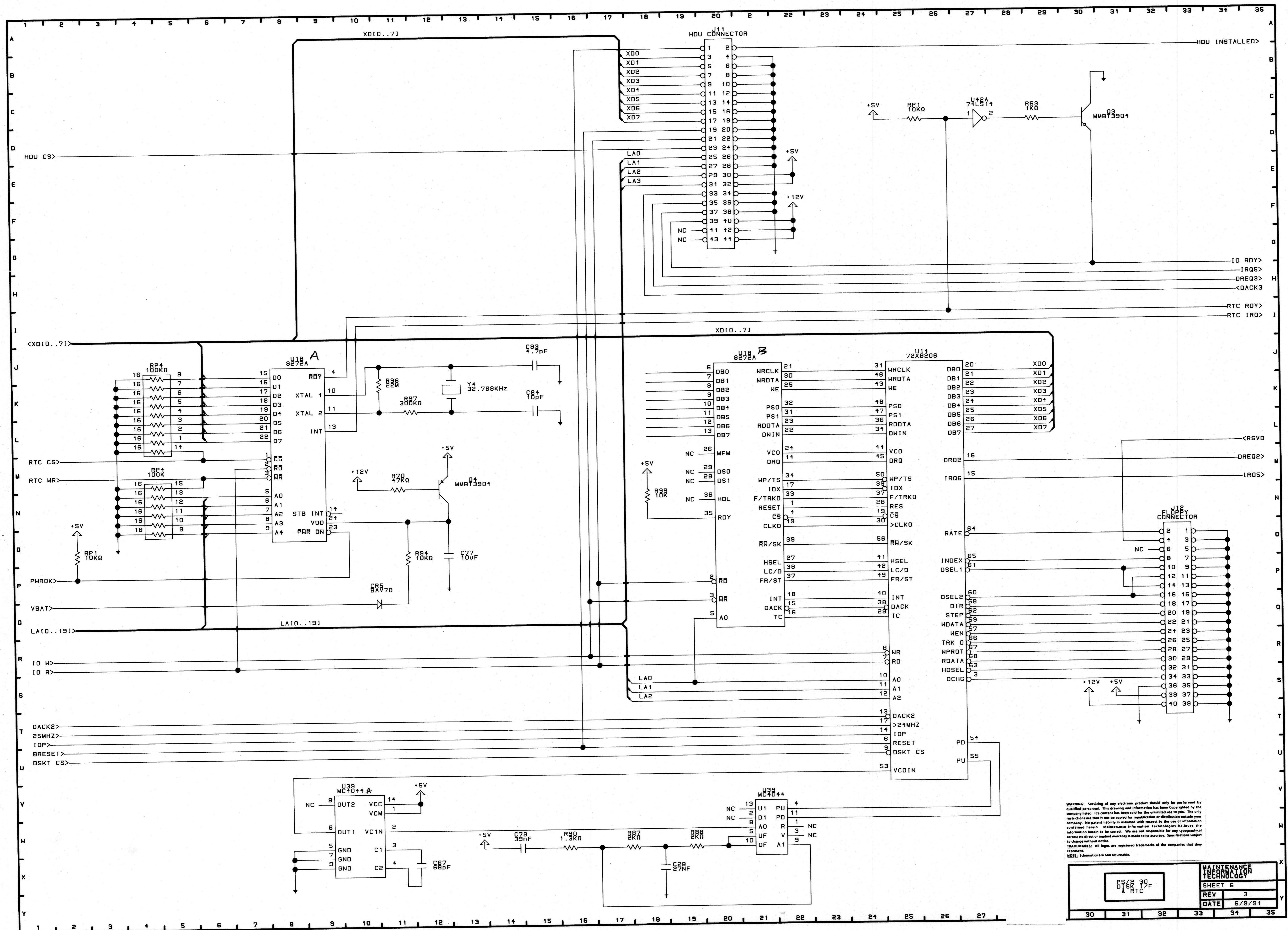
NOTE: Schematics are non returnable.

PS/2 30 PRINTER I/O		MAINTENANCE TECHNOLOGY	
SHEET 1		REV 3	
DATE 6/9/91			



WARNING: Servicing of any electronic product should only be performed by qualified personnel. This drawing and information has been Copyrighted by the company listed. It is intended to be used for the unlimited use to you. The only restrictions are that it not be copied for reproduction or distribution outside your company. No patent liability is assumed with respect to the use of information contained herein. Maintenance Information Technologies believes the information herein to be correct. We are not responsible for any misapplication to change without notice. TRADEMARKS: All logos are registered trademarks of the companies that they represent. NOTE: Schematics are non-returnable.

CS/E 39/0		SERIAL 1/0		MAINTENANCE TECHNOLOGY	
SHEET 5		REV 3		DATE 6/9/91	
30	31	32	33	34	35

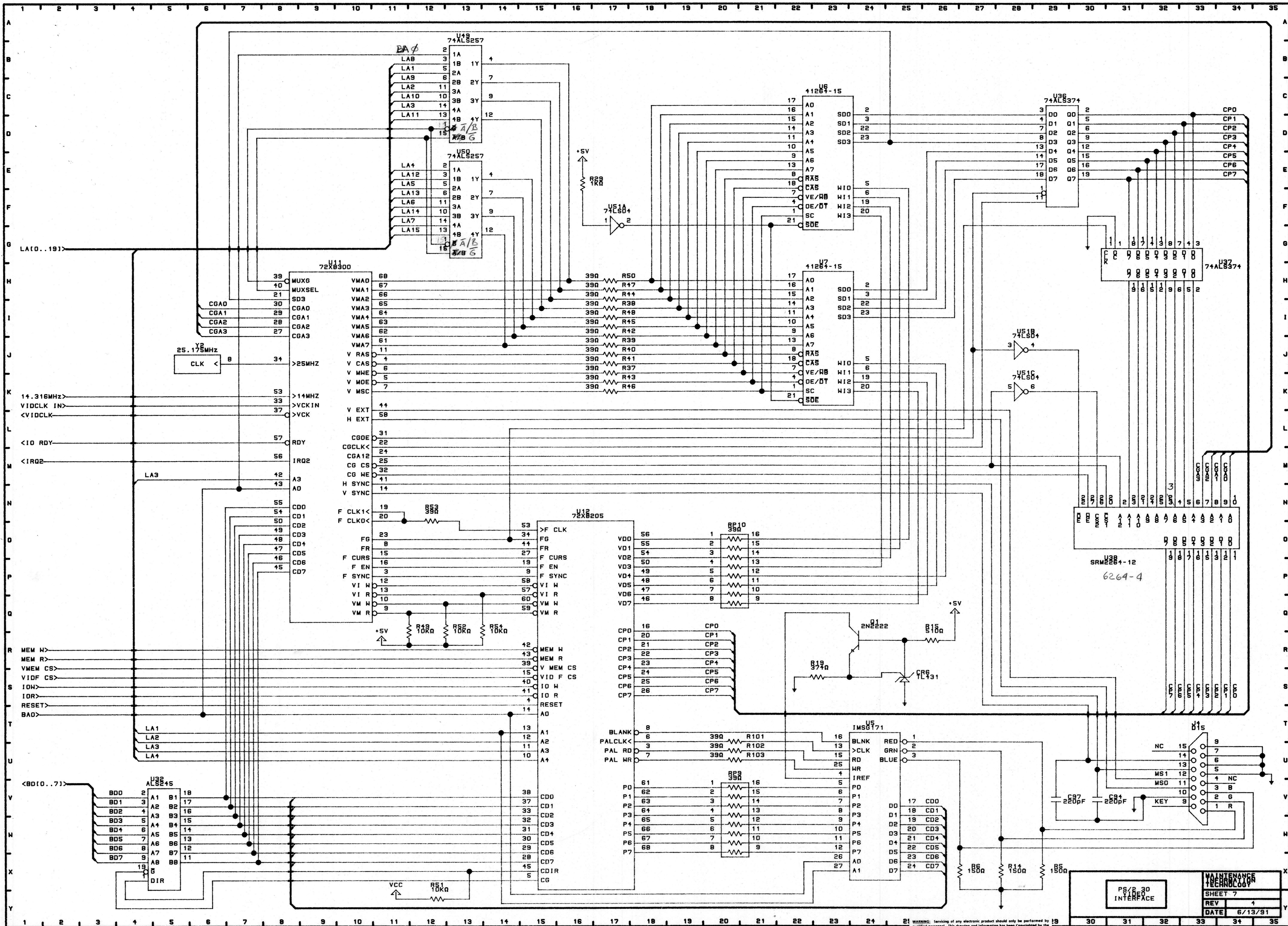


WARNING: Servicing of any electronic product should only be performed by qualified personnel. This drawing and information has been Copyrighted by the company listed. It's content has been sold for the unlimited use by you. The only restrictions are that it not be copied for republication or distribution outside your company. No patent liability is assumed with respect to the use of information contained herein. Maintenance Information Technologies Inc. reserves the information herein to be correct. We are not responsible for any typographical errors, no direct or implied warranty is made to its accuracy. Specifications subject to change without notice.

TRADEMARKS: All logos are registered trademarks of the companies that they represent.

NOTE: Schematics are non returnable.

PS/2 30 DISK & RTC		MAINTENANCE TECHNOLOGY	
SHEET 6		REV 3	
DATE 6/9/91			



WARNING: Servicing of any electronic product should only be performed by qualified personnel. This drawing and information has been Copyrighted by the company listed. It is consent has been sold for the authorized use only. The only restrictions are that it not be copied for republication or distribution outside your company. No patent liability is assumed with respect to the use of information contained herein. Maintenance Information Technologies believes the information herein to be correct. We are not responsible for any typographical errors; no direct or implied warranty is made to its accuracy. Specifications subject to change without notice.

TRADEMARKS: All logos are registered trademarks of the companies that they represent.

NOTE: Schematics are non-negotiable.

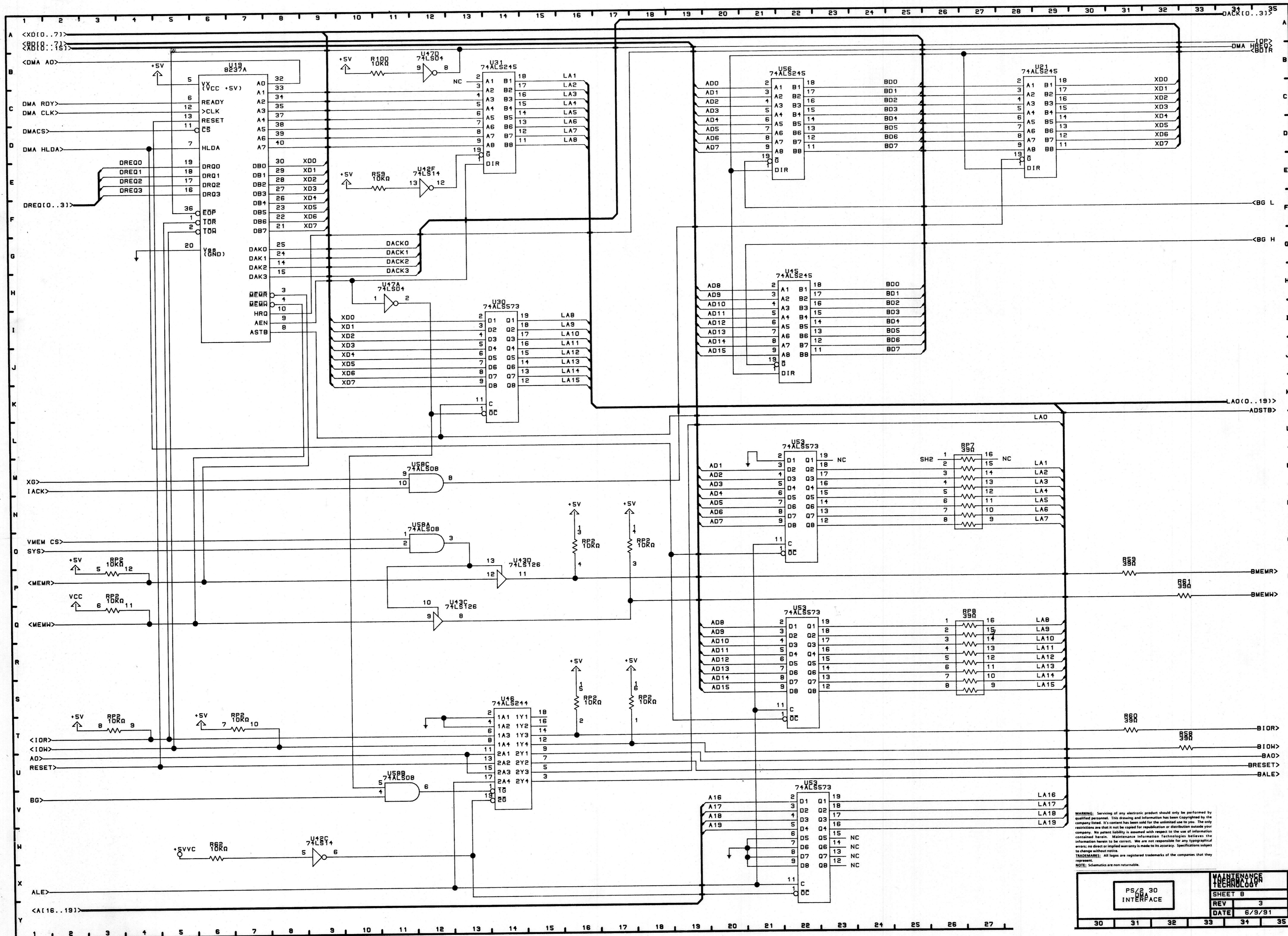
PS/2 30
INTERFACE

MAINTENANCE
TECHNOLOGY

SHEET 7

REV 1

DATE 6/13/91



WARNING: Servicing of any electronic product should only be performed by qualified personnel. This drawing and information has been Copyrighted by the company listed. It's content has been sold for the unlimited use to you. The only restrictions are that it not be copied for reproduction or distribution outside your company. The patent liability is assumed with respect to the use of information contained herein. Maintenance Information Technologies believes the information herein to be correct. We are not responsible for any typographical errors, no direct or implied warranty is made to its accuracy. Specifications subject to change without notice. TRADEMARKS: All logos are registered trademarks of the companies that they represent. NOTE: Schematics are non-returnable.

PS/2 30 INTERFACE		MAINTENANCE TECHNOLOGY	
SHEET 8		REV 3	
DATE 6/9/91			