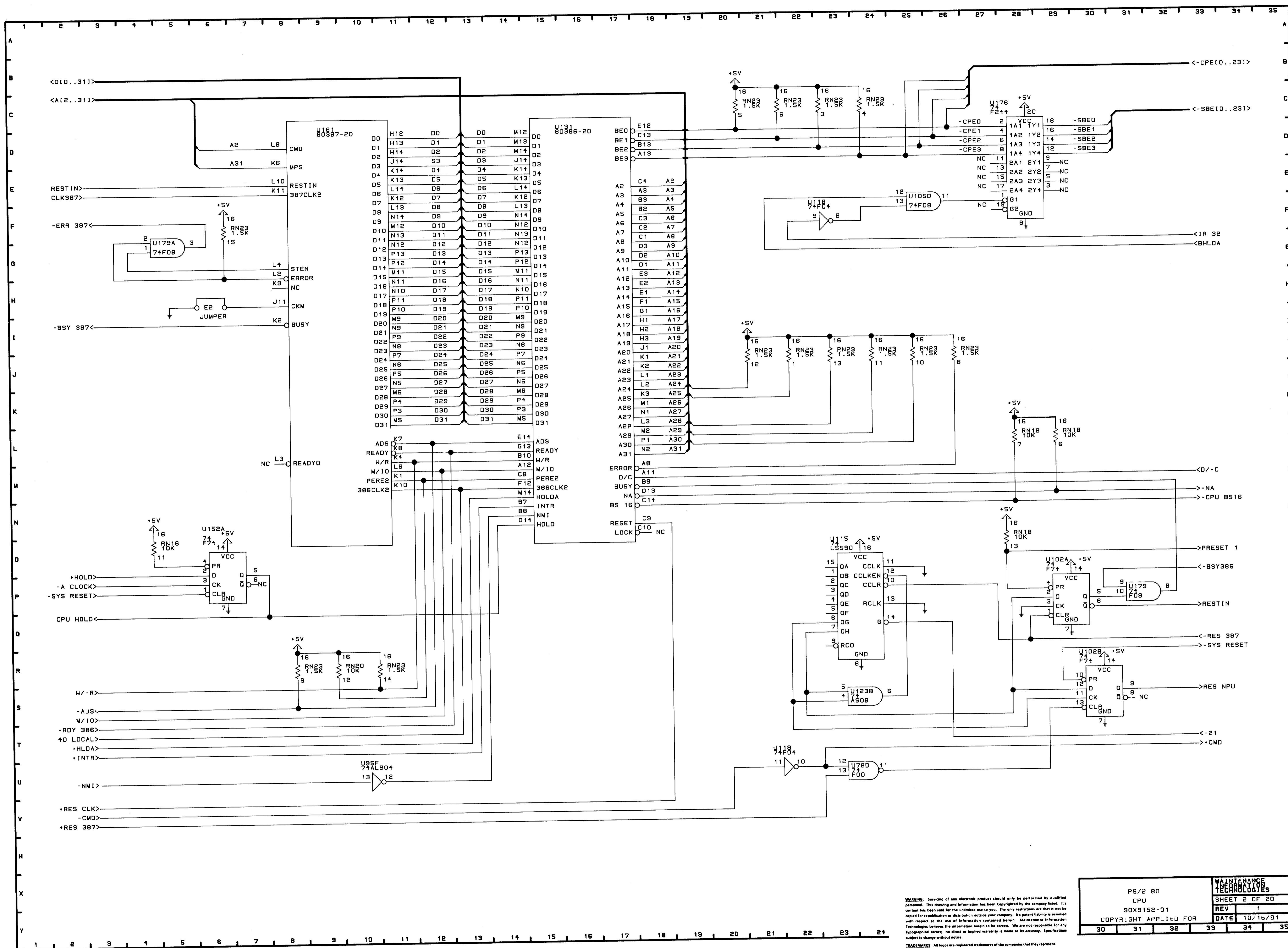


WARNING: Servicing of any electronic product should only be performed by qualified personnel. This drawing and information has been Copyrighted by the company listed. It is not to be copied for reproduction or distribution outside your company. No patent liability is assumed with respect to the use of information contained herein. Maintenance information is provided for the user's reference only. We are not responsible for any typographical errors, no direct or implied warranty is made to its accuracy. Specifications subject to change without notice.

TRADEMARKS: All logos are registered trademarks of the companies that they represent.

NOTE: Schematics are not reproducible.

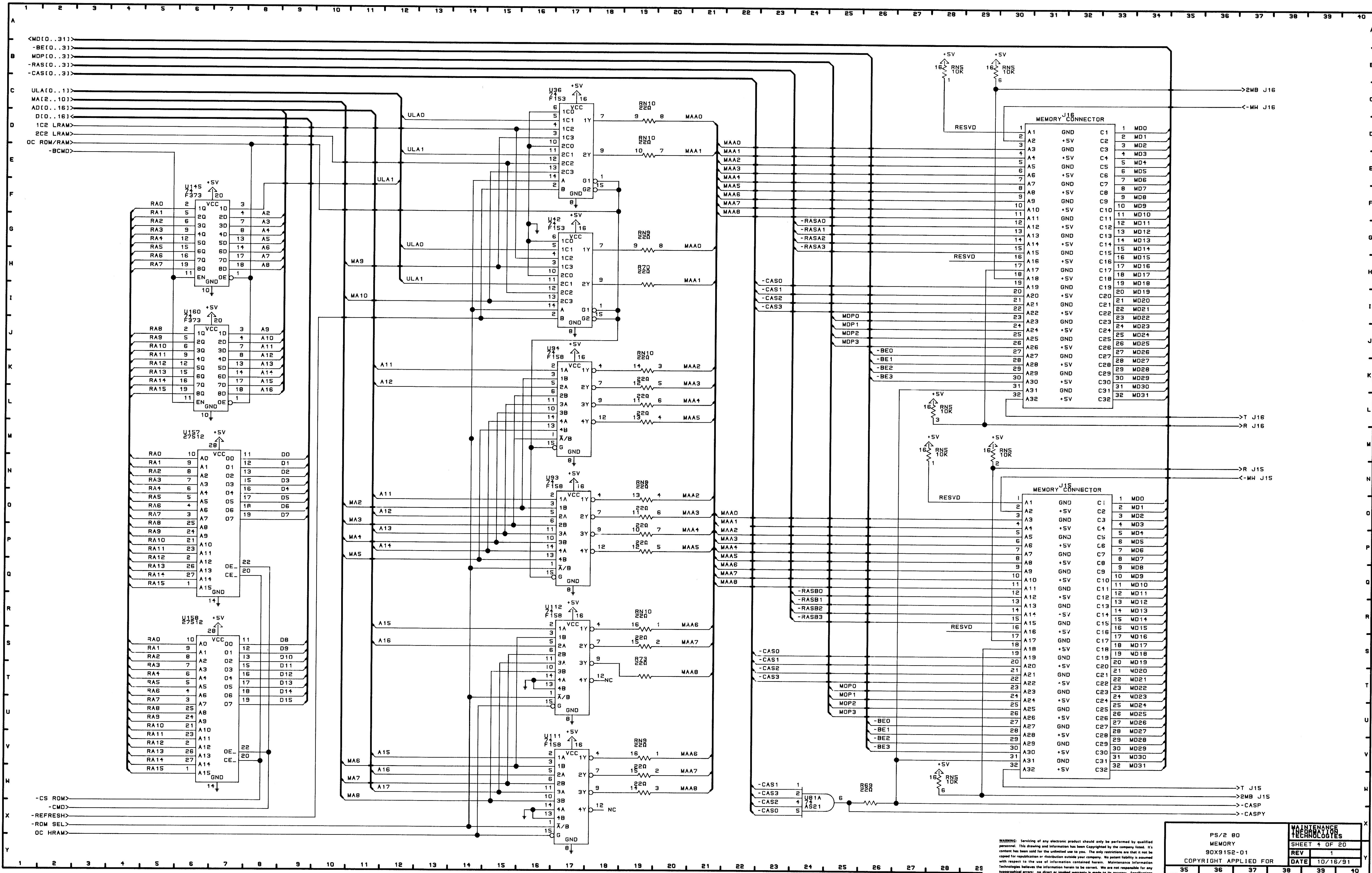


WARNING: Servicing of any electronic product should only be performed by qualified personnel. This drawing and information has been Copyrighted by the company listed. No content has been used for the unlicensed use to you. The only restrictions are that it not be copied for republication or distribution outside your company. No patent liability is assumed with respect to the use of information contained herein. Maintenance information Technologies before the information herein to be correct. We are not responsible for any typographical errors; no direct or implied warranty is made to its accuracy. Specifications subject to change without notice.

TRADEMARKS: All logos are registered trademarks of the companies that they represent.

NOTE: Schematics are non-returnable.

| | | | |
|-----------------------|----|---------------|----|
| PS/2 80 | | MAINTENANCE | |
| CPU | | TECHNOLOGIES | |
| 90X9152-01 | | SHEET 2 OF 20 | |
| COPYRIGHT APPLIED FOR | | REV 1 | |
| | | DATE 10/16/91 | |
| 30 | 31 | 32 | 33 |
| 34 | 35 | | |

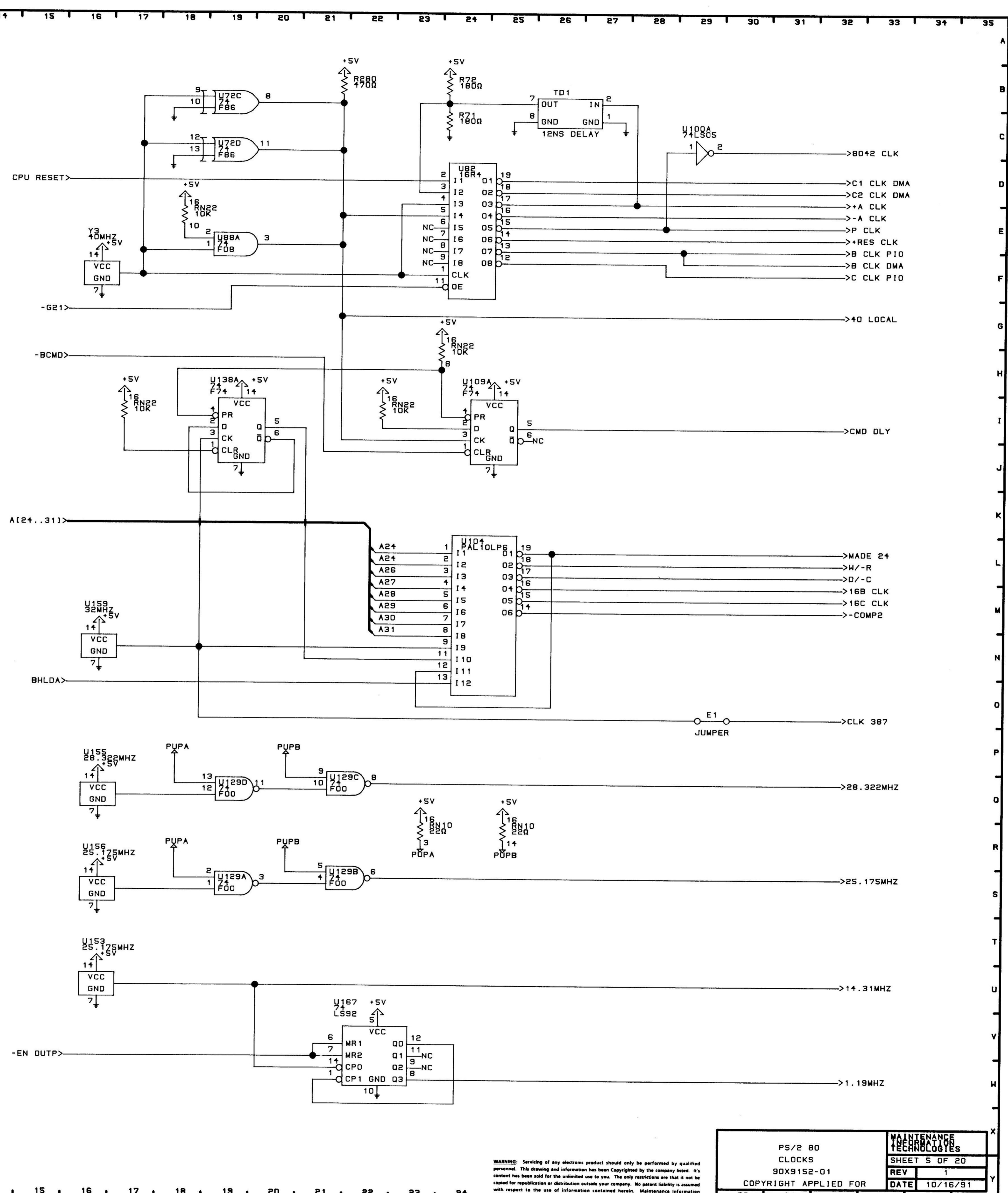
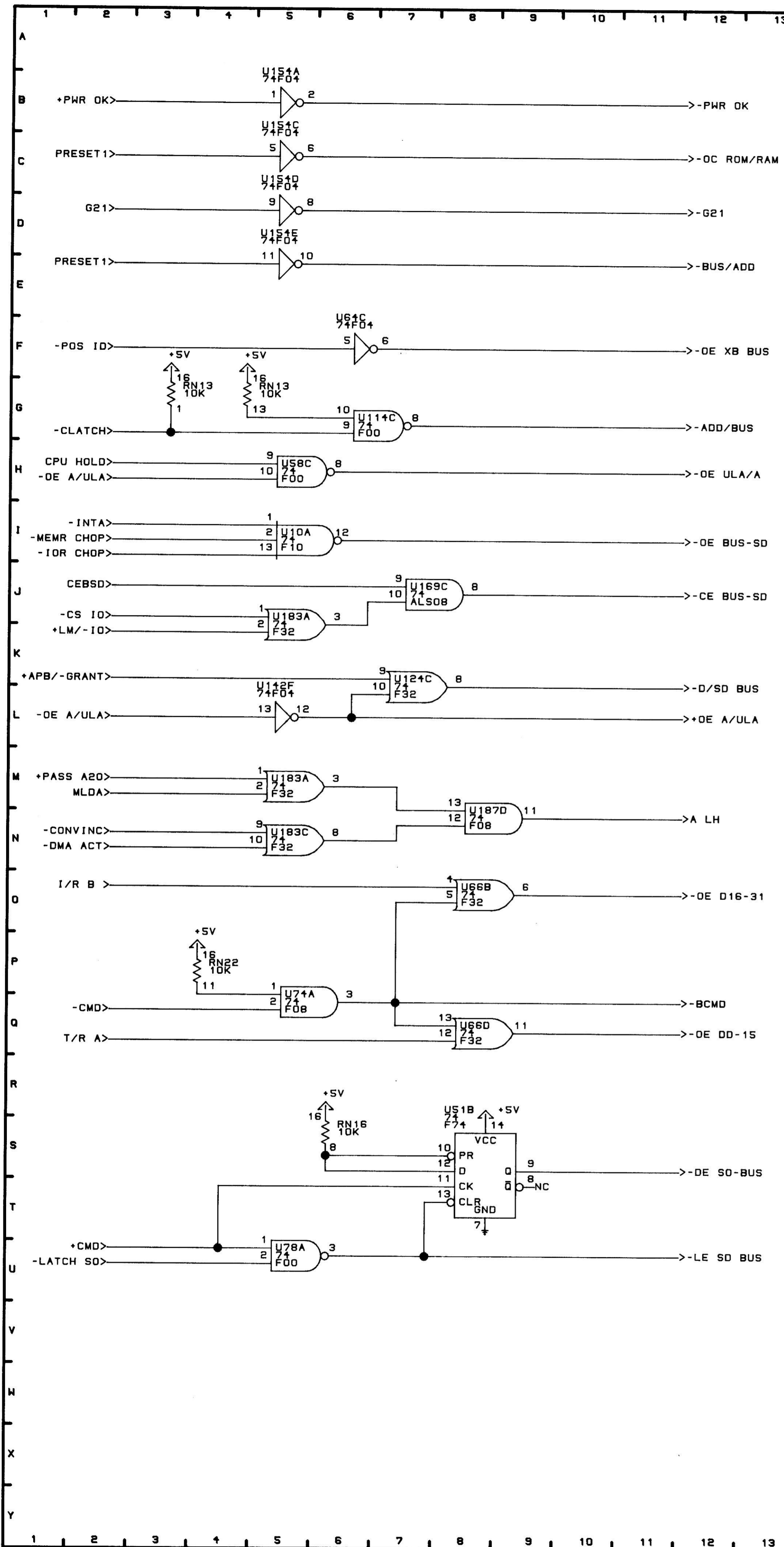


WARNING: Servicing of any electronic product should only be performed by qualified personnel. This drawing and information has been Copyrighted by the company listed. It's content has been sold for the unlimited use to you. The only restriction is that it not be copied for reproduction or distribution outside your company. No patent liability is assumed with respect to the use of information contained herein. Maintenance information technologies believe the information herein to be correct. We are not responsible for any typographical errors; no direct or implied warranty is made to its accuracy. Specifications subject to change without notice.

TRADEMARKS: All logos are registered trademarks of the companies that they represent.

NOTE: Schematics are non-returnable.

| | | | | | |
|-----------------------|--|---------------|--|---------------|--|
| PS/2 80 | | MEMORY | | 90X9152-01 | |
| COPYRIGHT APPLIED FOR | | DATE 10/16/91 | | SHEET 1 OF 20 | |
| REV 1 | | DATE 10/16/91 | | REV 1 | |

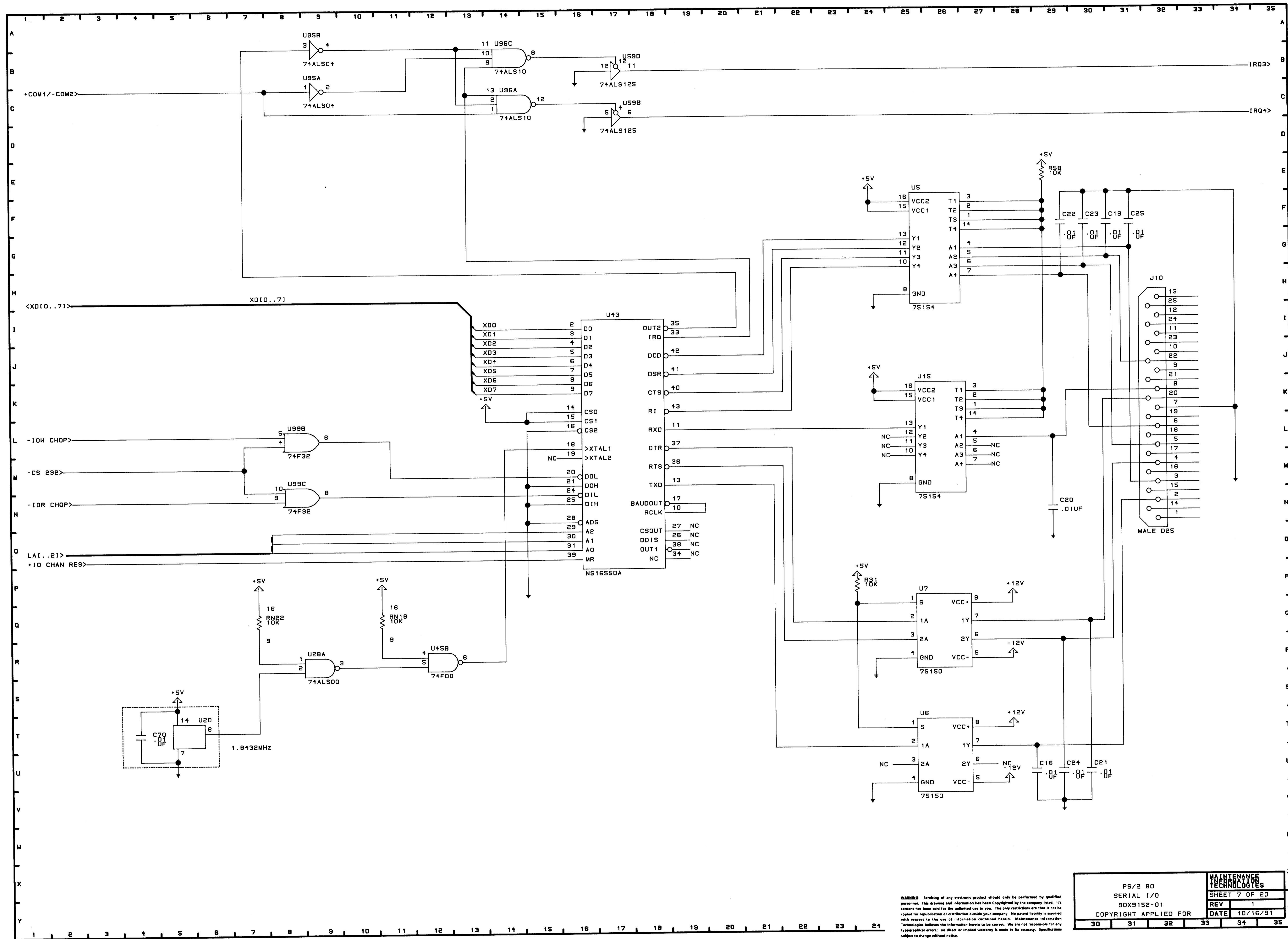


WARNING: Servicing of any electronic product should only be performed by qualified personnel. This drawing and information has been Copyrighted by the company listed. It is constant has been sold for the unlimited use to you. The only restriction is that it not be copied for reproduction or distribution outside your company. No patent liability is assumed with respect to the use of information contained herein. Maintenance information: Technological believes the information herein to be correct. We are not responsible for any typographical errors, no direct or implied warranty is made to its accuracy. Specifications subject to change without notice.

TRADEMARKS: All logos are registered trademarks of the companies that they represent.

NOTE: Schematics are non returnable.

| | | | |
|-----------------------|----|---------------|----|
| PS/2 80 | | MAINTENANCE | |
| CLOCKS | | TECHNOLOGIES | |
| 90X9152-01 | | SHEET 5 OF 20 | |
| COPYRIGHT APPLIED FOR | | REV 1 | |
| DATE 10/16/91 | | | |
| 30 | 31 | 32 | 33 |

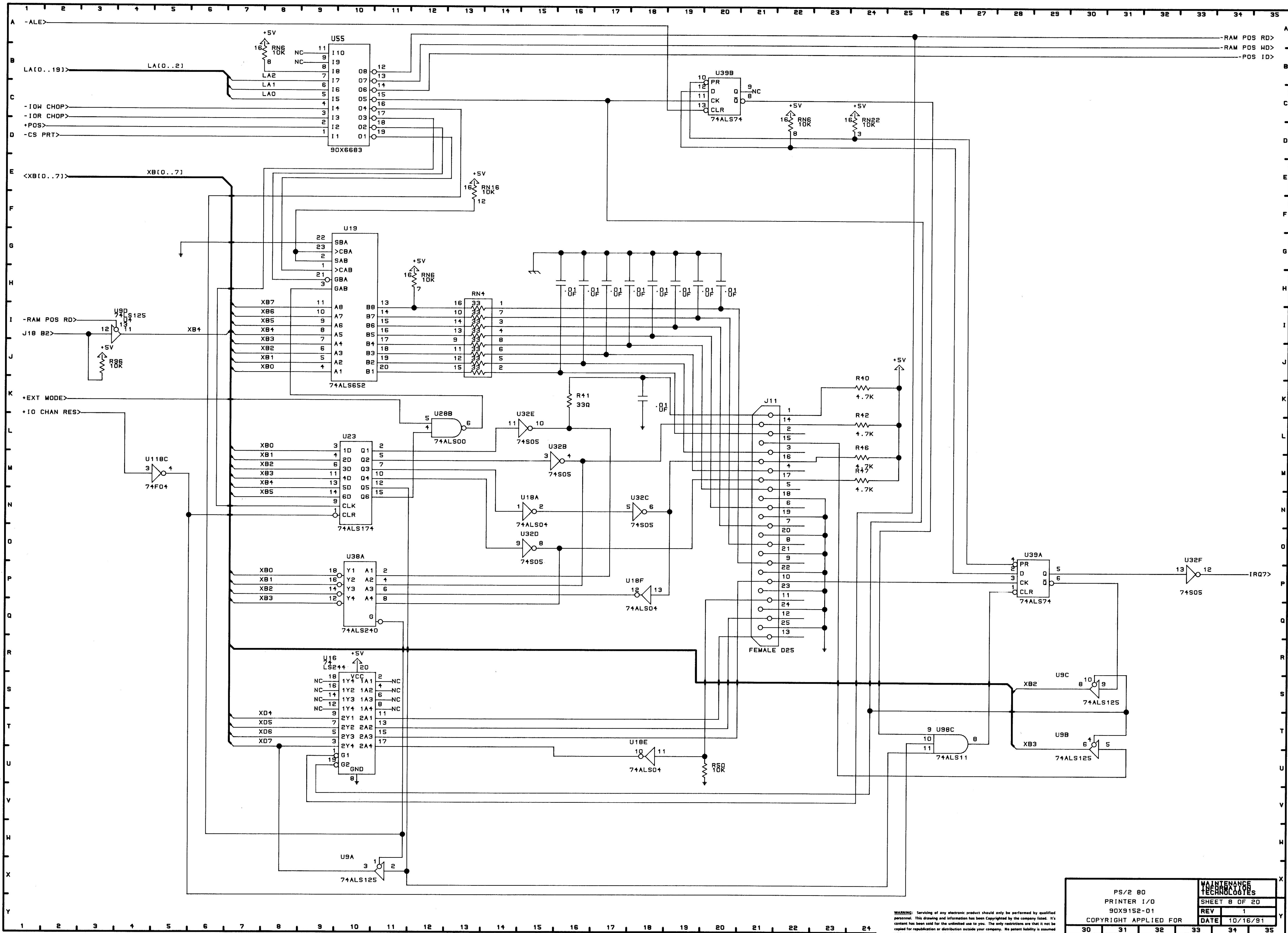


WARNING: Servicing of any electronic product should only be performed by qualified personnel. This drawing and information has been Copyrighted by the company listed. It's content has been sold for the unlimited use to you. The only restriction is that it not be copied for republication or distribution outside your company. No patent liability is assumed with respect to the use of information contained herein. Maintenance Information Technologies believes the information herein to be correct. We are not responsible for any typographical errors; no direct or implied warranty is made to its accuracy. Specifications subject to change without notice.

TRADEMARKS: All logos are registered trademarks of the companies that they represent.

NOTE: Schematics are non-returnable.

| | | | |
|-----------------------|----|--------------------------------------|----|
| PS/2 80 | | MAINTENANCE INFORMATION TECHNOLOGIES | |
| SERIAL I/O | | SHEET 7 OF 20 | |
| 90X9152-01 | | REV 1 | |
| COPYRIGHT APPLIED FOR | | DATE 10/16/91 | |
| 30 | 31 | 32 | 33 |
| 34 | 35 | | |

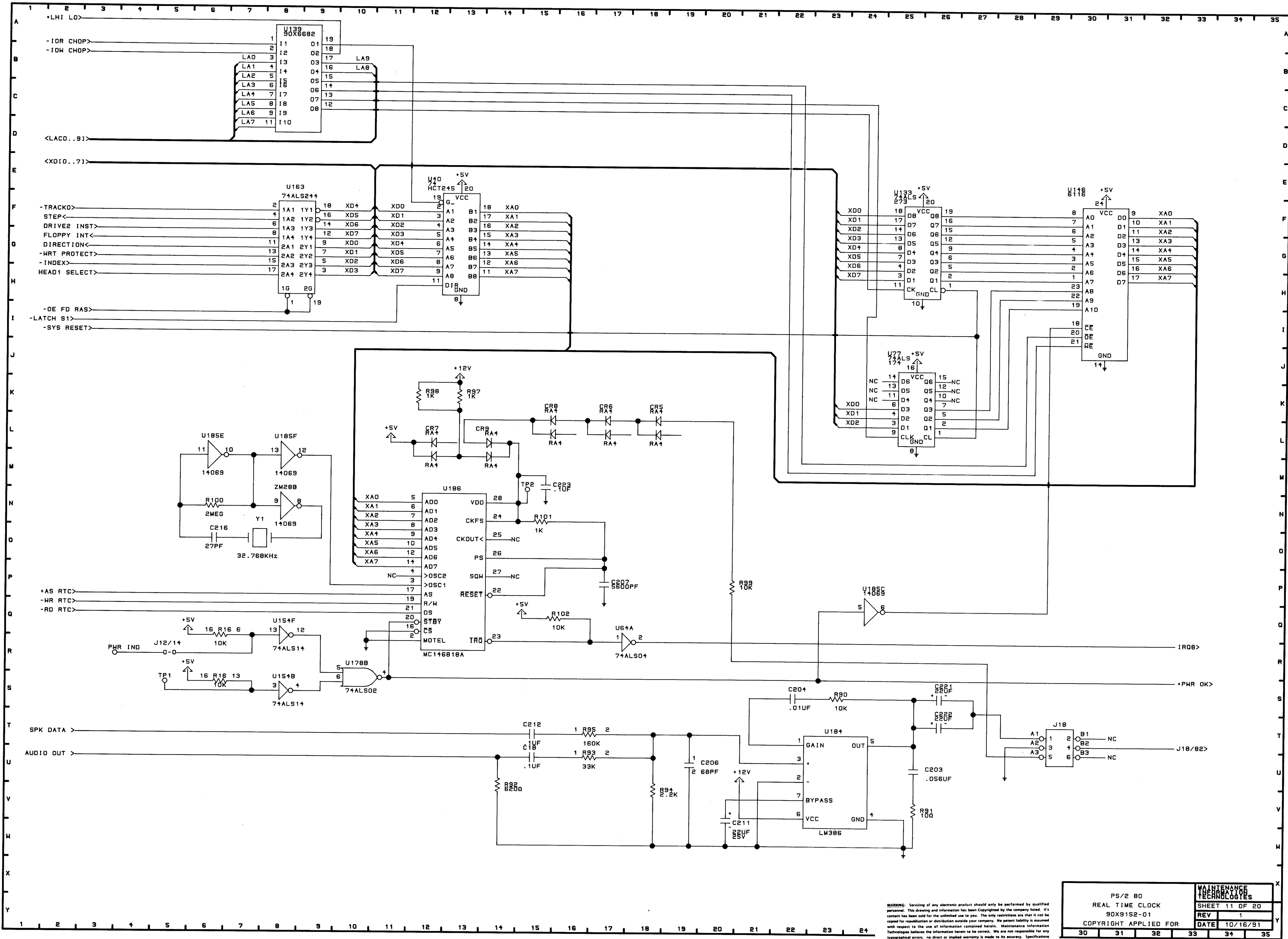


WARNING: Servicing of any electronic product should only be performed by qualified personnel. This drawing and information has been Copyrighted by the company listed. It's content has been sold for the unlimited use to you. The only restrictions are that it not be copied for reproduction or distribution outside your company. No patent liability is assumed with respect to the use of information contained herein. Maintenance Information Technologies believes the information herein to be correct. We are not responsible for any typographical errors; no direct or implied warranty is made to its accuracy. Specifications subject to change without notice.

TRADEMARKS: All logos are registered trademarks of the companies that they represent.

NOTE: Schematics are non returnable.

| | | | |
|---|----|--|----|
| PS/2 80 PRINTER I/O 90X9152-01 COPYRIGHT APPLIED FOR | | MAINTENANCE TECHNOLOGIES SHEET 8 OF 20 REV 1 DATE 10/16/91 | |
| 30 | 31 | 32 | 33 |

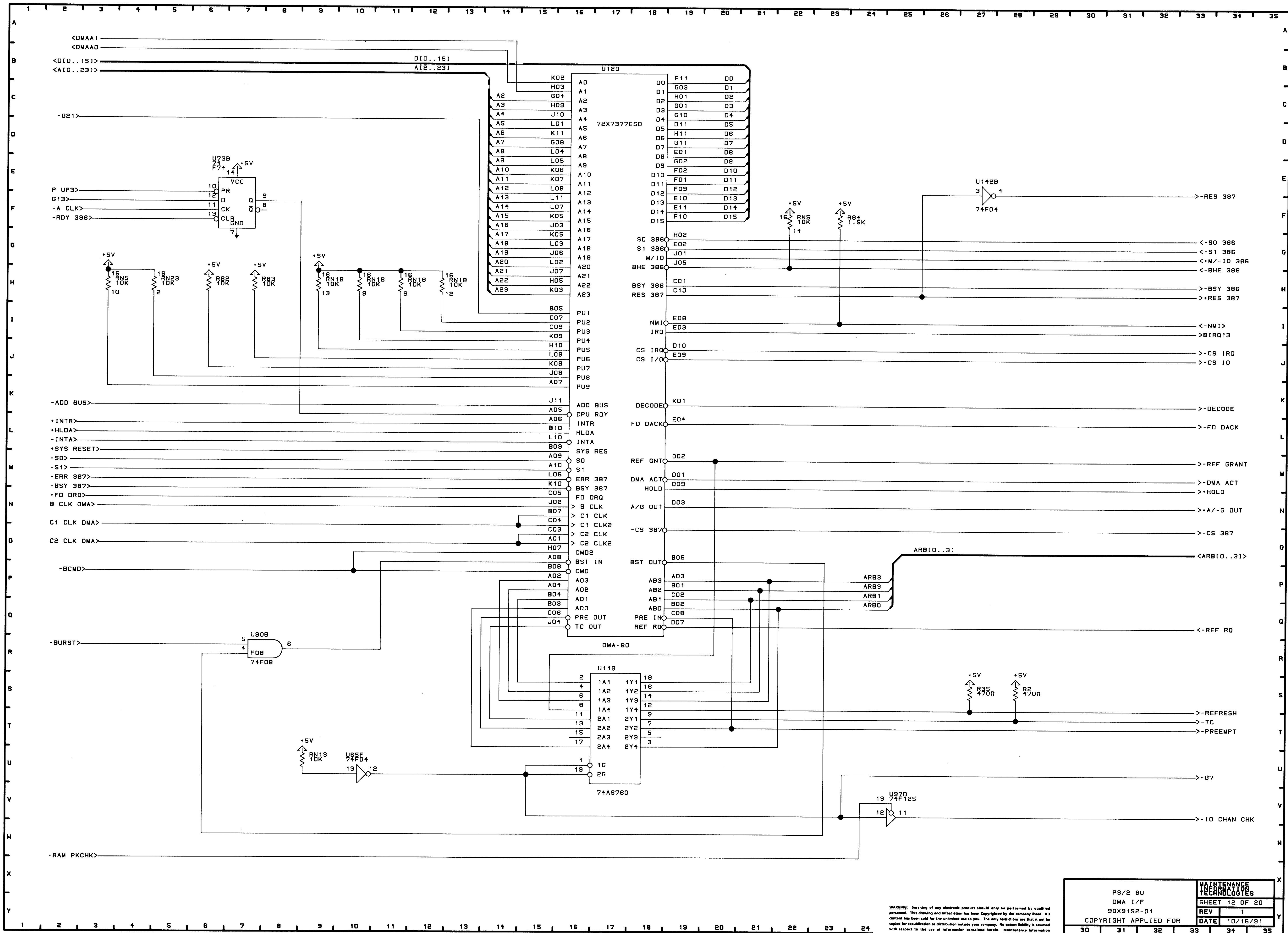


WARNING: Servicing of any electronic product should only be performed by qualified personnel. This drawing and information has been Copyrighted by the company listed. It's content has been sold for the unlimited use to you. The only restrictions are that it not be copied for reproduction or distribution outside your company. No patent liability is assumed with respect to the use of information contained herein. Maintenance Information Technologies believes the information herein to be correct. We are not responsible for any typographical errors, no direct or implied warranty is made to its accuracy. Specifications subject to change without notice.

TRADEMARKS: All logos are registered trademarks of the companies that they represent.

NOTE: Schematics are non returnable.

| | | | |
|-----------------------|----|--------------------------|----|
| PS/2 80 | | MAINTENANCE TECHNOLOGIES | |
| REAL TIME CLOCK | | SHEET 11 OF 20 | |
| 90X9152-01 | | REV 1 | |
| COPYRIGHT APPLIED FOR | | DATE 10/16/91 | |
| 30 | 31 | 32 | 33 |

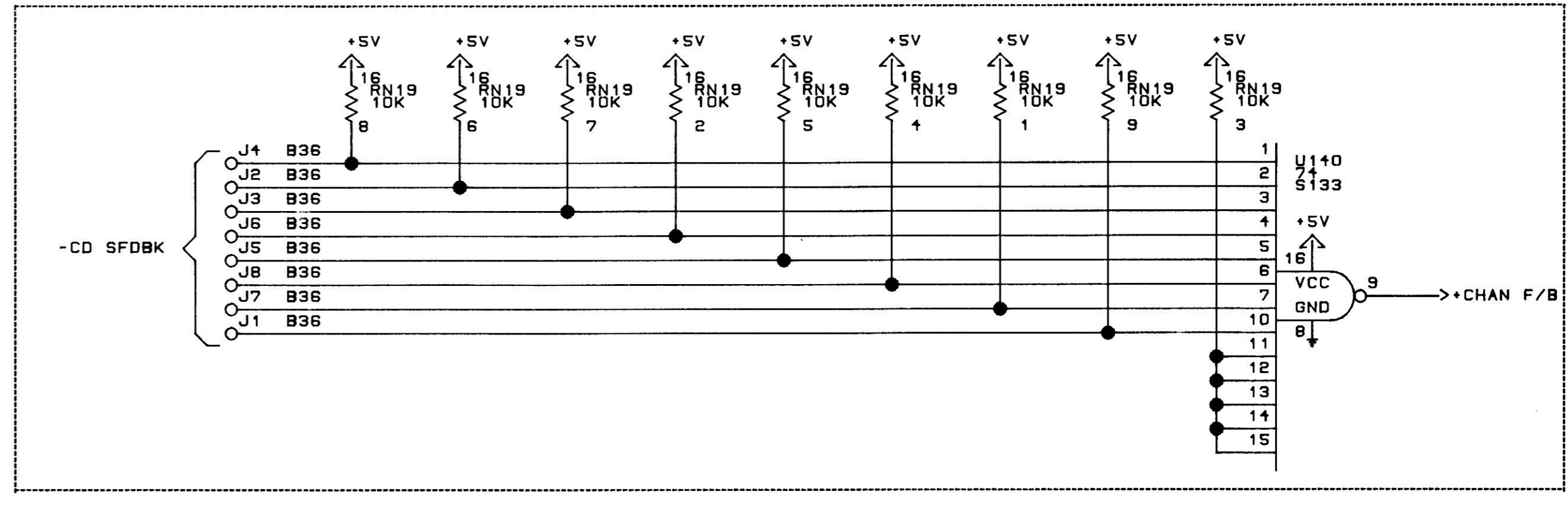
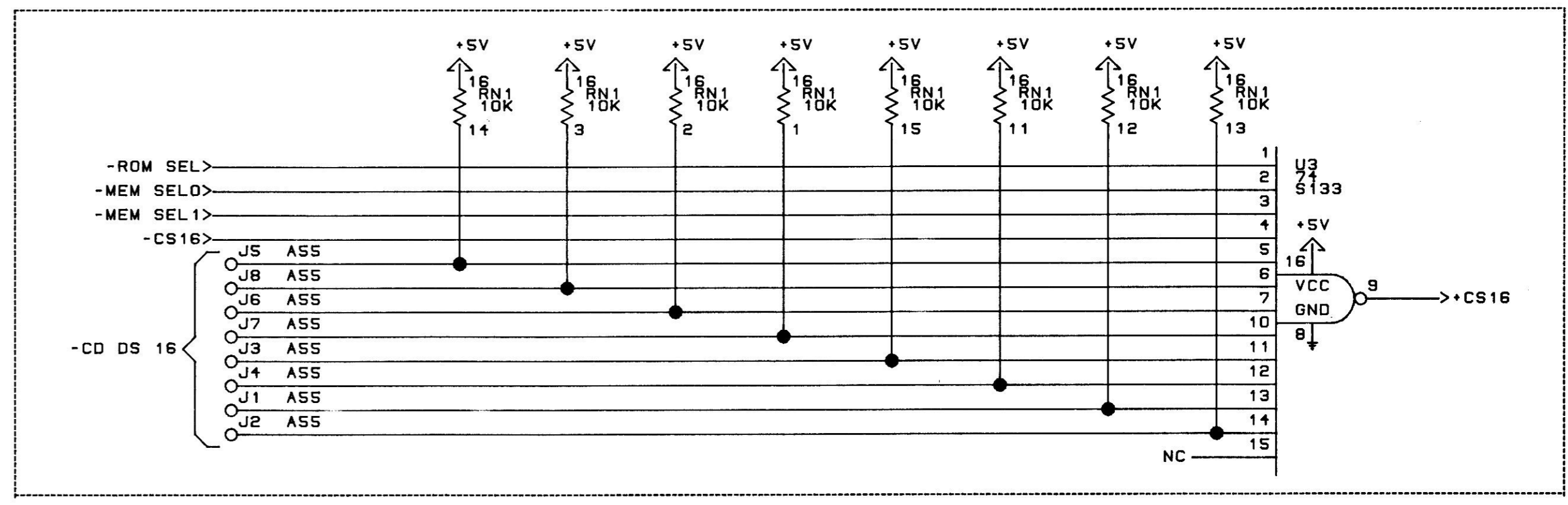
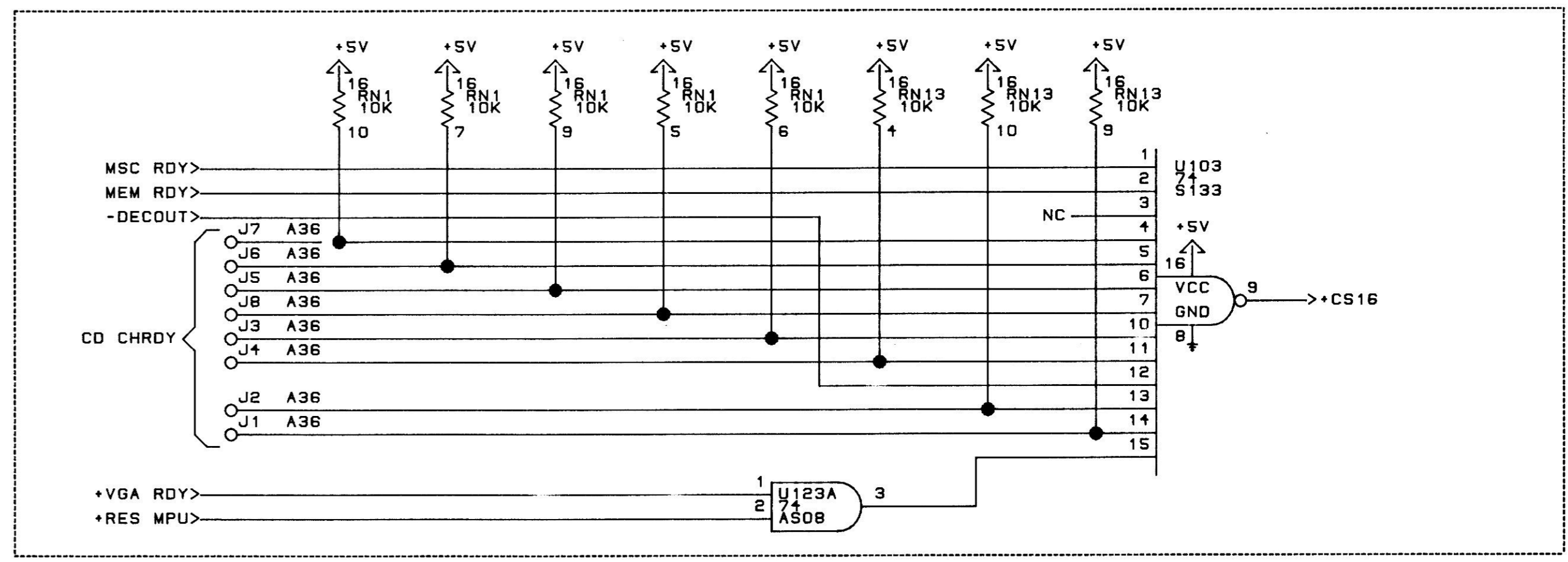
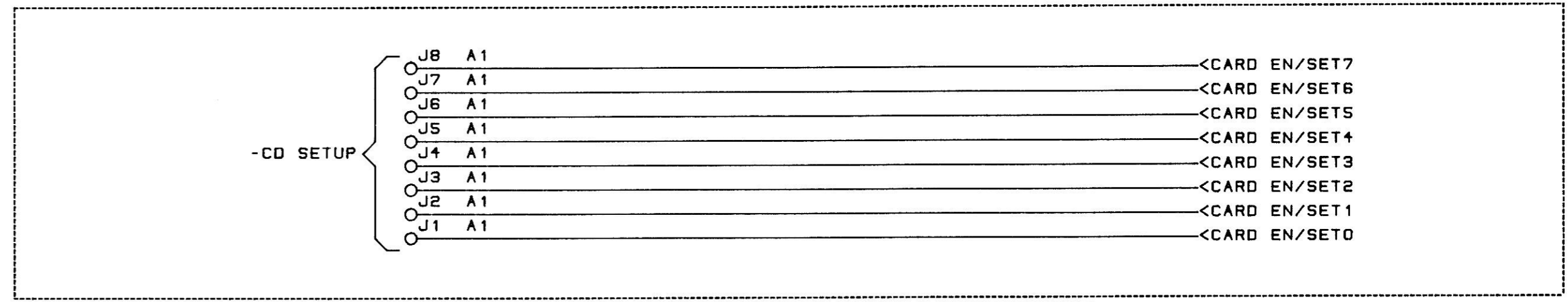
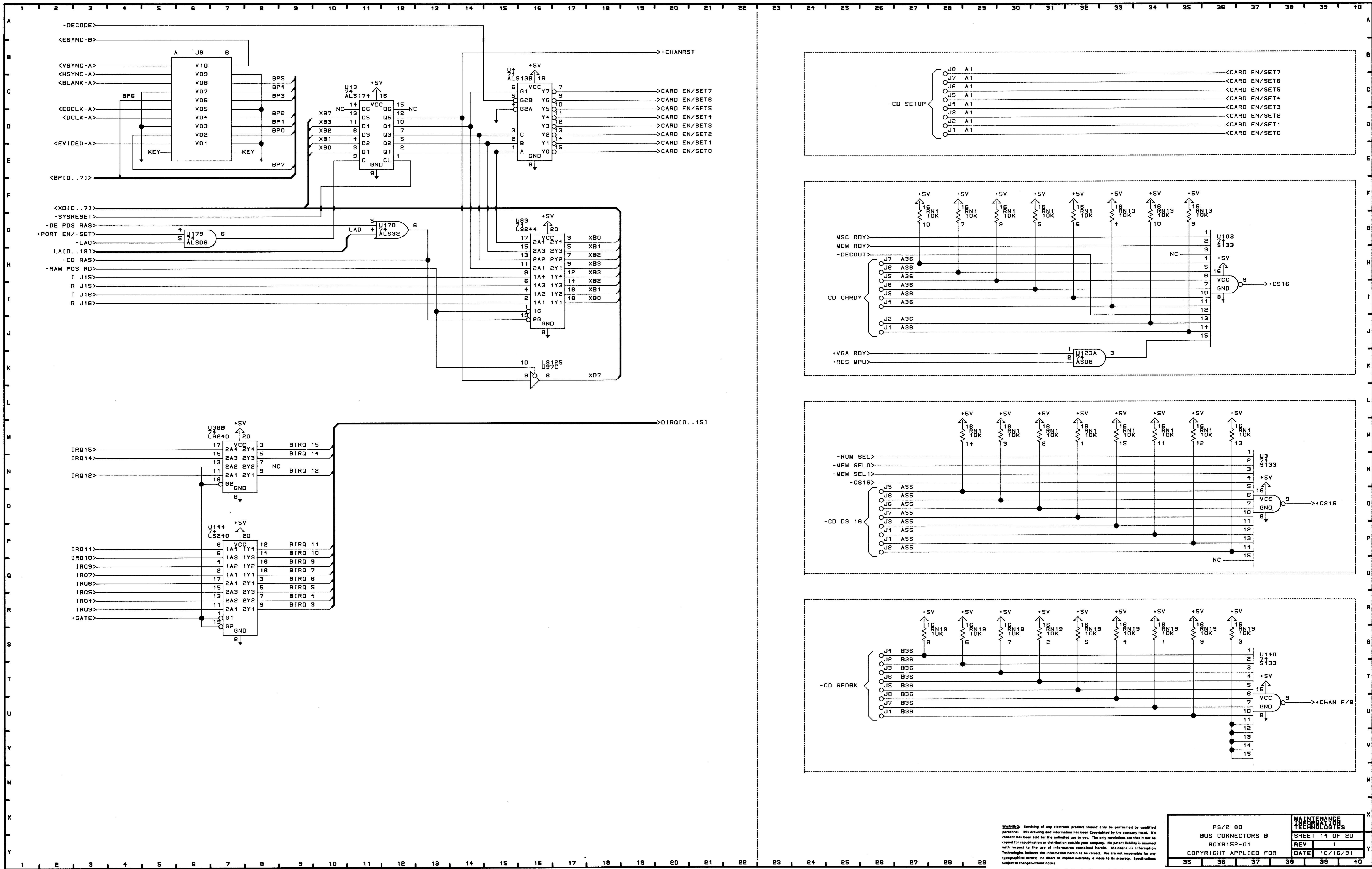


WARNING: Servicing of any electronic product should only be performed by qualified personnel. This drawing and information has been Copyrighted by the company listed. It's content has been sold for the unlimited use to you. The only restrictions are that it not be copied for reproduction or distribution outside your company. No patent liability is assumed with respect to the use of information contained herein. Maintenance Information Technologies believes the information herein to be correct. We are not responsible for any typographical errors; no direct or implied warranty is made to its accuracy. Specifications subject to change without notice.

TRADEMARKS: All logos are registered trademarks of the companies that they represent.

NOTE: Schematics are non returnable.

| | | | |
|-----------------------|----|----------------|----------|
| PS/2 80 | | MAINTENANCE | |
| DMA 1/F | | TECHNOLOGIES | |
| 90X9152-01 | | SHEET 12 OF 20 | |
| COPYRIGHT APPLIED FOR | | REV | 1 |
| | | DATE | 10/16/91 |
| 30 | 31 | 32 | 33 |

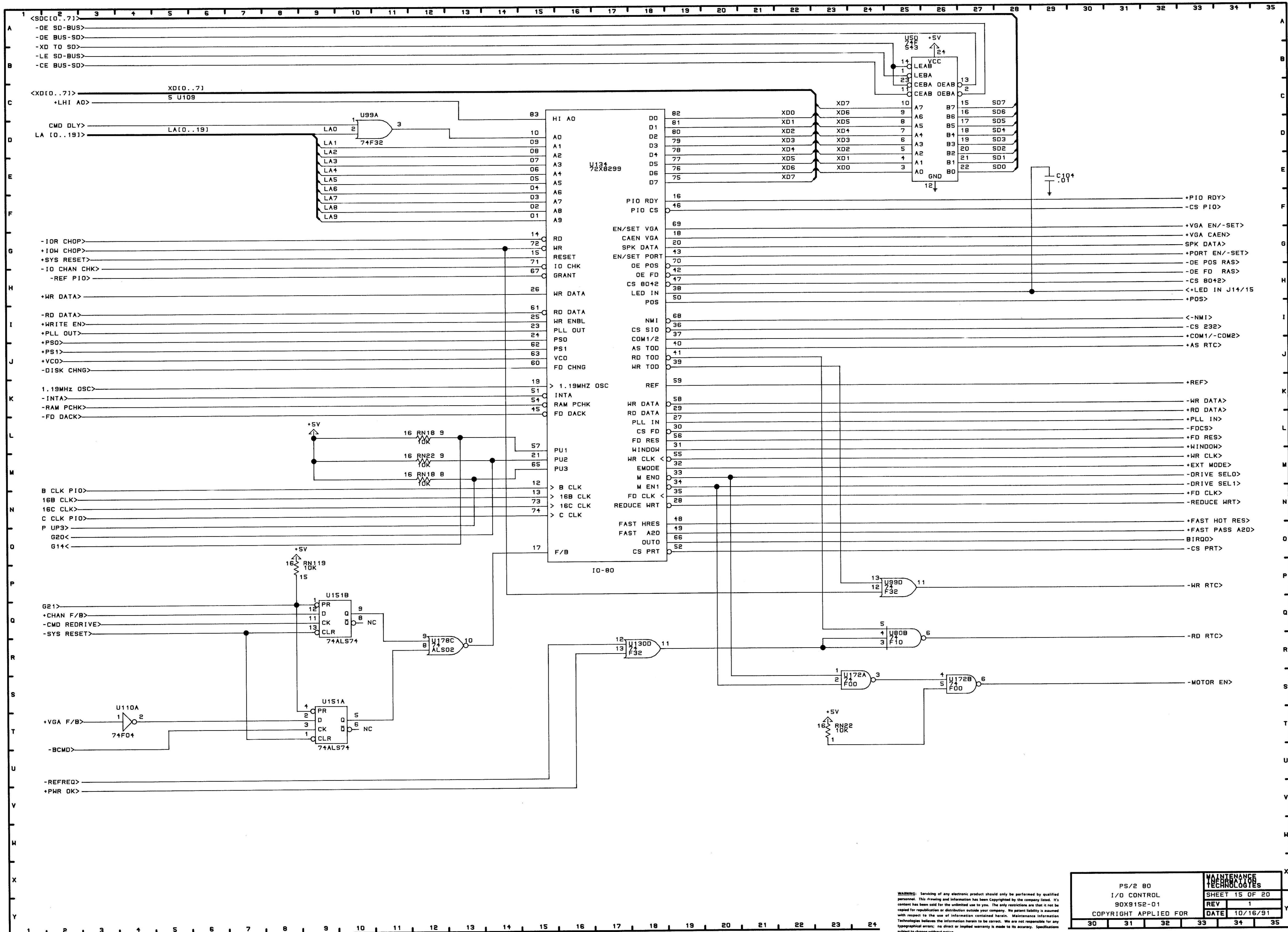


WARNING: Servicing of any electronic product should only be performed by qualified personnel. This drawing and information has been Copyrighted by the company listed. It's content has been sold for the unlimited use to you. The only restriction is that it not be copied for republication or distribution outside your company. No patent liability is assumed with respect to the use of information contained herein. Maintenance Information Technologies believes the information herein to be correct. We are not responsible for any typographical errors; no direct or implied warranty is made to its accuracy. Specifications subject to change without notice.

TRADEMARKS: All logos are registered trademarks of the companies that they represent.

NOTE: Schematics are non returnable.

| | | | |
|-----------------------|----|--------------------------|----|
| PS/2 80 | | MAINTENANCE TECHNOLOGIES | |
| BUS CONNECTORS B | | SHEET 14 OF 20 | |
| 90X9152-01 | | REV 1 | |
| COPYRIGHT APPLIED FOR | | DATE 10/16/91 | |
| 35 | 36 | 37 | 38 |

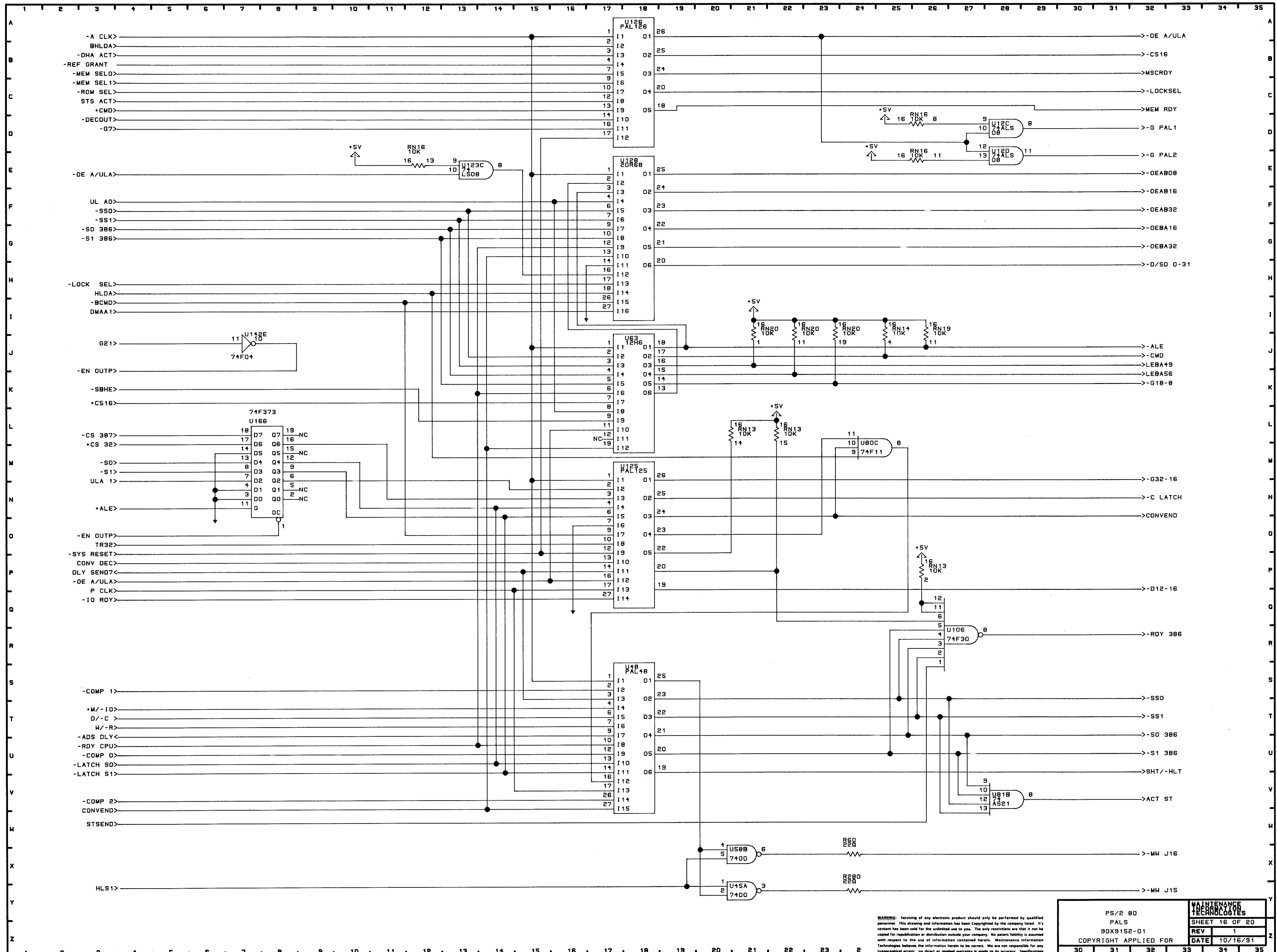


WARNING: Servicing of any electronic product should only be performed by qualified personnel. This drawing and information has been Copyrighted by the company listed. Its content has been sold for the unlimited use to you. The only restrictions are that it not be copied for republication or distribution outside your company. No patent liability is assumed with respect to the use of information contained herein. Maintenance Information Technologies believes the information herein to be correct. We are not responsible for any typographical errors; no direct or implied warranty is made to its accuracy. Specifications subject to change without notice.

TRADEMARKS: All logos are registered trademarks of the companies that they represent.

NOTE: Schematics are non returnable.

| | | | |
|-----------------------|----|--------------------------|----|
| PS/2 80 | | MAINTENANCE TECHNOLOGIES | |
| I/O CONTROL | | SHEET 15 OF 20 | |
| 90X9152-01 | | REV 1 | |
| COPYRIGHT APPLIED FOR | | DATE 10/16/91 | |
| 30 | 31 | 32 | 33 |

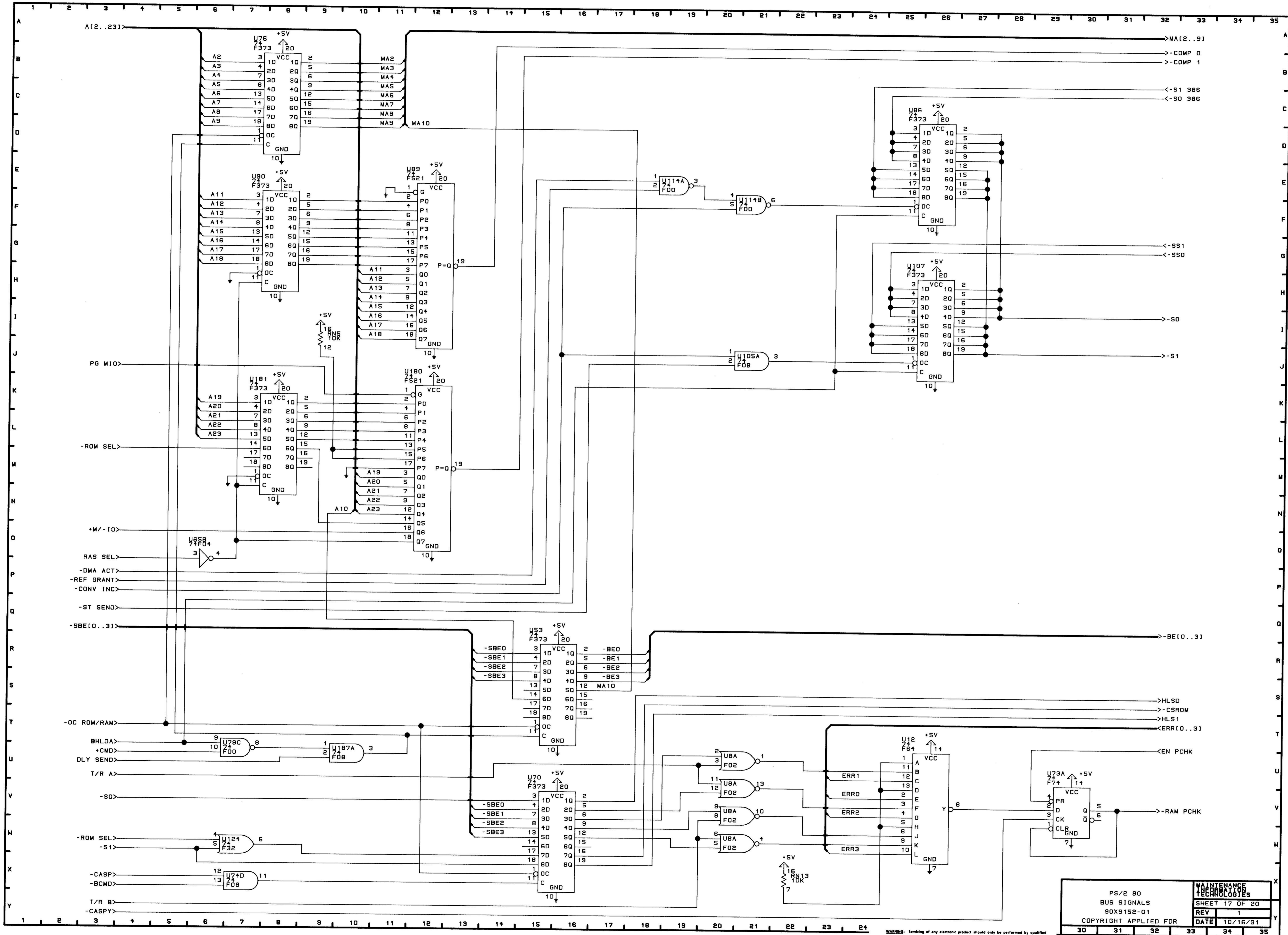


WARNING: Servicing of any electronic product should only be performed by qualified personnel. This drawing and information has been Copyrighted by the company issued. It's content has been sold for the unlimited use to you. The only restrictions are that it not be copied for republication or distribution outside your company. No patent liability is assumed with respect to the use of information contained herein. Maintenance information Technologies believes the information herein to be correct. We are not responsible for any typographical errors, no direct or implied warranty is made to its accuracy. Specifications subject to change without notice.

TRADEMARKS: All logos are registered trademarks of the companies that they represent.

NOTE: Schematics are non returnable.

| | | | |
|-----------------------|----|----------------|----|
| PS/2 80 | | MAINTENANCE | |
| PALS | | TECHNOLOGIES | |
| 90X9152-01 | | SHEET 16 OF 20 | |
| COPYRIGHT APPLIED FOR | | REV 1 | |
| | | DATE 10/16/91 | |
| 30 | 31 | 32 | 33 |
| 34 | 35 | | |

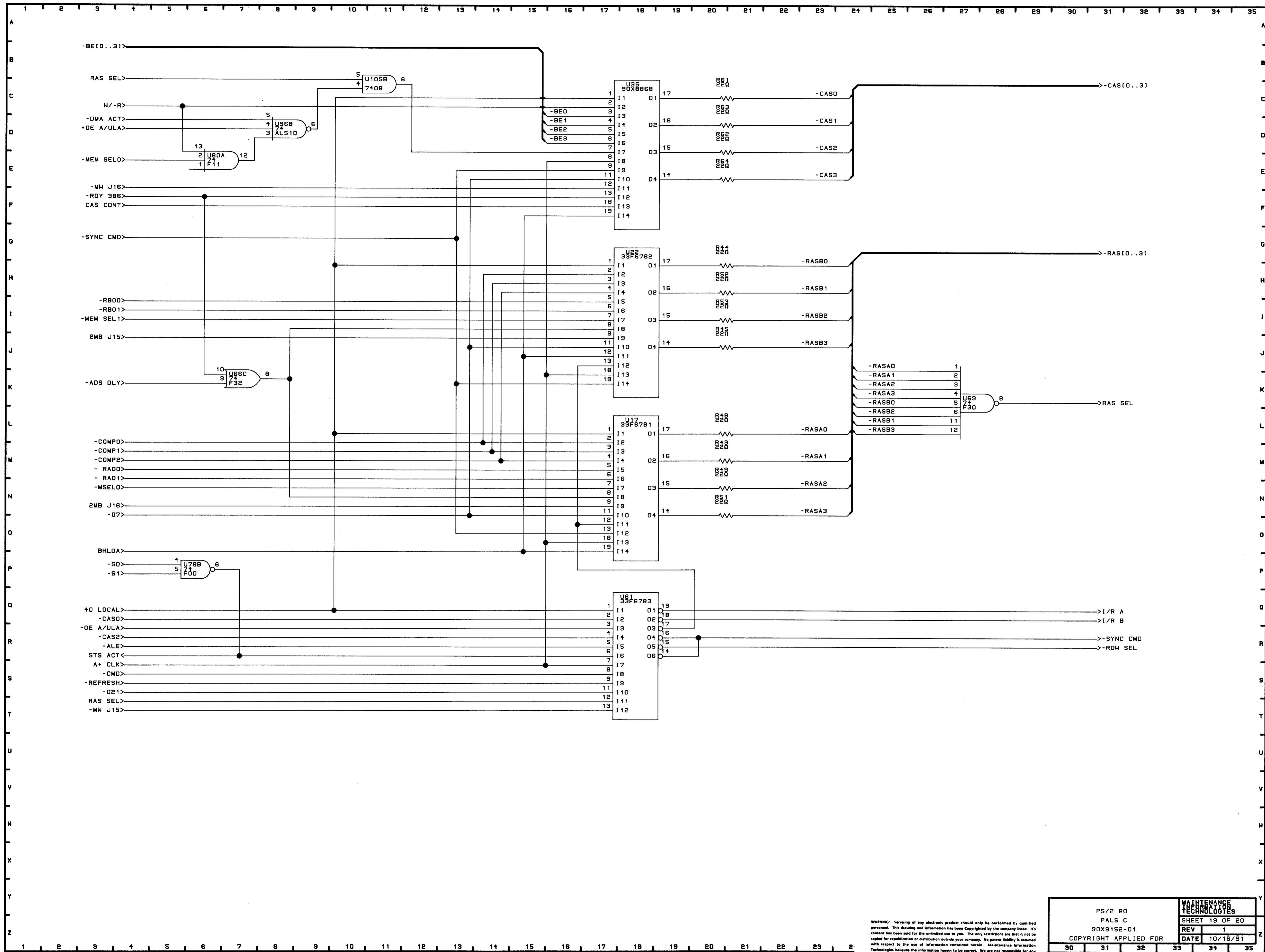


WARNING: Servicing of any electronic product should only be performed by qualified personnel. This drawing and information has been Copyrighted by the company listed. It's content has been sold for the unlimited use to you. The only restrictions are that it not be copied for republication or distribution outside your company. No patent liability is assumed with respect to the use of information contained herein. Maintenance Information Technologies believes the information herein to be correct. We are not responsible for any typographical errors; no direct or implied warranty is made to its accuracy. Specifications subject to change without notice.

TRADEMARKS: All logos are registered trademarks of the companies that they represent.

NOTE: Schematics are non returnable.

| | | | |
|-----------------------|----|--------------------------------------|----------|
| PS/2 80 | | MAINTENANCE INFORMATION TECHNOLOGIES | |
| BUS SIGNALS | | SHEET 17 OF 20 | |
| 90X9152-01 | | REV | 1 |
| COPYRIGHT APPLIED FOR | | DATE | 10/16/91 |
| 30 | 31 | 32 | 33 |

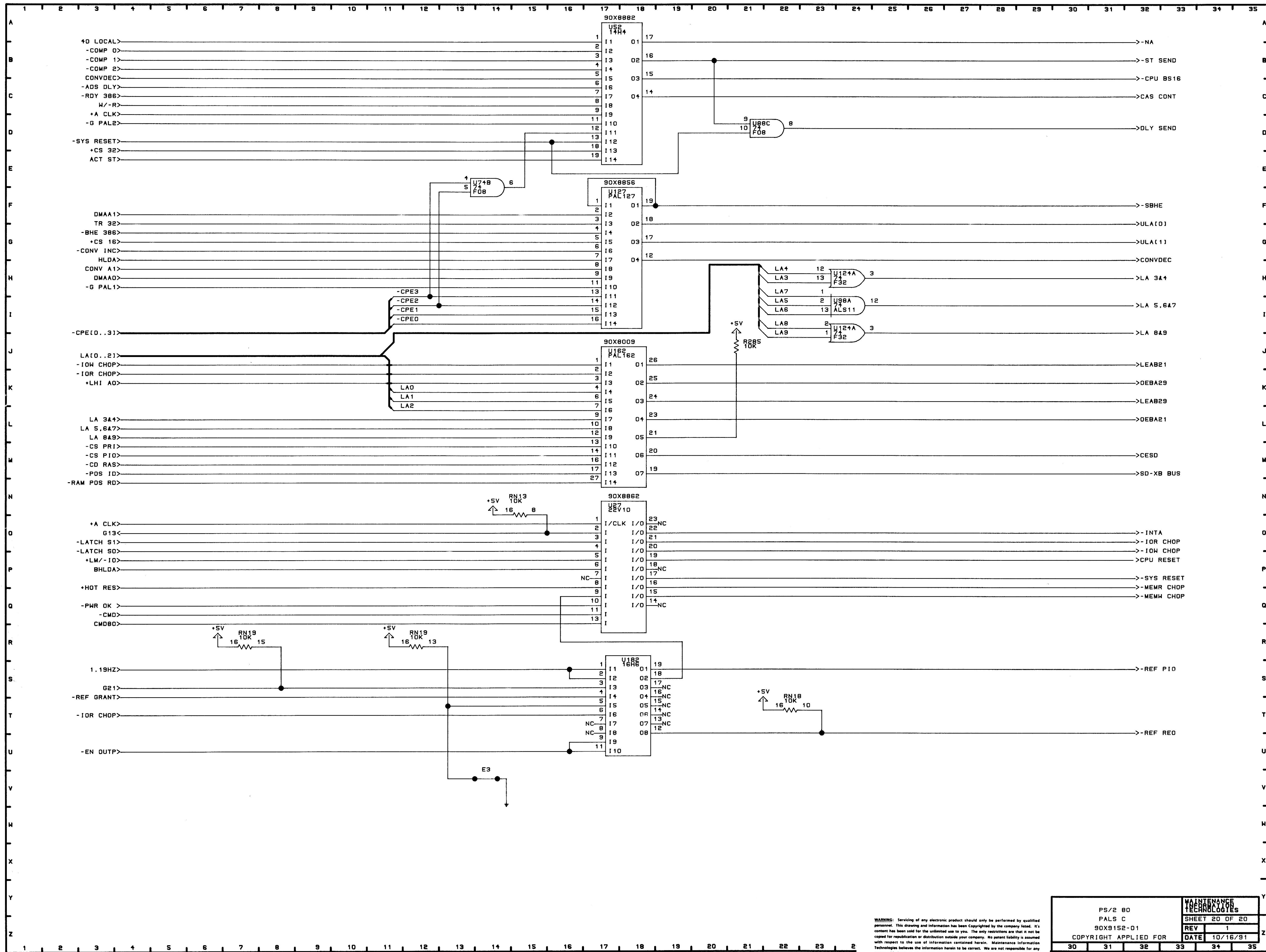


WARNING: Servicing of any electronic product should only be performed by qualified personnel. This drawing and information has been Copyrighted by the company listed. It's content has been sold for the unlimited use to you. The only restrictions are that it not be copied for reproduction or distribution outside your company. No patent liability is assumed with respect to the use of information contained herein. Maintenance Information Technicians believe the information herein to be correct. We are not responsible for any typographical errors, no direct or implied warranty is made in its accuracy. Specifications subject to change without notice.

TRADEMARKS: All logos are registered trademarks of the companies that they represent.

NOTE: Schematics are non returnable.

| | | | |
|-----------------------|----|----------------|----------|
| PS/2 80 | | MAINTENANCE | |
| PALS C | | TECHNOLOGIES | |
| 90X9152-01 | | SHEET 19 OF 20 | |
| COPYRIGHT APPLIED FOR | | REV | 1 |
| | | DATE | 10/16/91 |
| 30 | 31 | 32 | 33 |
| 34 | 35 | | |



WARNING: Servicing of any electronic product should only be performed by qualified personnel. This drawing and information has been Copyrighted by the company listed. It's content has been sold for the unlimited use to you. The only restrictions are that it not be copied for reproduction or distribution outside your company. No patent liability is assumed with respect to the use of information contained herein. Maintenance Information Technologies believes the information herein to be correct. We are not responsible for any typographical errors, no direct or implied warranty is made to its accuracy. Specifications subject to change without notice.

TRADEMARKS: All logos are registered trademarks of the companies that they represent.

NOTE: Schematics are non returnable.

| | | | |
|-----------------------|----|----------------|----|
| PS/2 80 | | MAINTENANCE | |
| PAL C | | TECHNOLOGIES | |
| 90X8152-01 | | SHEET 20 OF 20 | |
| COPYRIGHT APPLIED FOR | | REV 1 | |
| | | DATE 10/16/91 | |
| 30 | 31 | 32 | 33 |
| 34 | 35 | | |