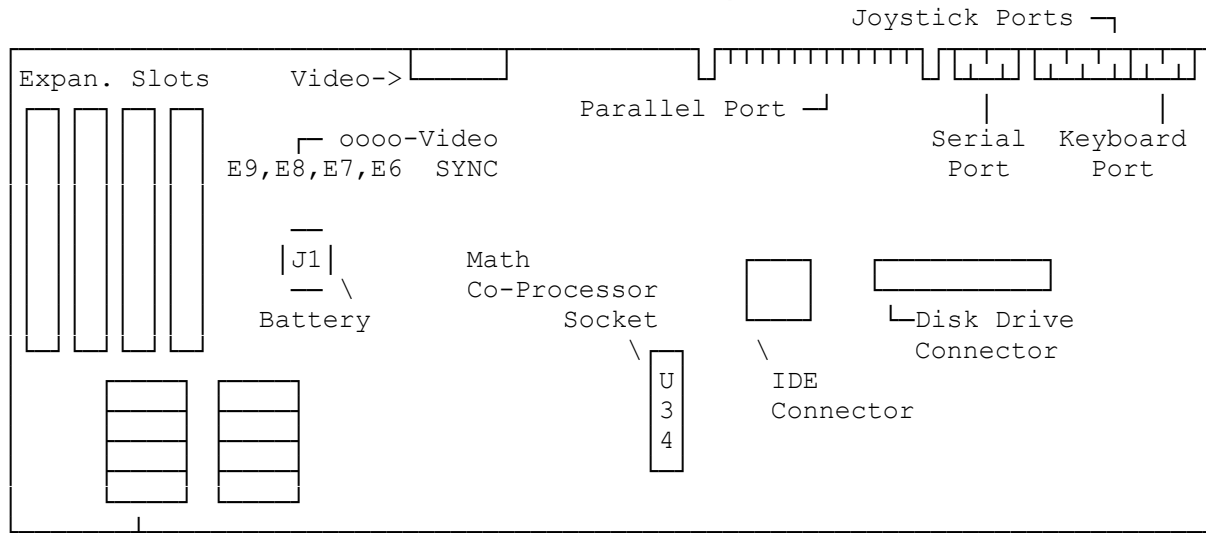
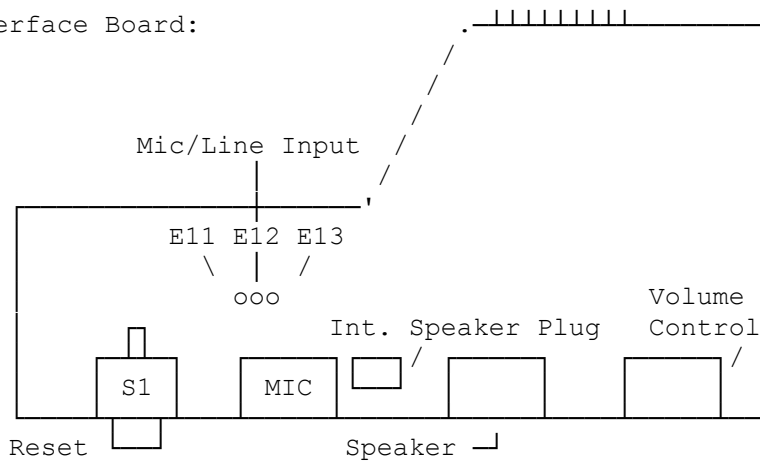


Note: Refer to Faxback Doc. # 1222 for setting this board.



Memory Upgrade Sockets

Audio Interface Board:



(rjs-05/27/93)