

The computer supports 64KB, 128KB, or 256KB of secondary cache memory.

- 64K External Cache Part # AXX-7072 has replaced AX259-7230
- 128K External Cache Part # AXX-7231 has replaced AX259-7231
- 256K External Cache Part # AXX-7071 has replaced AX259-7232

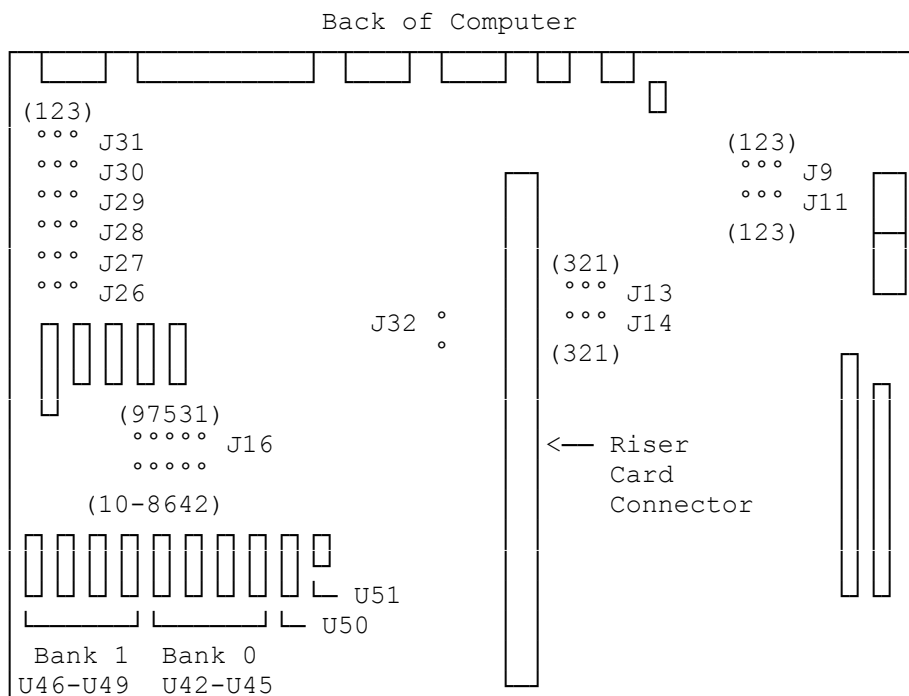
NOTE: The memory kits listed above are orderable from National Parts.

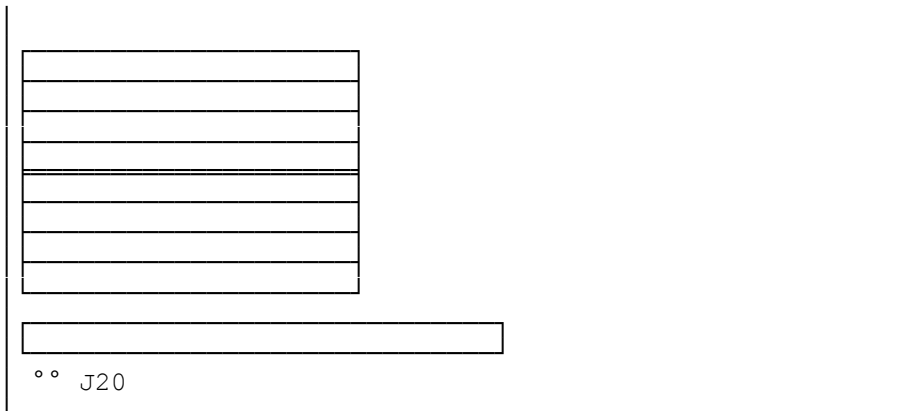
Cache Memory Configurations:

Each secondary cache memory configuration requires one 15ns dirty bit SRAM, one 15 ns tag SRAM, and four or eight 20 ns data SRAMs. The following table shows the number and type of SRAMs required for each configuration:

SRAM TYPE, LOCATION, AND SIZE				
DATA: U46-U49 (Bank 0)	DATA: U42-U45	TAG: U50	DIRTY BIT: U51	TOTAL CACHE MEMORY
8KB x 8	8KB x 8	8KB x 8	64KB x 1	64KB
32KB x 8	---	8KB x 8 or 32KB x 8	64KB x 1	128KB
32KB x 8	32KB x 8	32KB x 8	64KB x 1	256KB

Main Logic Board Layout:





Secondary Cache Memory (J16):

CACHE SIZE	J16 JUMPER SETTINGS
None	1-2,3-4,5-6,9-10 (factory settings)
64KB	No jumpers installed (remove factory jumpers)
128KB	1-2,5-6,7-8
256KB	1-2,3-4,5-6,9-10

Installing SRAMs:

Before you begin, carefully read the following steps and the cache memory kit instructions.

Note: Retain the antistatic package the SRAMs are shipped in, in case you later remove SRAMs.

To install SRAMs:

1. Turn off the computer, and disconnect all cables.
2. Discharge any accumulated static electricity from your body by touching a grounded metal object. Then, open the computer.
3. Remove any expansion adapters installed in the three-slot expansion area by removing the expansion slot screws, disconnecting any data cables, and gently moving each adapter back and forth while pulling it out of the riser card connector.
4. Install each SRAM in the appropriate socket.

Align the notch on each SRAM with the notch on the socket. Being careful not to bend the pins, press down on the SRAM until it is fully inserted.

5. Set Jumper block J16 for the new configuration. (See Above Chart)
6. Reinstall any expansion adapters you removed.
7. Be sure the internal cables are securely connected and do not cause mechanical interference. Then, close the computer.
8. Reconnect all cables.

Removing SRAMs:

Use a DIP device removal tool to remove SRAMs. Store SRAMs in an antistatic package. Set Jumper Settings above.