

CAUTION: This procedure sets CMOS RAM to the default settings. If you use this procedure, your system will not run properly until you run the setup utility and re-enter your system configuration information.

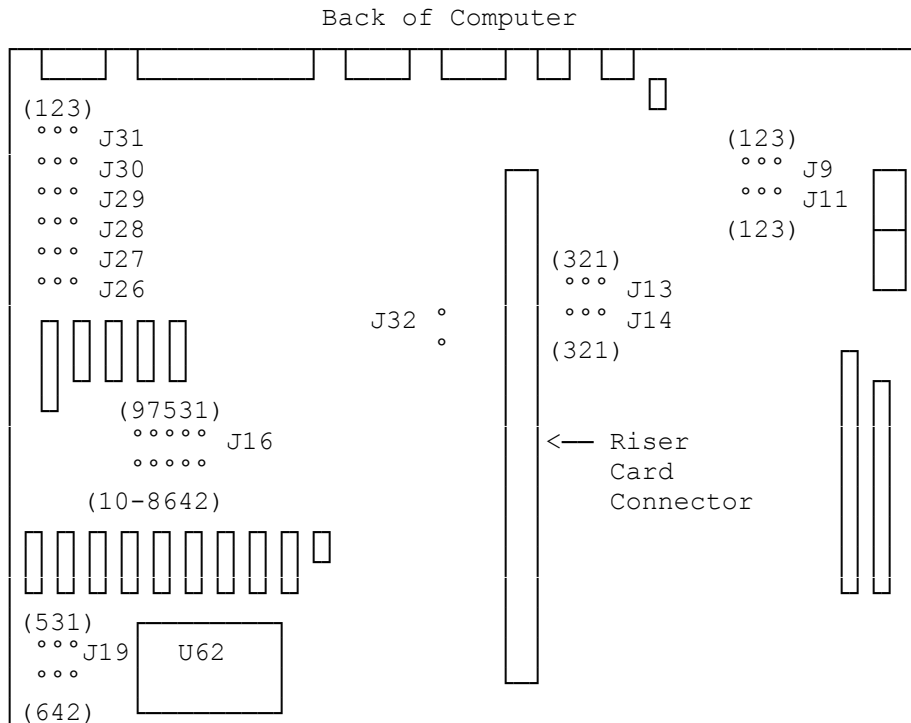
Follow these steps to clear the power on password and reset CMOS RAM to its default settings:

1. Turn off the computer, and disconnect all cables.
2. Discharge any accumulated static electricity from your body by touching a grounded metal object. Then, open the computer.
3. Remove the jumper from Jumper Block J20.
4. Close the computer.
5. Reconnect the computer power cable and the monitor cables, and turn on the computer and monitor.
6. When information appears on the screen, turn off the computer and monitor, and disconnect their cables.
7. Open the computer.
8. Reinstall the jumper on Jumper Block J20.
9. Close the computer.
10. Reconnect all cables.
11. Run the setup* utility to enter you system configuration information.

* The setup utility is started by pressing F2 during the cpu startup.

Faxback Document # 2290 will provide specific details on running the setup utility.

Main Logic Board Layout:



--

°° J20

(rjs-05/21/93)