

The jumpers on the audio adapter are preset to the most commonly used settings for the 16-bit configuration. This section describes how to change the jumper settings of the I/O address, interrupt line, and DMA channel from these default settings.

Before changing jumper settings, turn off the computer and remove the audio adapter.

Note: After you adjust the audio adapter jumper settings, you must update the SYSTEM.INI file in the Windows directory.

I/O (PORT=) ADDRESS

The I/O address is selected by Jumpers BA5, BA6, BA7, and BA8. To change the I/O address from the default of 220 hexadecimal to 240 hexadecimal, remove the jumper from BA6 and connect the jumper on BA5.

BA 8	BA7	BA6	BA5	Port (Base) Address	I/O Address	Offset Address
ON	ON	ON	OFF	220h*	220h-22Fh*	620h-62Fh*
ON	ON	OFF	ON	240h	240h-24Fh	640h-64Fh

* Indicates factory setting.
This jumper information is found in the CONFIG.SYS and SYSTEM.INI files.

INTERRUPT (INT=) FOR AUDIO DMA

ISEL1	ISEL0	INTERRUPT
ON	OFF	5
OFF	ON	7
OFF*	OFF*	10

* Indicates factory setting.
This information is found in the SYSTEM.INI file.

INTERRUPT FOR CD-ROM

IRQ3	IRQ11	INTERRUPT
ON	OFF	3
OFF*	ON*	11

* Indicates factory setting.
This information is found in the CONFIG.SYS file.

HDMA (HDMA=) CHANNEL

The settings for the DMA jumpers must be different for the audio and CD-ROM channels. These jumpers cannot share the same channels.

HDMA JUMPER	AUDIO DMA	CD-ROM DMA
ON	DMA Channel 5	DMA Channel 6
OFF*	DMA Channel 6	DMA Channel 5

* Indicates factory setting. This jumper information is found in the SYSTEM.INI file.
 The CD-ROM DMA setting is found in the CONFIG.SYS file.

LDMA (DMA) CHANNEL

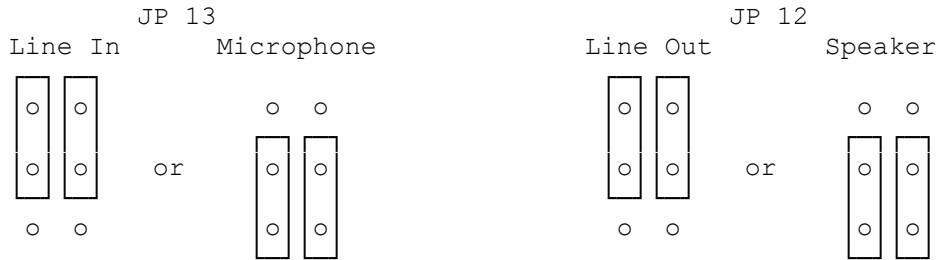
LDMA	
ON*	DMA1
OFF	DMA3
* Indicates factory setting.	

GAME PORT ENABLE

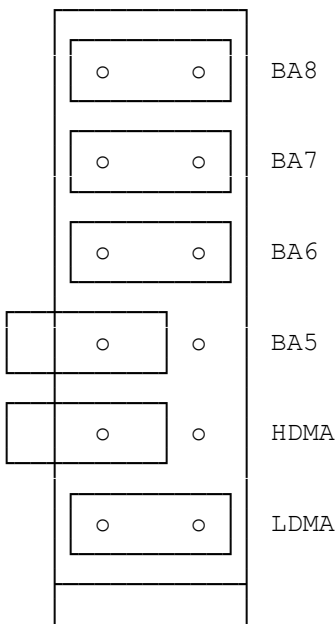
GAMEDIS	JOYSTICKS
ON*	Enabled
OFF	Disabled
* Indicates factory setting.	

Note: The joystick jumpers are preset to enable you to connect joysticks to the audio adapter.

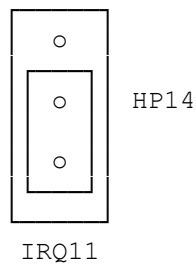
Microphone and Speaker Jumper Settings:

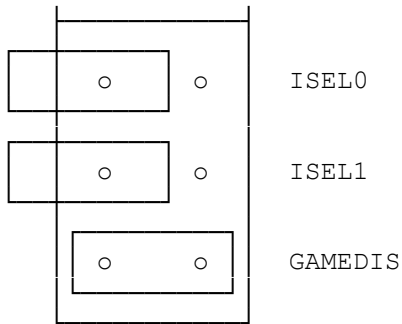


I/O ADDRESS



CD-ROM INTERRUPT
 IRQ3





Updating the SYSTEM.INI File:

After you adjust the audio adapter jumper settings, you must update the SYSTEM.INI file in the Windows directory and reboot your computer.

CAUTION: The SYSTEM.INI file should never be copied over. Edit the file directly to make changes.

Use the Notepad accessory in Windows to open and edit the SYSTEM.INI file. For information on using Notepad in Windows, refer to the Introducing Windows with Multimedia manual.

In the SYSTEM.INI file, look for the following lines and replace port (base address), interrupt, dma, and hdma with the values selected by the new jumper settings.

```
[Multimedia.Setup]
audio=sb16snd.drv port,interrupt,301

[SNDBLST.DRV]
port=port
int=interrupt
dma=dma
hdma=hdma
```

For example, a possible change to the information in the SYSTEM.INI file could be this:

Existing jumper information:	Replace with:
<pre>[Multimedia.Setup] Tandydma=1 Tandyhdma=6 audio=sb16snd.drv,220,10,301 display=pvga480</pre>	<pre>[Multimedia.Setup] Tandydma=1 Tandyhdma=6 audio=sb16snd.drv,240,7,301 display=pvga480</pre>
<pre>[SNDBLST.DRV] port=220 int=10 dma=1 hdma=6 MasterVolume=15,15 FMVolume=6,6</pre>	<pre>[SNDBLST.DRV] port=240 int=7 dma=1 hdma=5 MasterVolume=15,15 FMVolume=6,6</pre>

```

CDVolume=9,9
LineVolume=1,1
VoiceVolume=9,9

```

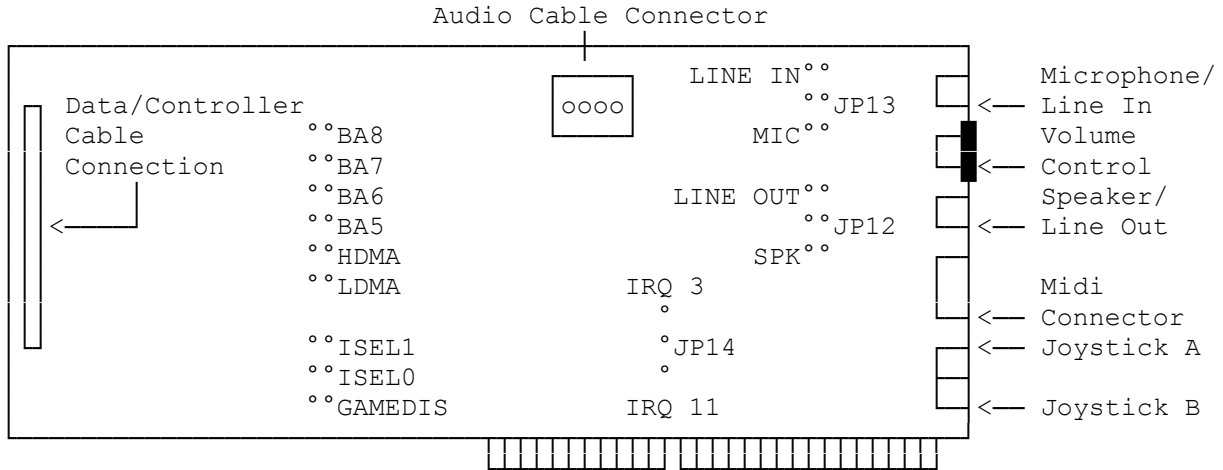
```

CDVolume=9,9
LineVolume=1,1
VoiceVolume=9,9

```

Note: This information must also be changed in the CONFIG.SYS file.

Interface Board Layout:



(rjs-06/01/93)