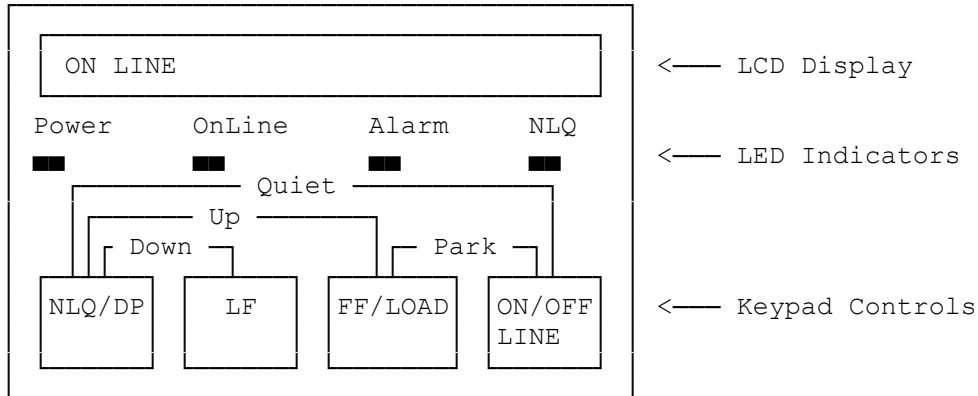


Control Panel:

This printer has no DIP switches; instead it has non-volatile memory. Whether the printer is turned on or off, it remembers the various printer settings. You can control all printer modes and functions directly from the DMP-2130's control panel.

The control panel has four keypad controls, four LED lights, and one liquid crystal display (LCD).



Keypad Controls:

ON/OFF LINE: Press to toggle between on line and off line. The printer can receive data when it is on line. To operate some of the control panel functions, you must set the printer to off line.

ON/OFF LINE + FF/LOAD: Retracts the paper to the park position.

ON/OFF LINE + LF: Enters the menu setting mode.

LF (LINE FEED): Press [LF] while the printer is off line to advance the paper one line. Press and hold [LF] to continuously advance the paper.

FF/LOAD: Press [LF/LOAD] while the printer is off line to load the paper. If paper is in the printer, the paper ejects (single sheet) or advances to the next TOF position (fanfold).

To perform the self test, press and hold [FF/LOAD] as you turn on the printer. See Faxback Document # 4208 for more information on performing a self test.

To enter the hex dump mode, press and hold [LF] and [FF/LOAD] as you turn on the printer. See Faxback Document # 4209 for more information on using the hex dump feature.

NLQ/DP: Press [NLQ/DP] to switch between draft or NLQ mode while the LCD displays ON LINE, OFF LINE or TEAR OFF POS. The LCD then displays

the newly selected mode for approximately one second.

NLQ/DP + ON/OFF LINE: Selects between normal and quiet printing. The LCD then displays the newly selected mode for approximately one second. In the quiet printing mode, the DMP-2130 prints using a two-pass method for quieter printing.

Note that you can use this function also during the self test.

NLQ/DP + LF: Advances the paper 1/72-inch in a forward direction. Press and hold these buttons to advance the paper repeatedly in 1/72-inch increments.

To get a printout of the set-up parameters stored in memory, press and hold [NLQ/DP] AND [LF] while you turn on the printer.

NLQ/DP + FF/LOAD: Moves the paper 1/72-inch in the reverse direction. Press and hold these buttons to feed the paper backward repeatedly in 1/72-inch increments.

Indicators:

POWER Indicator (Green): Lights when the printer is turned on.

ON LINE Indicator (Green): Lights when the printer is on line and ready to print. This indicator is off when the printer is off line.

ALARM Indicator (Amber): Blinks if a printer error occurs. This indicator goes off when the error is corrected.

NLQ Indicator (Green): Lights when the printer is in the Near Letter Quality mode.

LCD Display:

The LCD indicates the printer status.

MESSAGE	MEANING
ON LINE	On-line status
OFF LINE	Off-line status
INITIAL TEST	Initial test is executing
INITIAL TEST OK	Finished Initial test and OK
NLQ	NLQ font is selected
DRAFT	Draft font is selected
NORMAL	Quiet print mode off
QUIET	Quiet print mode on
TEAR OFF POS.	Current paper position is tear-off position
REMOVE PAPER	Remove paper (after parked single-sheet paper)
HEX DUMP MODE	Hex dump mode and on-line status
HEX DUMP OFF LINE	Hex dump mode and off-line status

SELF TEST

| Self print test mode

When an error occurs, an error message appears on the control panel, the ALARM indicator flashes, and the buzzer sounds. After you correct the problem indicated, the ALARM indicator goes off, ON LINE appears on the control panel, and printing resumes.

(dte-07/26/93)