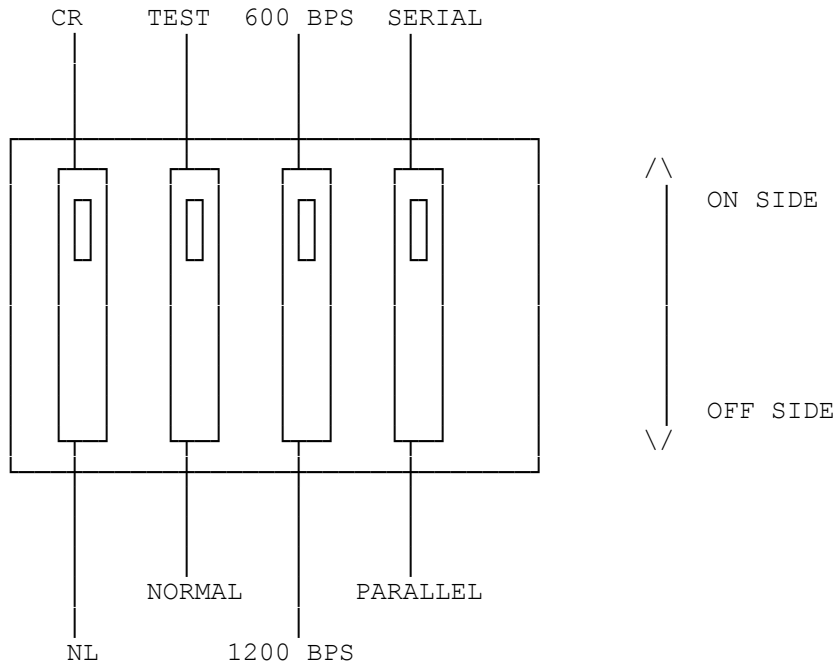


SETTING PRINT FUNCTION SWITCHES

There are four switches located at the right rear of the Printer. These switches allow you to customize some of the DMP-120 features for your own applications.

When you receive the DMP-120, all switches should be set to OFF (i.e., in the down position). By setting certain switches ON, before turning the DMP-120's power ON, you can select different baud rates, interface modes, etc.

POSITION	SYMBOL	OFF	ON
1	NL/CR	CR code generates CR + LF operation.	CR code causes only Carriage Return operation
2	NORMAL TEST	Normal Operation is activated.	Self Test pattern is generated automatically.
3	1200 BPS 600 BPS	When the Serial Interface is available, transmission rate is set to 1200 BPS.	When the Serial Interface is available, transmission rate is set to 600 BPS.
4	Parallel Interface	Parallel Interface is available.	Serial Interface is available.



(abo-07/26/93)