

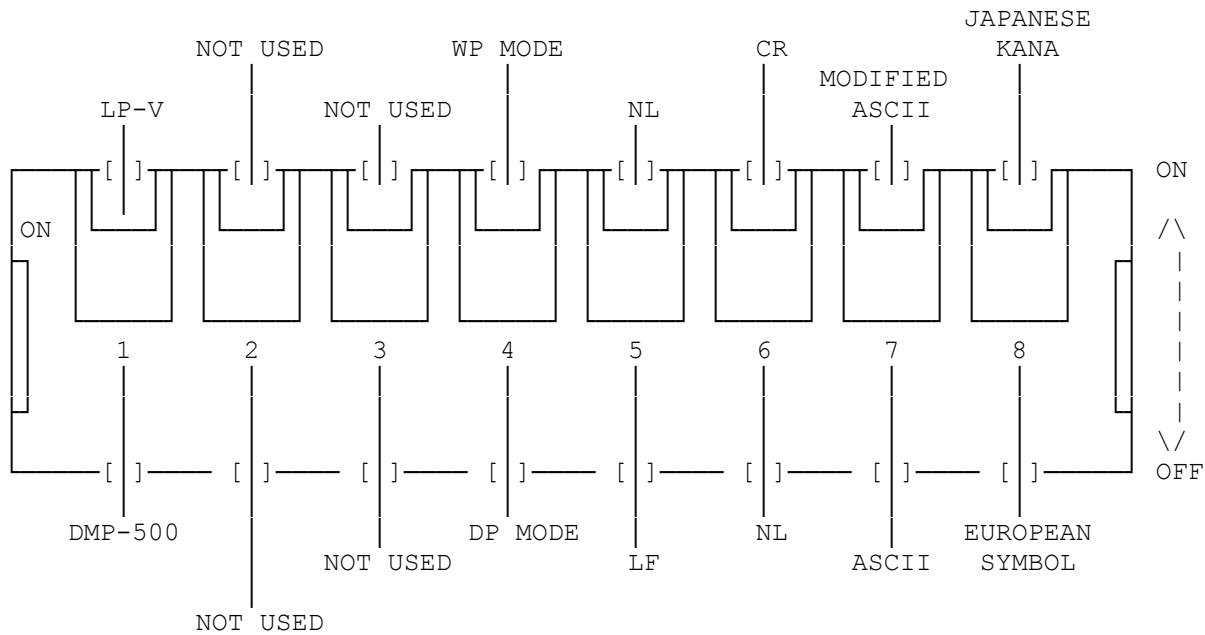
SETTING PRINT FUNCTION SWITCHES

There are 8 switches located at the left rear of the Printer. These Switches allow you to customize some of the DMP-500 features for your own applications.

for instance, by setting the appropriate Switches before turning the DMP-500's power ON, you can select Word Processing Mode (better print quality) or Data Processing Mode (higher printing speed).

When you receive the DMP-500, all Switches should be set to OFF (i.e., in the down position).

REMEMBER!! The Printer power must be OFF before you change any of the switches.



If you've been using a Radio Shack Line Printer V (26-1165) and still have applications programs that are designed to run on the LP V, Switch #1 has been included for your convenience.


This Switch allows the DMP-500 to treat some codes just like the LP V.

For instance, CHR\$(27);CHR\$(19) is used to set the LP V into Graphic Mode. However, the DMP-500 uses a CHR\$(18) to go into Graphic Mode. Therefore, because Switch #1 has been provided, you won't have to change the program if it uses a CHR\$(27);CHR\$(19) to set the Printer into Graphic Mode--just set Switch #1.

When Switch #1 is in the "up" position (ON), the Line Printer V codes are used.

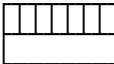
When Switch #1 is in the "down" position (OFF), the new DMP-500 codes are used.

NEW DMP-500 CODES

If switch #1 is set to OFF  | then the following codes are used:  
 v

IF YOU WANT TO:	USE CHR\$( ) CODE:
Start Graphic Mode	18
End Graphic Mode	30
Start Elongation	27 14
End Elongation	27 15
Standard Character	27 19
Condensed Character	27 20
End Bold Character	27 32
Half Reverse Line Feed	27 30

LINE PRINTER V COMMAND CODES

If Switch #1 is set to ON  ^ then these codes are used:  
 |

IF YOU WANT TO:	USE CHR\$( ) CODE:
Start Elongation	31
End Elongation	30
Standard Character	27 15
Condensed Character	27 14
End Bold Character	27 30
Half Reverse Line Feed	27 32

REMEMBER!! Only change DIP Switch settings when the power is OFF.

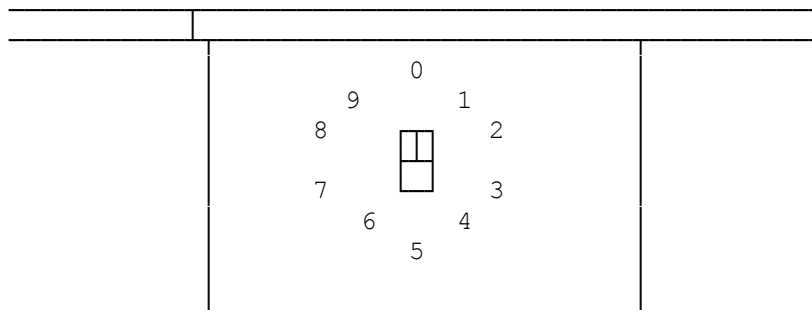
SETTING THE ROTARY SWITCH

The Rotary Switch is located inside the DMP-500, just behind the Front Panel.

On power-up, it is used to select the desired character pitch (i.e., number of characters per inch--CPI). Always set the Switch when the power is OFF. This is also referred to as character spacing since the DMP-500 adjusts the space between the font style characters you have selected. The Switch can be set by hand, but a small screwdriver makes the job much easier.

When setting the Switch, the vertical groove must be positioned to the number you want.

ROTARY SWITCH SET TO POSITION 0



ROTARY SWITCH SETTINGS

POSITION		CHARACTER SPACING
0	Normal	10 CPI
1	Compressed	12 CPI
2	Condensed	16.7 CPI
3	Proportional	
4		
5	Correspondence	10 CPI
6	Quality	
7		
8	Normal	10 CPI
9	Compressed	12 CPI

(dte-07/27/93)