

There are currently 4 different versions of the 250-4161 board. They are the 250-4161, 250-4161A, 250-4161B, and the 250-4161C. The way to tell them apart is as follows.

250-4161: This was the first board Tandy sold. This board will run in asynchronous mode only (J1, pin pair 1 must be off. The large surface mount IC at position U20 will be marked as AIC-6250.

250-4161A: This was the second version Tandy sold. It looks essentially identical to the 250-4161 except that (1) J1, pin pair 1 is jumpered, which means it can run in synchronous mode; and (2) the large surface mount IC at position U20 is marked AIC-6250DL.

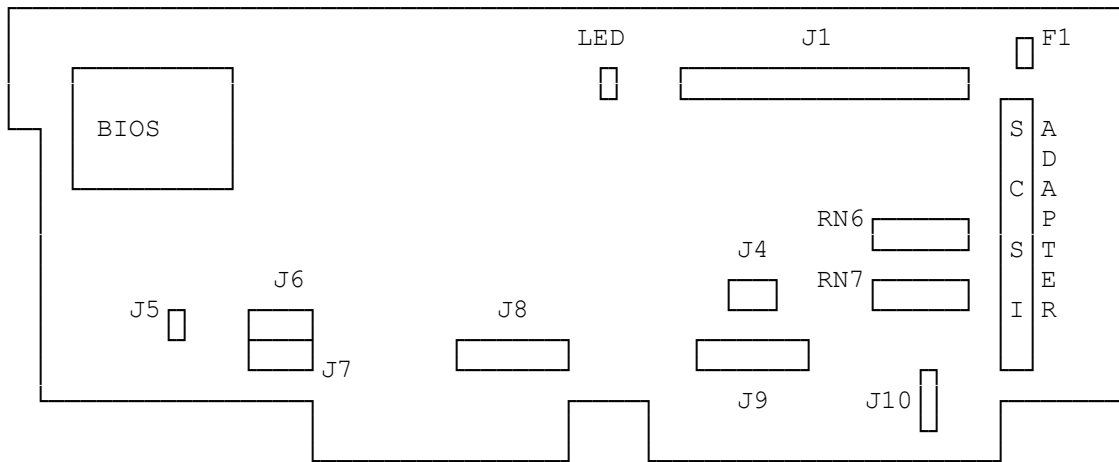


Figure 1. 250-4161 and 250-4161A

25-4161B: This is the third version of the board. It is quite different from the 250-4161 and 250-4161A. Most IC's are surface mounted, the jumpers are different and there is an external connector on the back of the board. This board, like the 250-4161A, is capable of synchronous mode and is jumpered as such.

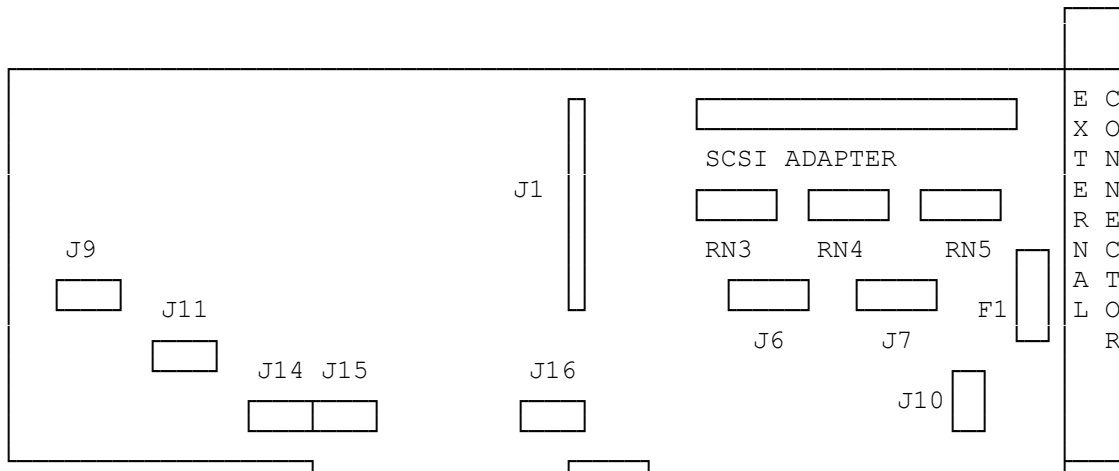




Figure 2. 250-4161B

25-4161C: This is the fourth version of the board. It is completely different from the other three, being shorter, having an external connector, and being capable of synchronous mode.

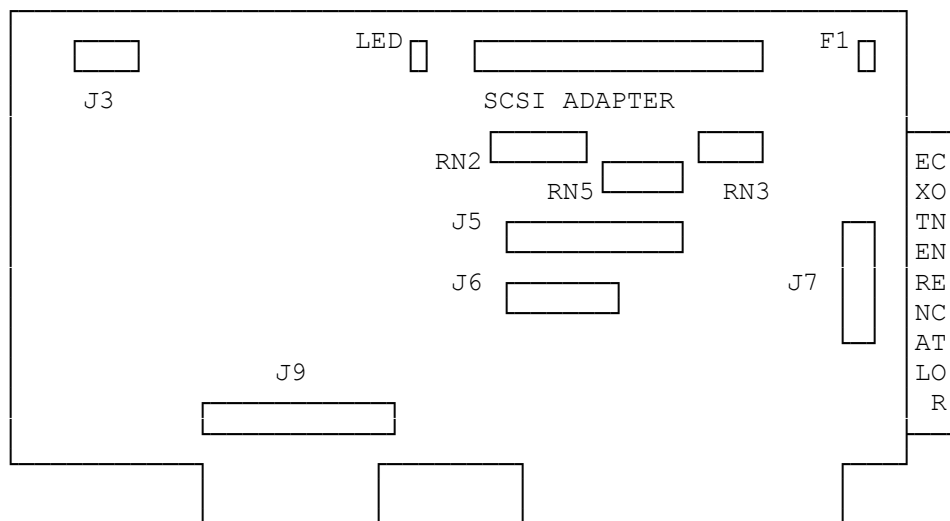


Figure 3. 250-4161C

---

(SMM/jlc-03/27/94)