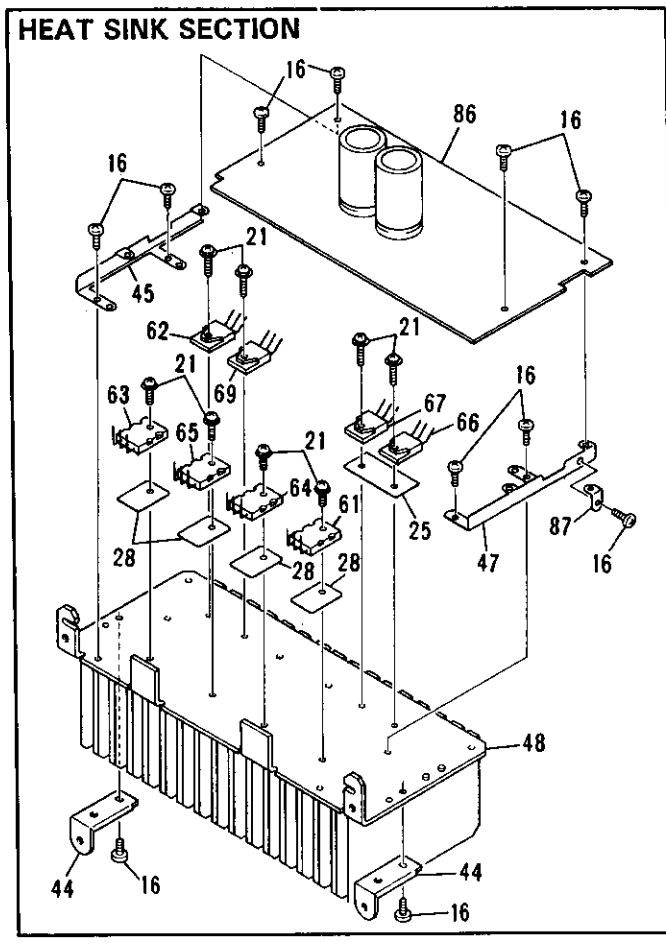
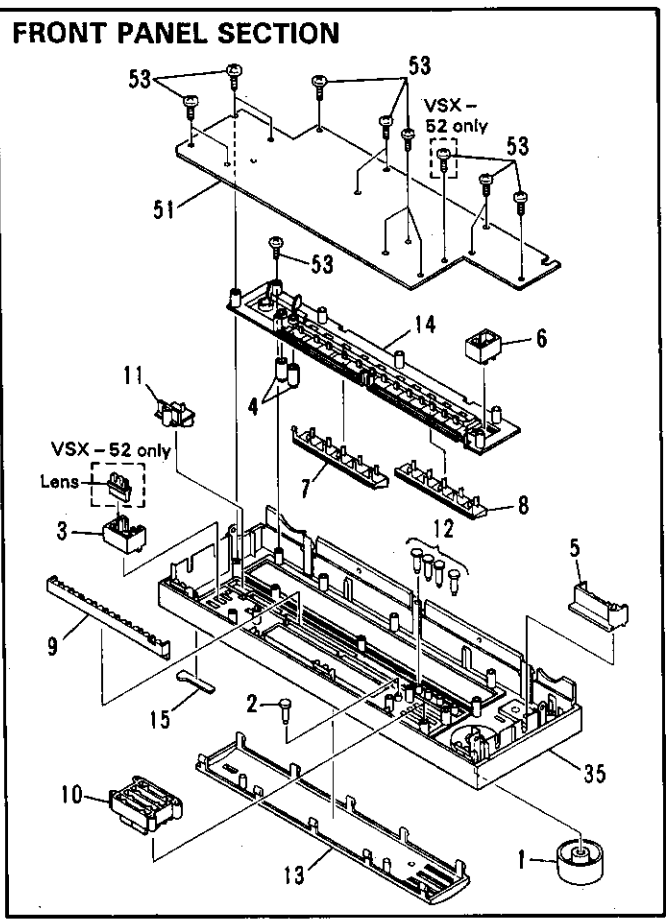
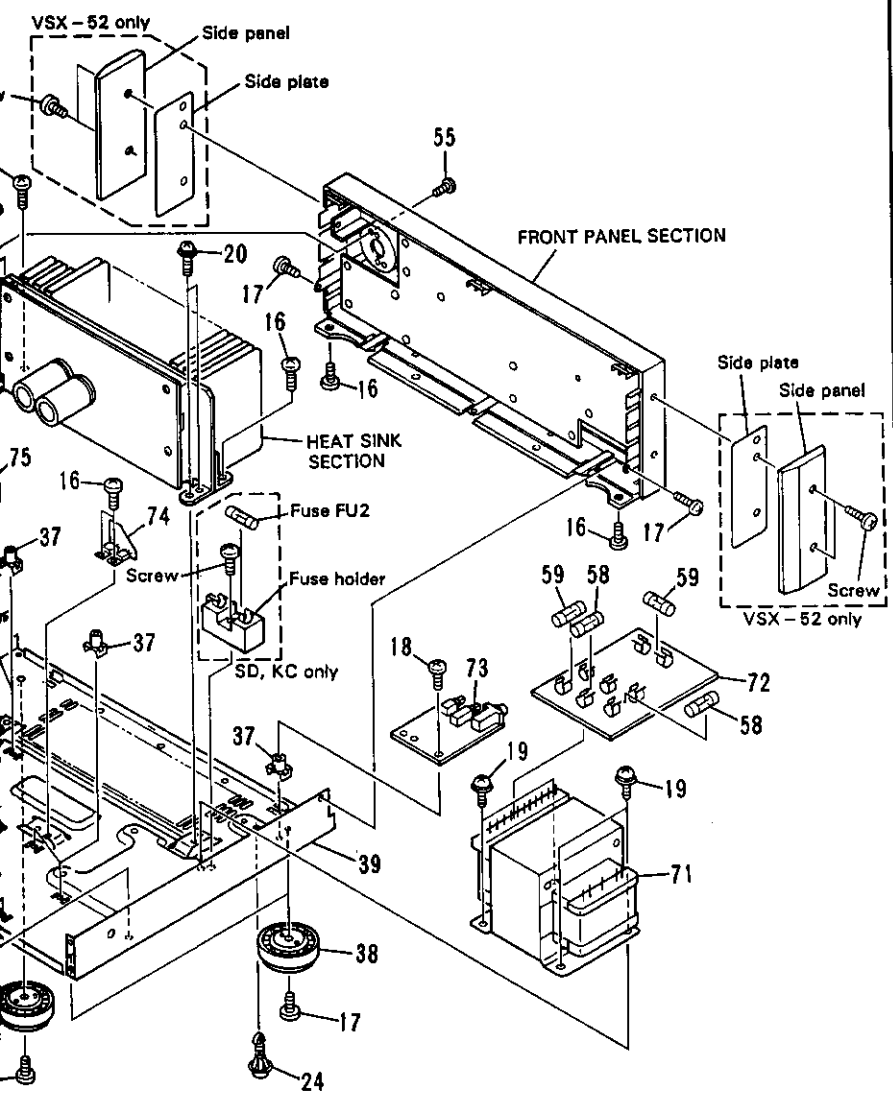


**MODEL STAV-3300 DIGITAL SYNTHESIZED
AUDIO/VIDEO DOLBY PRO-LOGIC
SURROUND RECEIVER SHEET #2 (31-3024)
FAXBACK DOC # 10104**



**CONTINUED ON
SHEET # 1**