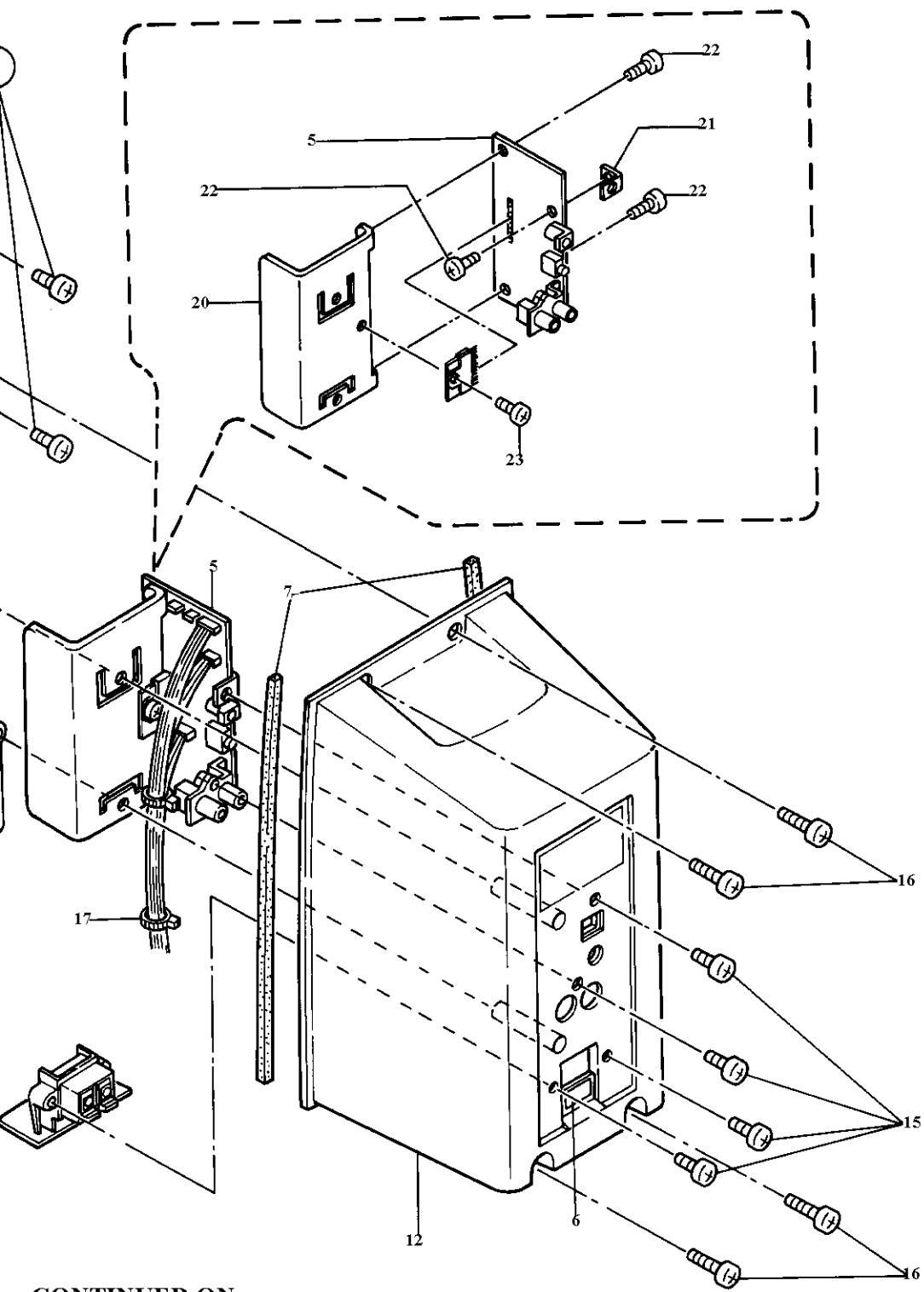


**AMX-15 AMPLIFIED SPEAKER  
SYSTEM RIGHT SPEAKER  
SHEET # 2 (40-1362)  
FAXBACK DOC # 10143**



**CONTINUED ON  
SHEET # 1**