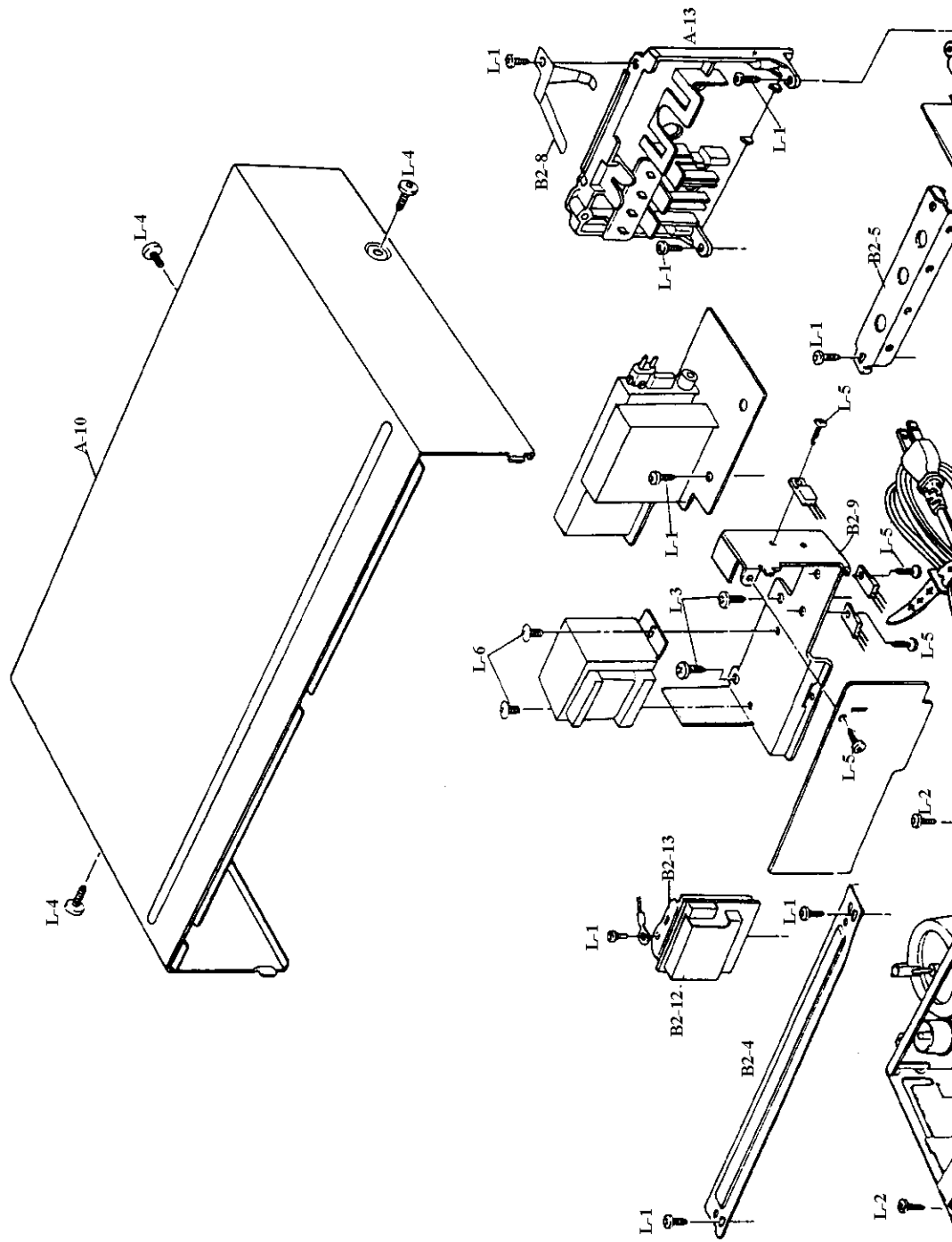


**MODEL 21 VIDEO CASSETTE RECORDER
CABINET SHEET # 1 (160-0510)
FAXBACK DOC # 10360**



CONTINUED ON
SHEET # 1

