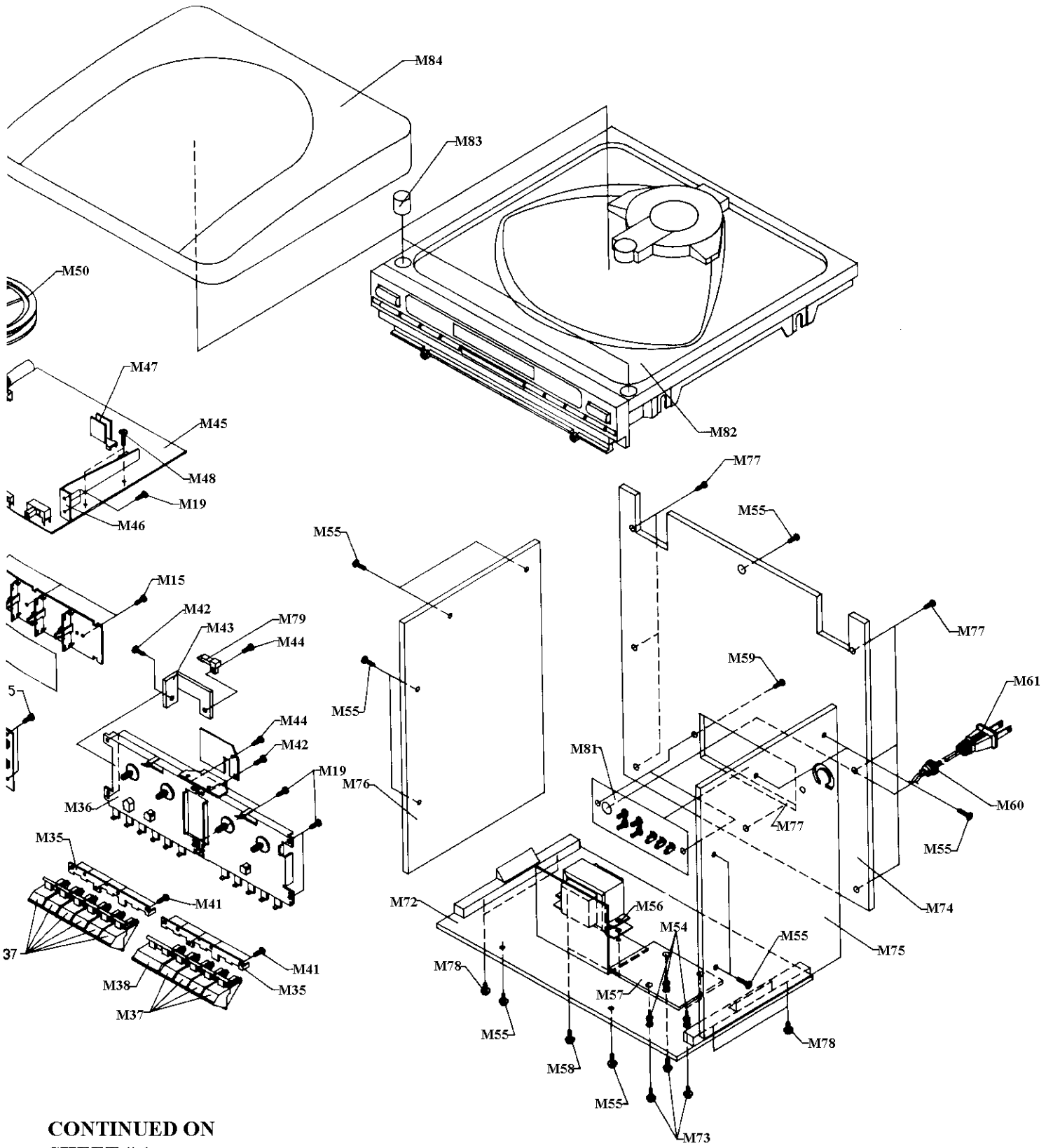


**RACK SYSTEM 1037
CHASSIS SHEET # 2 (130-1259)
FAXBACK DOC # 10366**



**CONTINUED ON
SHEET # 1**