

DMP-2130 DOT MATRIX PRINTER
RIGHT SIDE (260-2845)
FAXBACK DOC # 10583

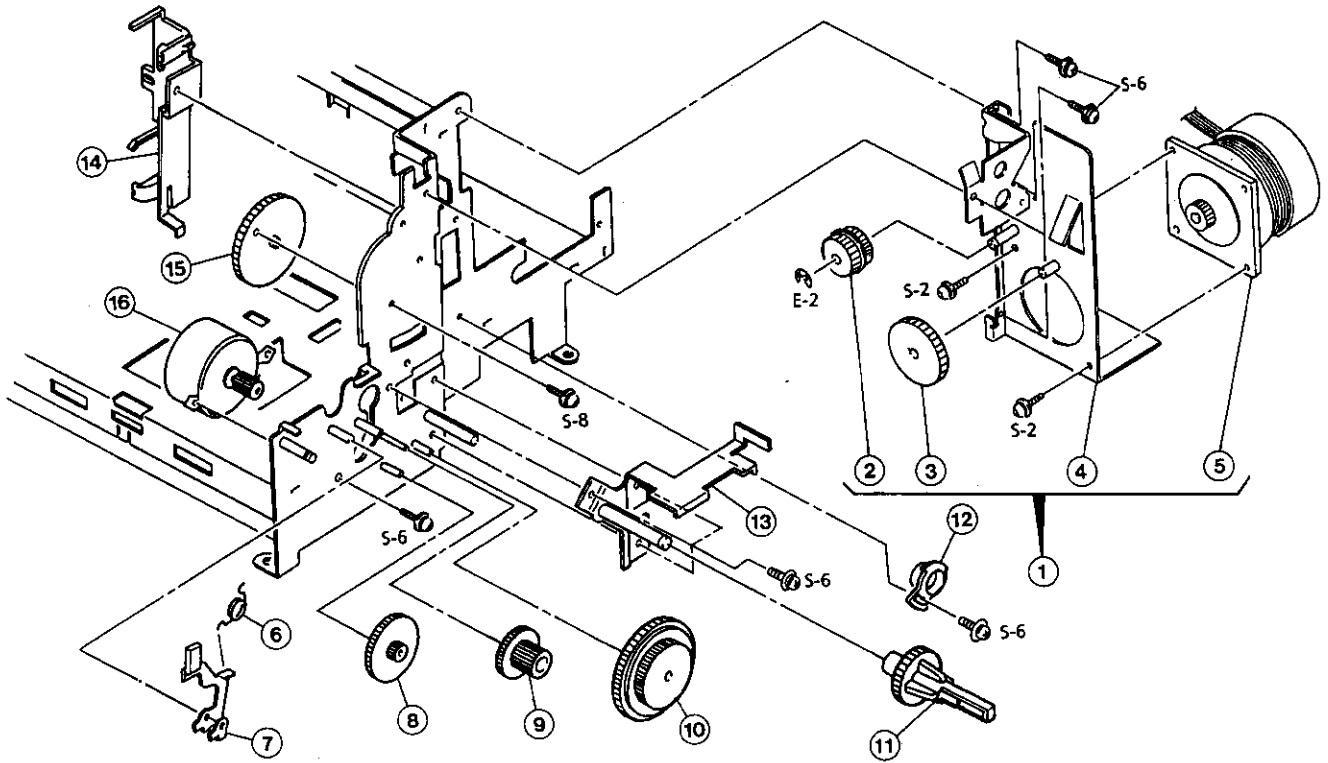


Figure 65