

DMP-2130 DOT MATRIX PRINTER  
POWER SUPPLY PCB (260-2845)  
FAXBACK DOC # 10584

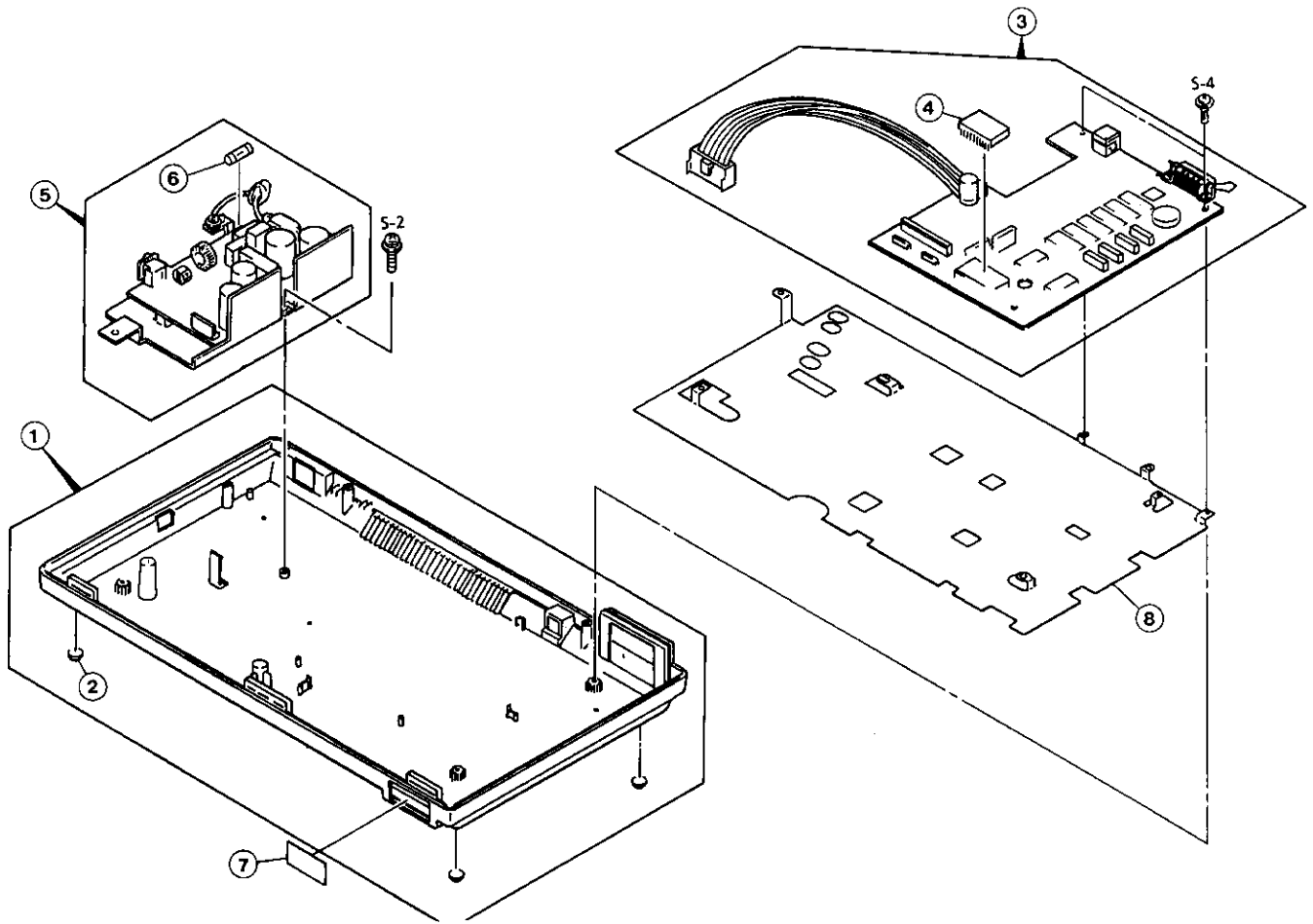


Figure 66