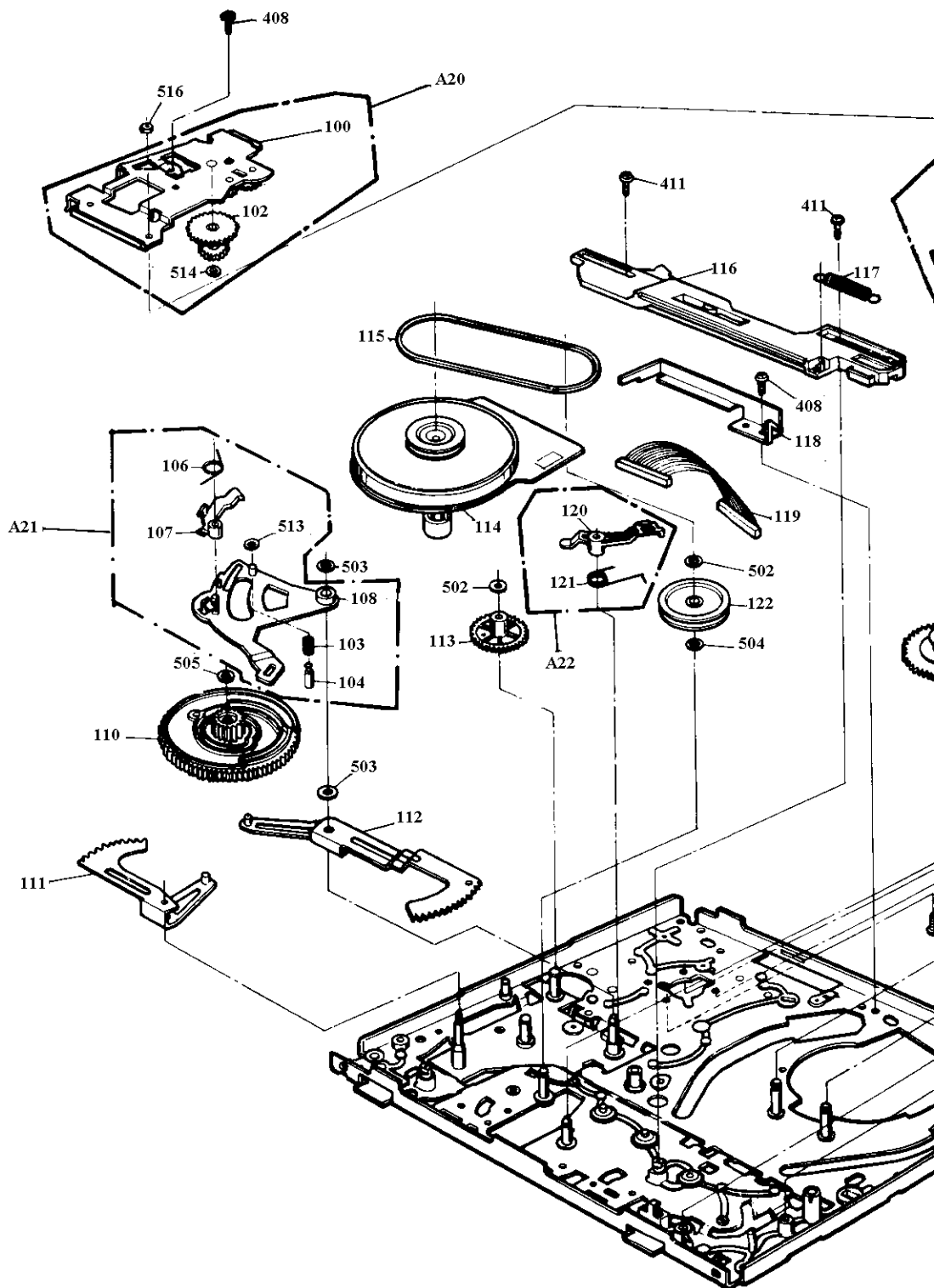


**13-INCH TVCR MOVING
MECHANISM II SHEET # 1 (160-0415)
FAXBACK DOC # 10753**



13-INCH TVCR MOVING
MECHANISM II SHEET # 2 (160-0415)
FAXBACK DOC # 10753

